

Varian, Inc.
Vacuum Technologies



Turbo-V Pumps

Features and Benefits 2-3

Typical Applications 4-7

Pump Models 8-27

Pump Controllers 28-33

Accessories 34-35

Technical Notes 36-43

Service and Support Plan 44-47

Inspiring Excellence



VARIAN

Turbo-V Pump Features and Benefits



Wide Pumping Speed Range: 70 to 6,000 l/s

Varian offers a complete range of turbomolecular pumps, to cover all possible applications and market segments.

High Speed, High Compression

Maximizing performance at minimum cost and size: this is our design mission. Our use of technology ensures maximum performance without compromising pump size, cost, or reliability. We use our technologies to meet the mainstream of our customers' applications, providing them with high performance, reliable pumping solutions at a competitive cost.



Very High Foreline Tolerance

Working with a foreline pressure as high as 18 mbar yields a substantial advantage: the size of the primary pump can be significantly reduced such that even a backing pump as small as the 5 m³/hr SH-100 (dry) or DS 102 can be used to operate our V 301 Navigator in all its pumping profiles. Thanks to one of the features of the MacroTorr® technology you can now reduce the cost of your vacuum system and get better performance at the same time.



On Board Controller "Plug & Pump" Ready-to-Use Navigator SW

Operating and controlling a turbomolecular pump has never been so simple. Thanks to our Navigator Software you can connect your laptop directly to the pump control unit and start to use it. You can start or stop the pump, as well

as check its temperature and gas load conditions. You can also monitor pump parameters over time, as well as do straightforward diagnostics directly on the vacuum system with a click of the mouse in the Windows™ based environment. From buttons to charts to dialoggers, everything is simple in our Navigator Software.



State-of-the-Art MacroTorr® Technology

The most effective pumping stage technology currently available.

Thanks to this powerful Varian innovation you can:

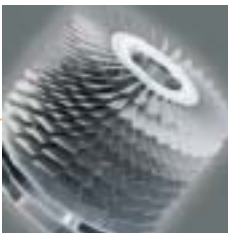
- maximize the throughput of the pump
- extend the foreline tolerance up to 18 mbar
- increase the compression ratio by decades, most notably for light gases without compromising the size or weight of the pump. In fact, the MacroTorr® stages set in the V301 Navigator is hosted in the space of one inch.



Designed for Very High Gas Load Operation

Varian has been always focused on high throughput applications. Thanks to state-of-the-art numerical modeling tools, pumping stages are designed to minimize the power consumption.

Special care is given to the thermal design of the cooling fins and the internal temperature distribution, to ensure efficient operation.



Monolithic Rotor

Our patented cutting tools and EDM process, combined with a sophisticated CAD/CAM manufacturing operation, allow Varian to produce pump rotors from a single piece of high tech aluminum alloy. This major technological achievement improves the life of the pump for different reasons:

- the weight of the rotor is minimized, allowing installation of the pump in absolutely any position without compromising the pump performance
- the lighter the pump structure, the lower the stresses on the material and on the bearings themselves, resulting in longer pump life!



Highly Reliable, Maintenance-Free Ceramic Ball Bearings

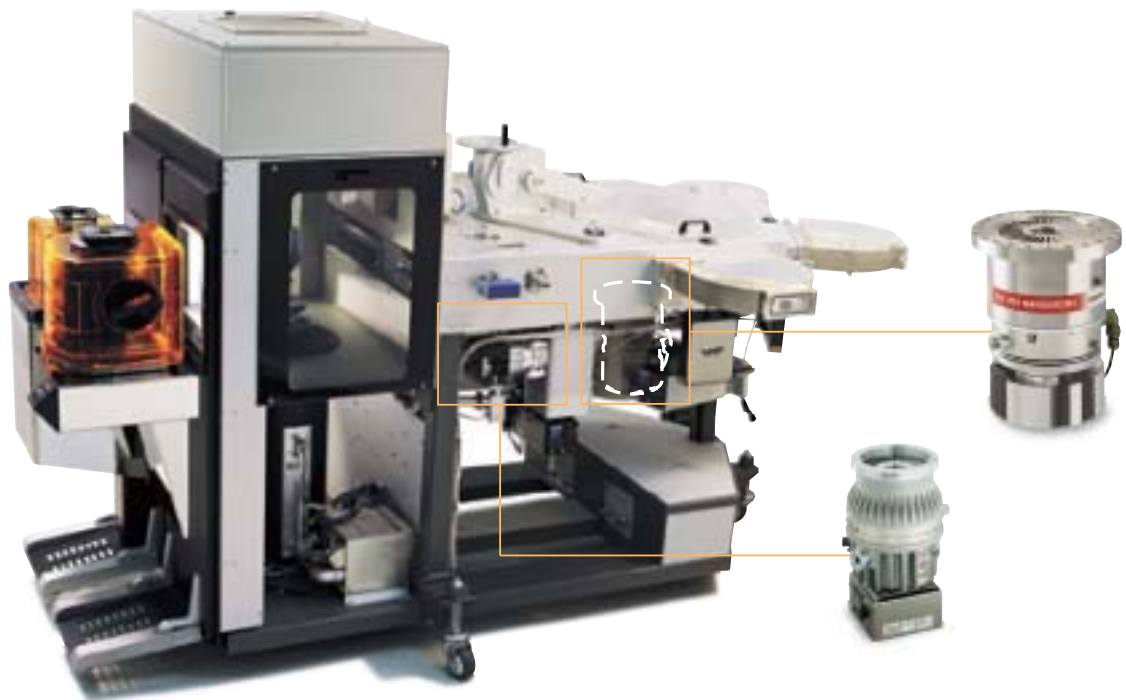
No oil, no refill, no contamination. This is our design philosophy. All of our pumps are designed around ceramic ball bearing technology.

Ceramic is lighter, harder, smoother, and thermally more stable than any steel. So a ceramic ball bearing can run faster, hotter and more quietly than any steel ball bearing. The lubrication of the bearings is critical. After years of research Varian has developed its proprietary Dry Lubrication technology to guarantee excellent pump life time in any position and in any gas load working condition. Thanks to ceramic bearings and Dry Lubrication technology, you can count on an ultimate MTF of our products of 120,000 h plus. Thanks to Varian, performance has never been so reliable.

Varian turbo pumps feature integrated and standard rack controllers



Turbo-V Pump Typical Applications



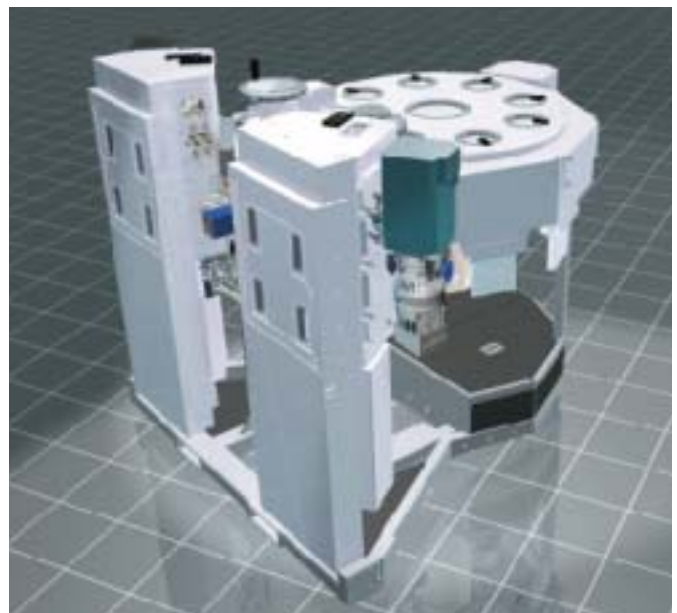
Semiconductors

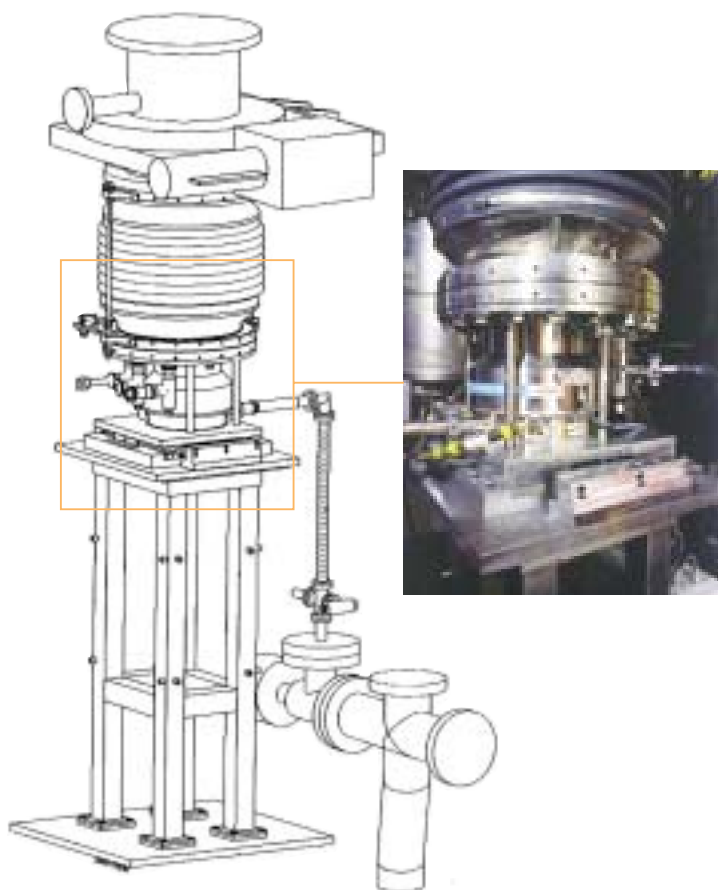
The turbo pump is the critical element in the creation of an appropriate environment in the world of semiconductor manufacturing. In fact, as semiconductor chip geometries continue to shrink, the reliance on turbo pump technology is the highest it has been in the history of semiconductor manufacturing. Varian's turbo pumps provide unique and critical advantages in the creation of vacuum for the manufacture of semiconductor devices. Varian's rich history of innovations includes the pioneering of thermally stable ceramic bearings in place of stainless steel bearings, and the development of MacroTorr® turbo stages, among others.

The use of ceramic bearing technology allows Varian to run its turbo pumps at the one of the highest rotational speeds in the industry, providing high pumping speed for light gases like helium and hydrogen, which are frequently liberated in the production of semiconductors. Since pumping speed is directly related to rotational speed, our turbo pumps provide improved pumping speed in a more compact package.

Another critical innovation by Varian in the world of turbo pumps has been the introduction of the monolithic rotor in conjunction with MacroTorr® turbo stages. These two additions provide the turbo pump with the ability to meet demanding rapid cycle applications, such as vacuum load locks, in which high gas-load cycling and

high tolerable foreline pressures are critical to the success of the process. Varian's turbo pump capabilities are unique, and the most advanced in the industry, allowing the user to share a single roughing pump across multiple turbo pumps, thus reducing costs and improving tool reliability by reducing the number of dynamic systems within the process tool.





High Energy Physics and Research Laboratories

Turbomolecular pumps are widely used in High Energy Physics, Fusion Technology and general UHV research. Synchrotron Light Sources, Particle Accelerator Rings, UHV Laboratory research, and Fusion reactors need extremely clean, reliable and cost effective HV and UHV.

Maintenance-free pumps are specifically required, because most pumps are not easily accessible.

Varian Turbo-V pumps are designed to offer unmatched reliability, performance and cleanliness for these applications. Ceramic bearing pumps, thanks to their reduced rolling friction, low stress and high thermal stability compared to conventional bearings, deliver longer operating life.

Ultra low vapor pressure solid lubricant eliminates the need for maintenance and assures clean operation under any operating conditions.

Furthermore, in contrast to most of the other pumps, all Varian Turbo-V pumps have both the upper and the lower bearing in the rough vacuum side and not exposed to UHV, further reducing the possibility of contamination - even in case of misuse.

The patented MacroTorr® stages provide the highest speed and compression ratio in the smallest footprint; furthermore all the Turbo-V pumps can truly be mounted in any orientation, from vertical to horizontal to upside down, aiding

system design in the most stringent space requirements. MacroTorr® Turbo Pumps can operate at higher foreline pressures, allowing the use of diaphragm roughing pumps, thus providing a completely clean, oil-free compact and cost effective pumping package.

Whenever a large amount of gas has to be pumped and higher throughput is needed, the combination of Turbo-V pumps and TriScroll® dry pumps is the state-of-the-art solution. All the Turbo-V Navigator pumps have the option of an on board controller, allowing easy plug and pump operation, or a rack-mounted controller for applications where the electronics need to be remotely placed (i.e. radioactive environments).

Analytical Instrumentation

Electron Microscopy (SEM, TEM), Focused Ion-beam Systems (FIB) and Surface Analysis

Modern focused-beam systems such as SEM's, TEM's and FIB's utilize columns that project electrons or ions onto microscopic samples for detailed analysis. End users analyze all types of substances from organic compounds to semiconductor wafers. In the Semiconductor industry, in particular, they require more sensitivity for better sample resolution. Another key requirement is high sample throughput in order to lower the cost of ownership of these instruments.

Based on these requirements, the demand for high performance vacuum pumps is greater than ever. Varian offers a full range of high and ultra-high vacuum pumps designed especially for the demanding requirements of SEM's, TEM's and surface analysis systems (Varian has a full range of ion pumps, which are key products for this application; please see ion pump section).

Turbo molecular pumps are also a key component in modern focused-beam systems because they offer fast, oil-free air evacuation of large sample chambers (oil-free operation is a key requirement of many modern analysis applications such as semiconductor manufacturing). From Varian's full range of turbo pumps, the focused-beam system designer can choose a pump size that offers the best chamber evacuation time with the best cost of ownership and compact size for use in limited space situations. Varian has a full line of customized, low vibration turbo pumps for the most sensitive microscopy applications. Finally, Varian has a full range of integrated pump controllers that offer the highest control flexibility with near zero electromagnetic noise generation.

Mass Spectrometry

Mass Spectrometry has become an important analytical tool in many industries including pharmaceuticals. Thanks to advances in electronics, instrument designers can implement cost-effective, high-performance analytical power in a cost-effective, easy-to-use system. These developments require advanced vacuum systems that are characterized by multi-chamber, high throughput designs on the high quality

Turbo-V Pump Typical Applications

instruments. These requirements, in turn, demand cost-effective, high performance vacuum pumps. Varian offers a full line of pumps and controllers that meet the most challenging vacuum requirements and are optimized for the specific requirements of modern mass spectrometry systems. Varian can further customize its pumps by providing multi-inlet pumping systems that are compact and reliable. A few common application examples for mass spectrometry are listed below:



- **GC-MS**
Gas Chromatograph Mass Spectrometers typically use one vacuum chamber in relatively low gas load environments and an intermediate vacuum interface to analyze inorganic samples. The Varian Turbo-V 70 with printed circuit board controller (PCB) is a very cost-effective solution for this common analytical technique. The V 301 Navigator offers a compact, cost-effective solution for larger instrument designs.
- **LC-MS**
Liquid Chromatograph Mass Spectrometers typically include multi-chamber, high throughput vacuum systems. Varian's Turbo-V301 and V 551 pumps are designed for high throughput operation with air cooling – an important benefit for maintaining a compact system. The V 301 and V 551 pumps are also available in several split flow versions to increase their utility and performance in this application. The on board Navigator control system provides a high level of control function in a small package.
- **ICP-MS**
Inductively Coupled Plasma-MS systems have a wide range of vacuum requirements. Many systems can use heavy carrier gases such as argon, while collision cell designs use helium. The Turbo-V 301 Navigator has a high efficiency motor and MacroTorr® drag stages to reduce heat production under gas load. These features allow the V 301 to pump high levels of argon. The Navigator controller provides high controller function in a compact package.

- **TOF**
Time Of Flight systems are becoming very important analytical tools in drug discovery and proteomics. Vacuum requirements vary, although small size is often an important consideration. The Turbo V 301 Navigator pump and controller package provides the TOF designer with a high degree of flexibility with regard to high throughput, efficient heat dissipation and compact size.

Industrial Processes

We can distinguish many applications in which vacuum technology is of fundamental importance. Examples of typical industrial applications are:

Thin Film Deposition:

- Glass coating equipment (architectural glass, automotive glass, flat panel display substrates)
- Thin film solar cells production (photo-voltaic)
- Optical data media (Compact Discs, Digital Versatile Discs, Magneto Optical Discs)
- Magnetic storage media (hard discs, read heads)
- Surface treatments (functional, decorative)
- Optical coating (ophthalmic, precision opto-electronics)
- Roll/Web coating on films or foils

Device Processing:

- TV & Monitor picture tube manufacture
- Evacuation of lamps (motorway lighting, beamers)
- X-Ray tubes & electron devices
- Medical accelerator tubes
- Lasers

General Industrial Processes:

- Vacuum furnaces / metallurgy
- Others

Varian provides complete solutions. We're experts at creating, maintaining, measuring and controlling high vacuum in diverse industrial processes. With innovative application design, responsive technical support, service, training,





accessories, and a global network, Varian is your total vacuum solution provider.

Turbomolecular Pumps

The Turbo-V pumps are designed to meet the most demanding needs of the industrial market. They offer unmatched reliability, performance, and cleanliness. Designed to withstand heavy industrial use, Turbo-V pumps handle high gas loads and will recover quickly from accidental air in-rushes. With a complete range of turbo pumps from 70 to 6,000 l/s including the Navigator pumps with on board controllers, Varian has the right solution for your needs.

Industrial Thin Film Deposition Equipment

Our expertise with both OEMs and end users in the field of industrial vacuum equipment makes us the right partner for your Total Vacuum Solution. In single chamber batch systems, multiple chamber systems, with load locks, or large inline continuous systems, Varian Vacuum Technologies has the right turbo pump for your process requirements.

What really differentiates Varian is the expertise of its applications, support and custom system design staff to integrate these superior vacuum pumps into an optimized vacuum solution. Our experts will work with you to offer the right solutions to your particular vacuum requirements.

Pump Models

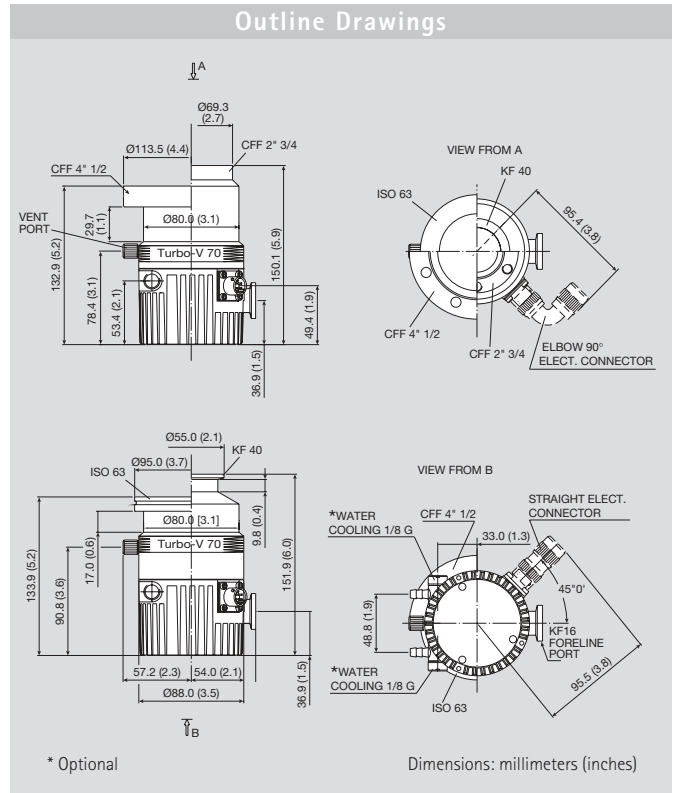
Pump Specification	Turbo-V 70		Turbo-V 70 D		Turbo-V 70 LP		Turbo-V 301 Navigator	
	DN 40	DN 63	DN 40	DN 63	DN 40	DN 63	DN 100	DN 160
Pumping Speed, l/s								
Nitrogen	46	68	40	60	46	68	250	280
Helium	52	60	27	30	52	60	220	230
Hydrogen	42	45	20	20	42	45	200	210
Compression Ratio								
Nitrogen	5×10^7	5×10^7	5×10^7	5×10^7	5×10^8	5×10^8	7×10^8	7×10^8
Helium	4×10^3	4×10^3	7×10^3	7×10^3	8×10^4	8×10^4	1×10^5	1×10^5
Hydrogen	4×10^2	4×10^2	1.5×10^3	1.5×10^3	1×10^4	1×10^4	1×10^4	1×10^4
Base pressure, mbar								
with recommended mechanical pump	1×10^{-9}	1×10^{-9}	$< 1 \times 10^{-9}$	$< 1 \times 10^{-9}$	$< 2 \times 10^{-10}$	$< 2 \times 10^{-10}$	$< 5 \times 10^{-10}$	$< 5 \times 10^{-10}$
with recommended dry pump	N/A	N/A	$< 1 \times 10^{-8}$	$< 1 \times 10^{-8}$	$< 2 \times 10^{-9}$	$< 2 \times 10^{-9}$	$< 5 \times 10^{-9}$	$< 5 \times 10^{-9}$
Startup Time, min								
	< 1	< 1	< 1	< 1	< 1	< 1	2.5	2.5
Rotational Speed, rpm								
	75,000	75,000	75,000	75,000	75,000	75,000	56,000	56,000
Recommended Forepump								
Two-stage mechanical pump	DS 102	DS 102	DS 102	DS 102	DS 102	DS 102	DS 102	DS 102
Dry pump	N/A	N/A	SH-100	SH-100	SH-100	SH-100	SH-100	SH-100
Inlet Flange, nominal diameter								
Klapp Flange, mm	40	-	40	-	40	-	-	-
ConFlat®, mm (inches OD)	35 (2.75)	63 (4.5)	35 (2.75)	63 (4.5)	35 (2.75)	63 (4.5)	100 (6)	160 (8)
ISO clamp style, mm	-	63	-	63	-	63	100	160
Foreline Flange, nominal diameter								
Wheeler, inches ID	-	-	-	-	-	-	-	-
Klapp Flange	NW16	NW16	NW16	NW16	NW16	NW16	NW16	NW16
ISO clamp style	-	-	-	-	-	-	-	-



Turbo-V 551 Navigator		Turbo-V 701 Navigator	Turbo-V 1001 Navigator			Turbo-V 2000 HT	Turbo-V 6000
DN 100	DN 160	DN 200	DN 160	DN 200	DN 250	DN 250	DN 500
350	550	690	790	950	1,050	1,950	6,000
450	600	620	820	870	900	2,000	7,000
450	510	510	860	900	920	1,500	6,500
$> 1 \times 10^9$	$> 1 \times 10^9$	1×10^9	1×10^9	1×10^9	1×10^9	$> 1 \times 10^9$	$> 1 \times 10^{10}$
1×10^7	1×10^7	1×10^7	1×10^7	5×10^7	5×10^7	2×10^6	2.3×10^5
1×10^6	1×10^6	1×10^6	1×10^6	2×10^6	2×10^6	2×10^5	8×10^3
$< 1 \times 10^{-10}$	$< 1 \times 10^{-10}$	$< 1 \times 10^{-10}$	$< 1 \times 10^{-10}$	$< 1 \times 10^{-10}$	$< 1 \times 10^{-10}$	1×10^{-10}	$< 1 \times 10^{-10}$
$< 1 \times 10^{-10}$	$< 1 \times 10^{-10}$	$< 1 \times 10^{-10}$	$< 1 \times 10^{-10}$	$< 1 \times 10^{-10}$	$< 1 \times 10^{-10}$	1×10^{-10}	N/A
< 5	< 5	< 5	< 4	< 4	< 4	10	30
42,000	42,000	42,000	38,000	38,000	38,000	33,000	14,000
DS 302 TS300	DS 302 TS300	DS 402 TS300	DS 402 TS300	DS 402 TS300	DS 402 TS300	DS 602 TS600	DS 1602 N/A
-	-	-	-	-	-	-	-
100 (6)	160 (8)	200 (10)	-	200 (10)	-	250 (12)	-
100	160	200	160	200	250	250-F bolted	500
-	-	-	-	-	-	-	-
NW25	NW25	NW25	NW40	NW40	NW40	NW40	20
-	-	-	-	-	-	-	-
-	-	-	-	-	-	-	100



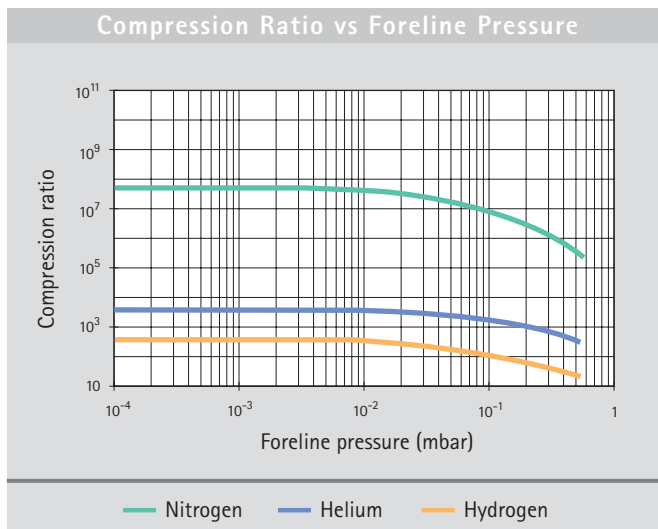
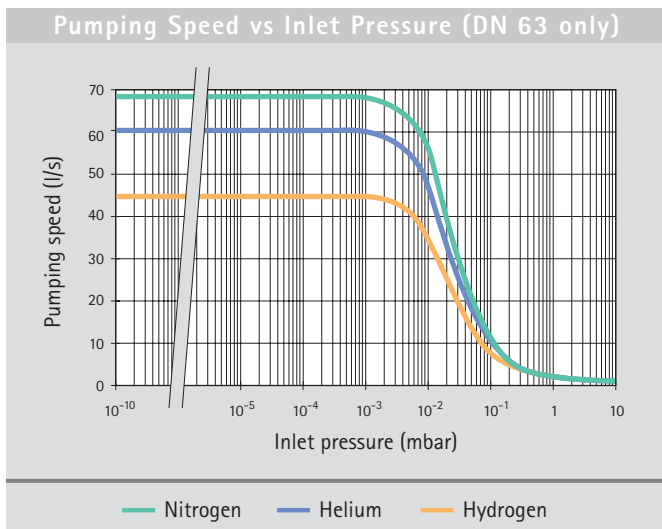
Turbo-V 70



Technical Specifications

Pumping speed (l/s)			
With CF 4 1/2" or ISO 63:	N ₂ : 68 l/s	He: 60 l/s	H ₂ : 45 l/s
With CF 2 3/4" or KF 40:	N ₂ : 46 l/s	He: 52 l/s	H ₂ : 42 l/s
Compression ratio	N ₂ : 5 x 10 ⁷	He: 4 x 10 ³	H ₂ : 4 x 10 ²
Base pressure*	1 x 10 ⁻⁹ mbar (8 x 10 ⁻¹⁰ Torr)		
Inlet flange	CF 4 1/2" O.D.	ISO 63	
	CF 2 3/4" O.D.	KF 40	
Foreline flange	KF 16		
Rotational speed	75,000 rpm		
Start-up time	< 60 seconds		
Recommended forepump	Mechanical: Varian DS 102		
Operating position	Any		
Cooling requirements	Natural air convection Forced air or water optional		
Bakeout temperature	120 °C at inlet flange max. (CF flange) 80 °C at inlet flange max. (ISO flange)		
Vibration level (displacement)	<0.01 µm at inlet flange		
Weight kg (lbs)	ISO: 1.6 (3.5) CF: 2.3 (5)		

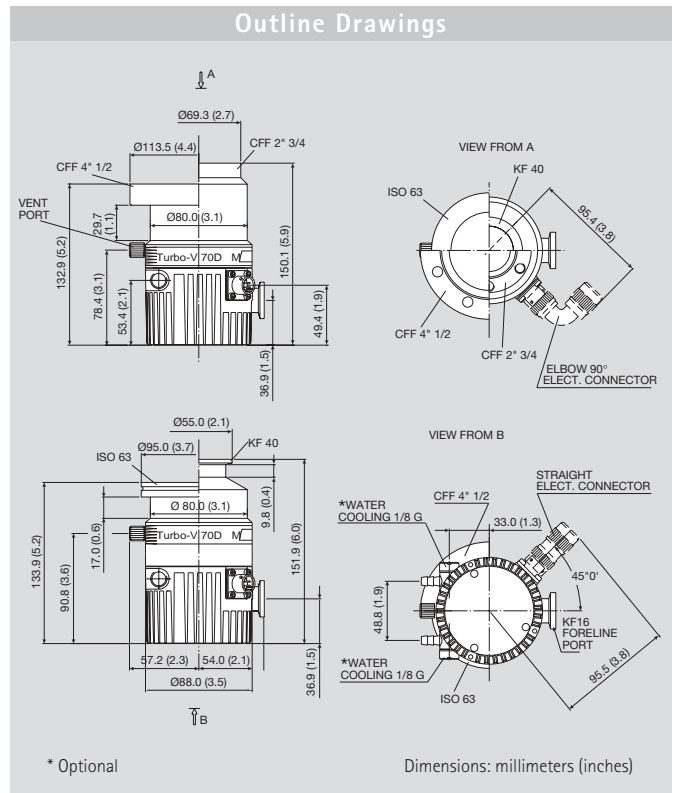
* According to standard DIN 28 428, the base pressure is measured in a leak-free test dome, 48 hours after completion of test dome bake-out, with a Turbopump fitted with a ConFlat flange and using the recommended backing pump.



Ordering Information

Description	Weight kg (lbs)	Part Number
Pumps		
Turbo-V 70 pump with ISO 63 inlet flange	1.6 (3.5)	9699357
Turbo-V 70 pump with CF 4 1/2" inlet flange	2.3 (5.0)	9699358
Turbo-V 70 pump with KF 40 inlet flange	1.6 (3.5)	9699359
Turbo-V 70 pump with CF 2 3/4" inlet flange	2.3 (5.0)	9699360
Controllers		
Turbo-V 70 1/4 Rack controller, 220 V	3.6 (8.0)	9699405
Turbo-V 70 1/4 Rack controller, 120 V	3.6 (8.0)	9699505
Turbo-V 70 Navigator controller, 24 Vdc	1.0 (2.2)	9698970
Turbo-V 70 Navigator controller, 120/220 Vac	1.0 (2.2)	9698971
Accessories		
Inlet screen, KF 40	0.5 (1.0)	9699309
Inlet screen, CF 35	0.5 (1.0)	9699328
Inlet screen, DN 63	0.5 (1.0)	9699300
Heater band, 120 V	1.0 (2.0)	9699802
Heater band, 220 V	1.0 (2.0)	9699801
Water cooling kit - metallic model	0.5 (1.0)	9699337
Water cooling kit - plastic model	0.5 (1.0)	9699347
Air cooling kit	2.2 (5.0)	9699310
Vibration damper, DN 63 ISO	0.5 (1.0)	9699375
Vibration damper, 4 1/2" CF	0.5 (1.0)	9699376
Vent flange, NW 10 KF	0.5 (1.0)	9699109
Vent device with adjustable delay time	2.2 (5.0)	9699831
Vent valve with fixed delay time	2.0 (4.0)	9699843

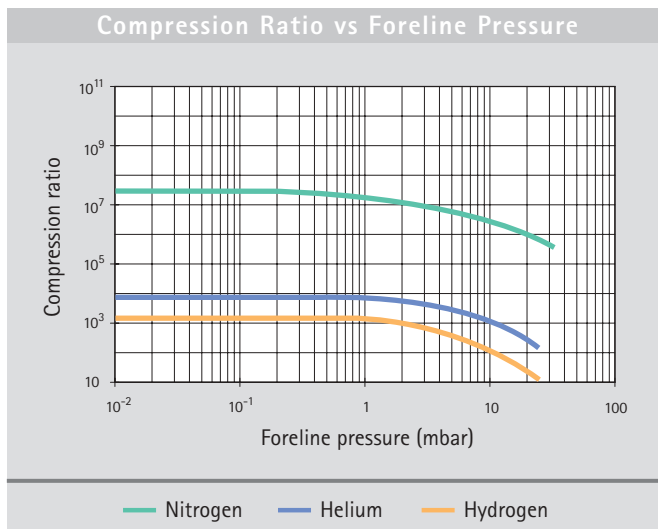
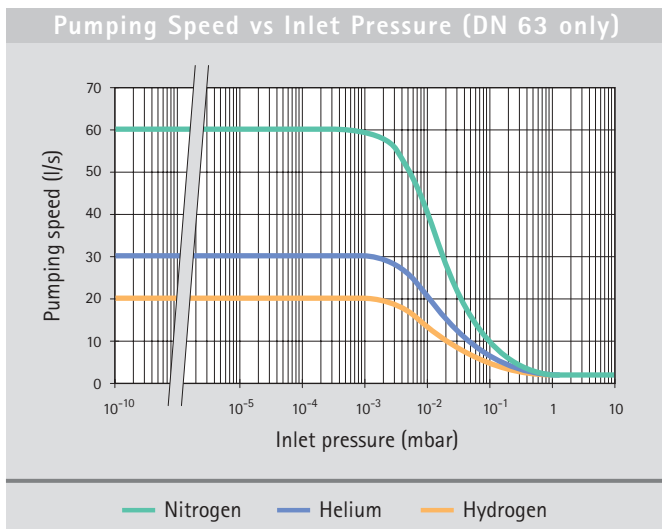
Turbo-V 70D



Technical Specifications

Pumping speed (l/s)			
With CF 4 1/2" or ISO 63:	N ₂ : 60 l/s	He: 30 l/s	H ₂ : 20 l/s
With CF 2 3/4" or KF 40:	N ₂ : 40 l/s	He: 27 l/s	H ₂ : 20 l/s
Compression ratio	N ₂ : 5 x 10 ⁷	He: 7 x 10 ³	H ₂ : 1.5 x 10 ³
Base pressure* (with recommended mechanical forepump)	< 1 x 10 ⁻⁹ mbar (< 8 x 10 ⁻¹⁰ Torr)		
(with recommended dry forepump)	< 1 x 10 ⁻⁸ mbar (< 8 x 10 ⁻⁹ Torr)		
Inlet flange	CF 4 1/2" O.D.	ISO 63	
	CF 2 3/4" O.D.	KF 40	
Foreline flange	KF 16		
Rotational speed	75,000 rpm		
Start-up time	< 60 seconds		
Recommended forepump	Mechanical: Varian DS 102 Dry scroll: Varian SH-100		
Operating position	Any		
Cooling requirements	Natural air convection Forced air or water optional		
Bakeout temperature	120 °C at inlet flange max. (CF flange) 80 °C at inlet flange max. (ISO flange)		
Vibration level (displacement)	< 0.01 µm at inlet flange		
Weight kg (lbs)	ISO: 1.6 (3.5) CF: 2.3 (5)		

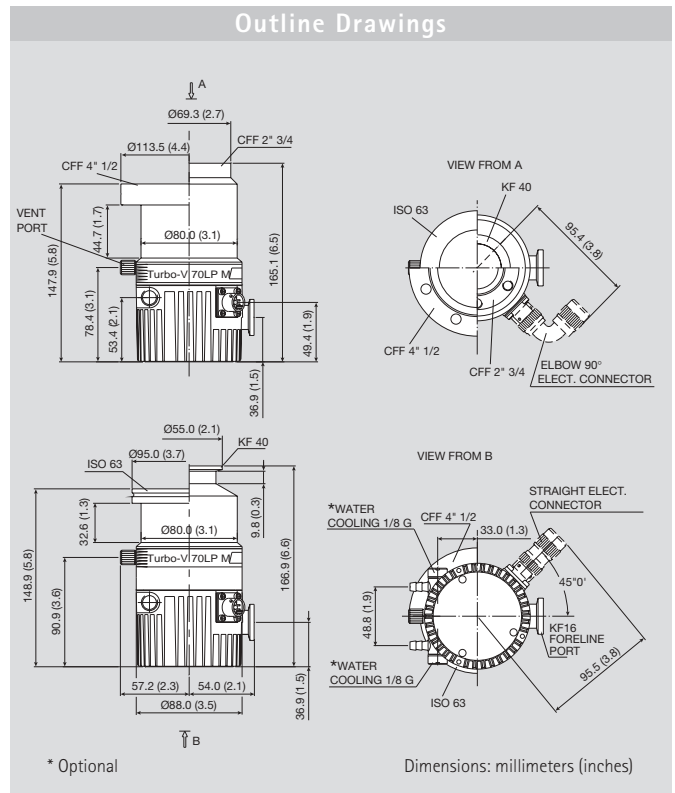
* According to standard DIN 28 428, the base pressure is measured in a leak-free test dome, 48 hours after completion of test dome bake-out, with a Turbopump fitted with a ConFlat flange and using the recommended backing pump.



Ordering Information

Description	Weight kg (lbs)	Part Number
Pumps		
Turbo-V 70D pump with ISO 63 inlet flange	1.6 (3.5)	9699361
Turbo-V 70D pump with CF 4 1/4" inlet flange	2.3 (5.0)	9699362
Turbo-V 70D pump with KF 40 inlet flange	1.6 (3.5)	9699363
Turbo-V 70D pump with CF 2 3/4" inlet flange	2.3 (5.0)	9699364
Controllers		
Turbo-V 70 1/4 Rack controller, 220 V	3.6 (8.0)	9699405
Turbo-V 70 1/4 Rack controller, 120 V	3.6 (8.0)	9699505
Turbo-V 70 Navigator controller, 24 Vdc	1.0 (2.2)	9698970
Turbo-V 70 Navigator controller, 120/220 Vac	1.0 (2.2)	9698971
Accessories		
Inlet screen, KF 40	0.5 (1.0)	9699309
Inlet screen, CF 35	0.5 (1.0)	9699328
Inlet screen, DN 63	0.5 (1.0)	9699300
Heater band, 120 V	1.0 (2.0)	9699802
Heater band, 220 V	1.0 (2.0)	9699801
Water cooling kit – metallic model	0.5 (1.0)	9699337
Water cooling kit – plastic model	0.5 (1.0)	9699347
Air cooling kit	2.2 (5.0)	9699310
Vibration damper, DN 63 ISO	0.5 (1.0)	9699375
Vibration damper, 4 1/2" CF	0.5 (1.0)	9699376
Vent flange, NW 10 KF	0.5 (1.0)	9699109
Vent device with adjustable delay time	2.2 (5.0)	9699831
Vent valve with fixed delay time	2.0 (4.0)	9699843

Turbo-V 70LP

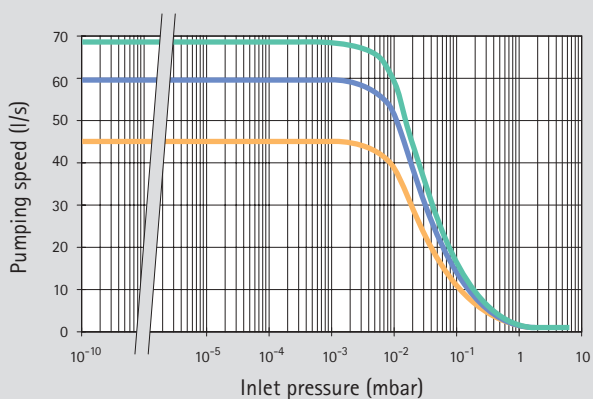


Technical Specifications

Pumping speed (l/s)			
With CF 4 1/2" or ISO 63:	N ₂ : 68 l/s	He: 60 l/s	H ₂ : 45 l/s
With CF 2 3/4" or KF 40:	N ₂ : 46 l/s	He: 52 l/s	H ₂ : 42 l/s
Compression ratio	N ₂ : 5 x 10 ⁸	He: 8 x 10 ⁴	H ₂ : 1 x 10 ⁴
Base pressure* (with recommended mechanical forepump)	< 2 x 10 ⁻¹⁰ mbar (< 1.5 x 10 ⁻¹⁰ Torr)		
(with recommended dry forepump)	< 2 x 10 ⁻⁹ mbar (< 1.5 x 10 ⁻⁹ Torr)		
Inlet flange	CF 4 1/2" O.D.	ISO 63	
	CF 2 3/4" O.D.	KF 40	
Foreline flange		KF 16	
Rotational speed	75,000 rpm		
Start-up time	< 60 seconds		
Recommended forepump	Mechanical: Varian DS 102 Dry scroll: Varian SH-100		
Operating position	Any		
Cooling requirements	Natural air convection Forced air or water optional		
Bakeout temperature	120 °C at inlet flange max. (CF flange) 80 °C at inlet flange max. (ISO flange)		
Vibration level (displacement)	< 0.01 µm at inlet flange		
Weight kg (lbs)	ISO: 1.7 (3.7) CF: 2.5 (5.5)		

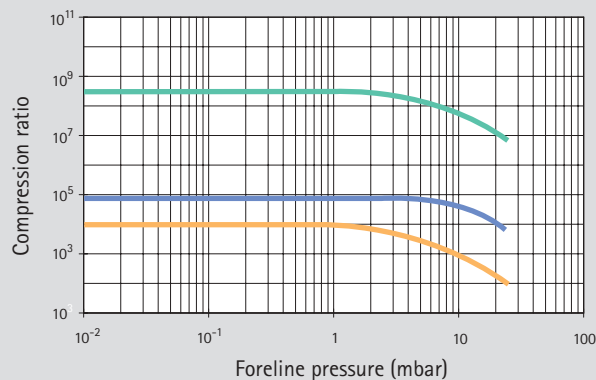
* According to standard DIN 28 428, the base pressure is measured in a leak-free test dome, 48 hours after completion of test dome bake-out, with a Turbopump fitted with a ConFlat flange and using the recommended backing pump.

Pumping Speed vs Inlet Pressure (DN 63 only)



— Nitrogen — Helium — Hydrogen

Compression Ratio vs Foreline Pressure

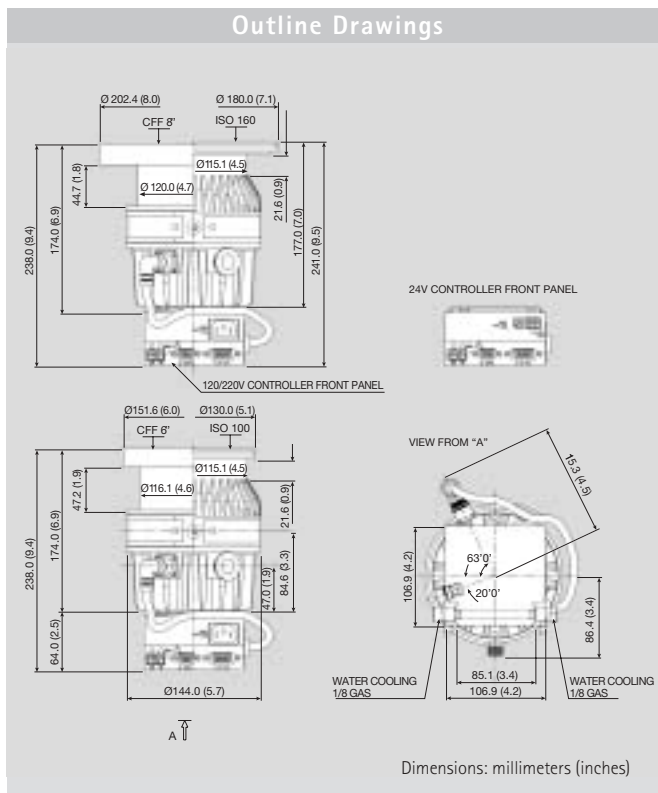


— Nitrogen — Helium — Hydrogen

Ordering Information

Description	Weight kg (lbs)	Part Number
Pumps		
Turbo-V 70LP pump with ISO 63 inlet flange	1.7 (3.7)	9699365
Turbo-V 70LP pump with CF 4 1/2" inlet flange	2.5 (5.5)	9699366
Turbo-V 70LP pump with KF 40 inlet flange	1.7 (3.7)	9699367
Turbo-V 70LP pump with CF 2 3/4" inlet flange	2.5 (5.5)	9699368
Controllers		
Turbo-V 70 1/4 Rack controller, 220 V	3.6 (8.0)	9699405
Turbo-V 70 1/4 Rack controller, 120 V	3.6 (8.0)	9699505
Turbo-V 70 Navigator controller, 24 Vdc	1.0 (2.2)	9698970
Turbo-V 70 Navigator controller, 120/220 Vac	1.0 (2.2)	9698971
Accessories		
Inlet screen, KF 40	0.5 (1.0)	9699309
Inlet screen, CF 35	0.5 (1.0)	9699328
Inlet screen, DN 63	0.5 (1.0)	9699300
Heater band, 120 V	1.0 (2.0)	9699802
Heater band, 220 V	1.0 (2.0)	9699801
Water cooling kit – metallic model	0.5 (1.0)	9699337
Water cooling kit – plastic model	0.5 (1.0)	9699347
Air cooling kit	2.2 (5.0)	9699310
Vibration damper, DN 63 ISO	0.5 (1.0)	9699375
Vibration damper, 4 1/2" CFF	0.5 (1.0)	9699376
Vent flange, NW 10 KF	0.5 (1.0)	9699109
Vent device with adjustable delay time	2.2 (5.0)	9699831
Vent valve with fixed delay time	2.0 (4.0)	9699843

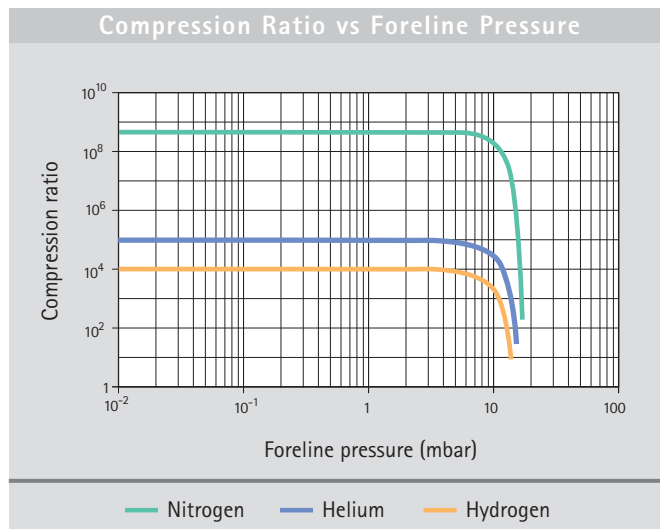
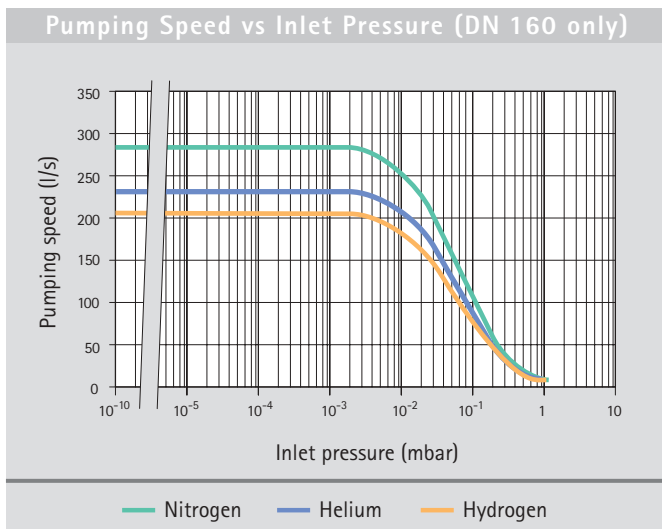
Turbo-V 301 Navigator



Technical Specifications

Pumping speed			
With CF 8" or ISO 160:	N ₂ : 280 l/s	He: 230 l/s	H ₂ : 210 l/s
With CF 6" or ISO 100:	N ₂ : 250 l/s	He: 220 l/s	H ₂ : 200 l/s
Compression ratio	N ₂ : 7 x 10 ⁸	He: 1 x 10 ⁵	H ₂ : 1 x 10 ⁴
Base pressure * (with recommended forepump)	mechanical: < 5 x 10 ⁻¹⁰ mbar (< 3.75 x 10 ⁻¹⁰ Torr) dry: < 5 x 10 ⁻⁹ mbar (< 3.75 x 10 ⁻⁹ Torr)		
Inlet flange	CF 8" O.D.	ISO 160	
	CF 6" O.D.	ISO 100	
Foreline flange	KF16 (KF25 optional)		
Rotational speed	56,000 rpm		
Start-up time	< 3 minutes		
Recommended forepump	Mechanical: Varian DS 102 Dry scroll: Varian SH-100		
Operating position	Any		
Cooling requirements	Natural air convection Forced air or water optional		
Bakeout temperature	120 °C at inlet flange max. (CF flange) 80 °C at inlet flange max. (ISO flange)		
Vibration level (displacement)	<0.01 μm at inlet flange		
Weight kg (lbs)			
Kit: (Pump + Navigator controller)	ISO 100 and 160: 4.5 (10) CF 6" and 8": 8 (17.6)		
Navigator controller	1 (2.2)		
1/4 Rack controller	4,5 (10)		

* According to standard DIN 28 428, the base pressure is measured in a leak-free test dome, 48 hours after completion of test dome bake-out, with a Turbopump fitted with a ConFlat flange and using the recommended backing pump.

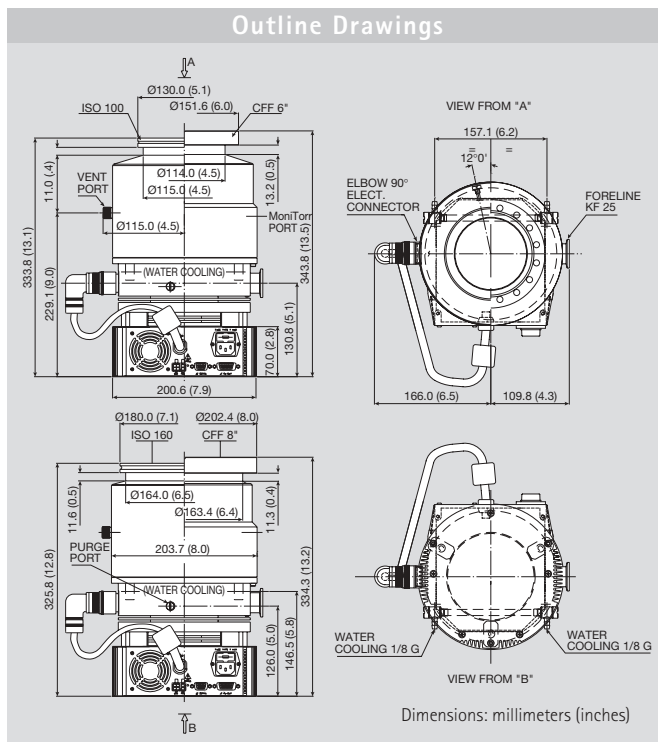


Ordering Information

Description	Weight kg (lbs)	Part Number
Complete Systems (Pump + Navigator Controller)		
Turbo-V 301 Navigator complete system, ISO 100, 24 Vdc	4.5 (10.0)	9698824
Turbo-V 301 Navigator complete system, CF 6", 24 Vdc	8.0 (17.6)	9698825
Turbo-V 301 Navigator complete system, ISO 160, 24 Vdc	4.5 (10.0)	9698826
Turbo-V 301 Navigator complete system, CF 8", 24 Vdc	8.0 (17.6)	9698827
Turbo-V 301 Navigator complete system, ISO 100, 120/220 Vac	4.5 (10.0)	9698828
Turbo-V 301 Navigator complete system, CF 6", 120/220 Vac	8.0 (17.6)	9698829
Turbo-V 301 Navigator complete system, ISO 160, 120/220 Vac	4.5 (10.0)	9698830
Turbo-V 301 Navigator complete system, CF 8", 120/220 Vac	8.0 (17.6)	9698831
<i>Complete system includes: Pump, Inlet screen, Navigator controller, 2 Mains cables (NEMA plug and European plug), Serial cable and Navigator software, Bracket for side mounting</i>		
Pumps		
Turbo-V 301 Navigator pump, ISO 100	4.2 (9.2)	9698918
Turbo-V 301 Navigator pump, CF 6"	7.7 (16.8)	9698919
Turbo-V 301 Navigator pump, ISO 160	4.2 (9.2)	9698920
Turbo-V 301 Navigator pump, CF 8"	7.7 (16.8)	9698921
Controllers		
Turbo-V 301 Navigator controller, 24 Vdc	1.0 (2.2)	9698972
Turbo-V 301 Navigator controller, 120/220 Vac	1.0 (2.2)	9698973
Turbo-V 301 1/4 Rack controller, 220 V	4.5 (10.0)	9699437
Turbo-V 301 1/4 Rack controller, 110 V	4.5 (10.0)	9699537

Description	Weight kg (lbs)	Part Number
Accessories		
Mains cable NEMA plug, 3m long	0.5 (1.0)	9699958
Mains cable European plug, 3m long	0.5 (1.0)	9699957
Serial cable and Navigator Software	0.5 (1.0)	9699883
Inlet Screen DN100	0.5 (1.0)	9699302
Inlet Screen DN160	0.5 (1.0)	9699304
Heater band 120 Vac	1.0 (2.0)	9699804
Heater band 220 Vac	1.0 (2.0)	9699803
Water cooling kit	0.5 (1.0)	9699337
Plastic water cooling kit	0.5 (1.0)	9699347
Air cooling kit	3.0 (7.0)	9699299
Fan extension cable	0.5 (1.0)	9699949
<i>(to be used when the pump is supplied by rack controller 9699437 or 9699537)</i>		
Bracket for Navigator controller side mounting	2.0 (4.0)	9699970
Vibration damper ISO 100	3.0 (7.0)	9699344
Vibration damper CF 6"	3.0 (7.0)	9699334
Vibration damper ISO 160	4.0 (9.0)	9699345
Vibration damper CF 8"	4.0 (9.0)	9699335
Vent flange, NW 10 KF / M8	0.5 (1.0)	9699108
Vent device with adjustable delay time for standard rack controller	2.0 (4.0)	9699831
Vent valve for standard rack controller	2.0 (4.0)	9699843
Vent valve for Navigator controller	2.0 (4.0)	9699834
Purge valve 10 SCCM NW16KF - M12	0.2 (0.5)	9699239
Purge valve 10 SCCM 1/4 Swagelok - M12	0.2 (0.5)	9699240
Purge valve 20 SCCM NW16KF - M12	0.2 (0.5)	9699241
Purge valve 20 SCCM 1/4 Swagelok - M12	0.2 (0.5)	9699242
Purge valve 10 SCCM 1/4 Swagelok - 1/4 Swagelok	0.2 (0.5)	9699232
Purge valve 20 SCCM 1/4 Swagelok - 1/4 Swagelok	0.2 (0.5)	9699236
Foreline flange KF25 1/4 gas	0.2 (0.5)	9699130

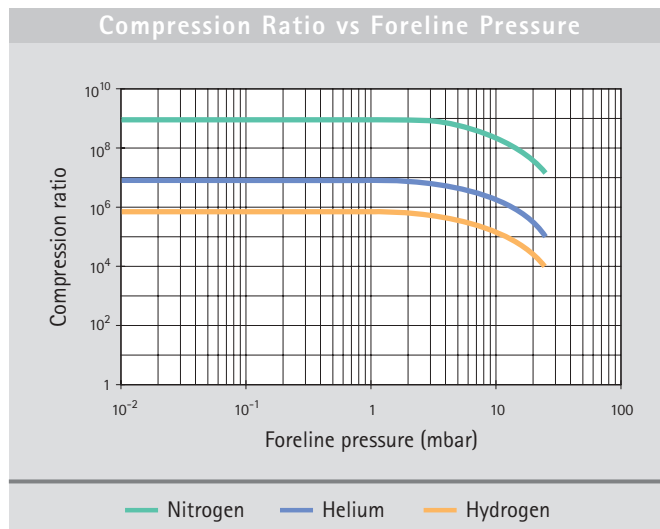
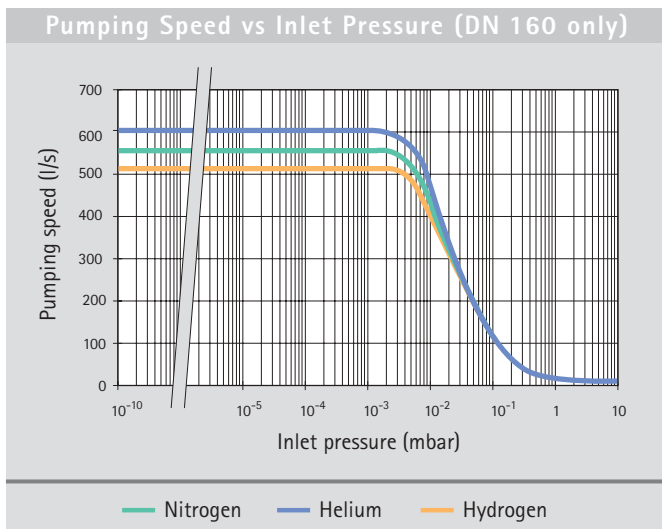
Turbo-V 551 Navigator



Technical Specifications

Pumping speed (with inlet screen)			
CF 6" or ISO 100:	N ₂ : 350 l/s	He: 450 l/s	H ₂ : 450 l/s
CF 8" or ISO 160:	N ₂ : 550 l/s	He: 600 l/s	H ₂ : 510 l/s
Compression ratio	N ₂ : >1 x 10 ⁹	He: 1 x 10 ⁷	H ₂ : 1 x 10 ⁶
Base pressure *(with minimum recommended forepump)	<1 x 10 ⁻¹⁰ mbar (<1 x 10 ⁻¹⁰ Torr)		
Inlet flange	CF 6"	ISO 100	
	CF 8"	ISO 160	
Foreline flange	KF 25		
Rotational speed	42,000 rpm		
Start-up time	<5 minutes		
Recommended forepump	Mechanical: Varian DS 302 Dry scroll: Varian TS300		
Operating position	Any		
Cooling requirements	Natural air convection Water optional (use water with electrical conductivity ≤ 500 μS/cm)		
Bakeout temperature	120 °C at inlet flange max. (CF flange) 80 °C at inlet flange max. (ISO flange)		
Vibration level (displacement)	<0.01 μm at inlet flange		
Weight kg (lbs)	ISO flange 19.4 (43.0) CF flange 23.4 (51.6)		

* According to standard DIN 28 428, the base pressure is measured in a leak-free test dome, 48 hours after completion of test dome bake-out, with a Turbopump fitted with a ConFlat flange and using the recommended backing pump.

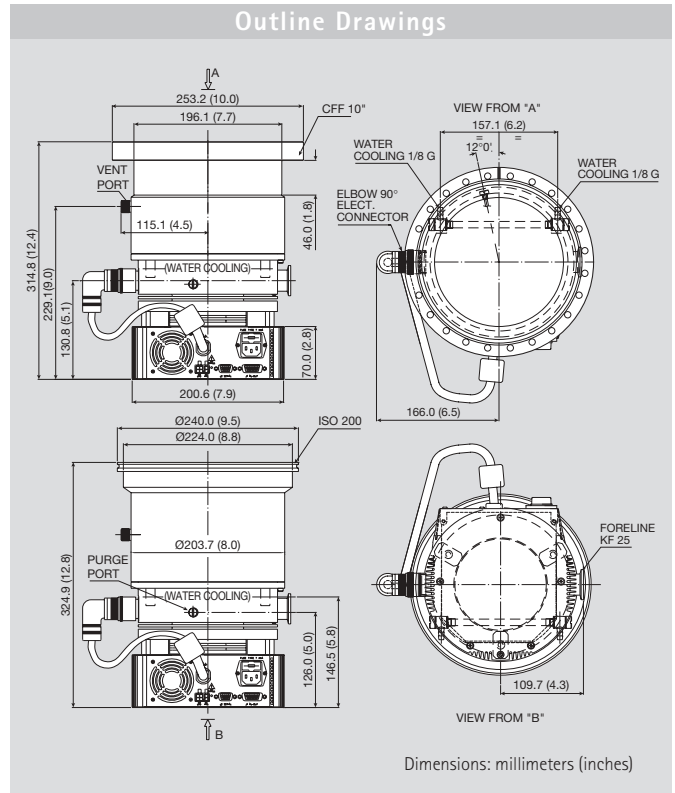


Ordering Information

Description	Weight kg (lbs)	Part Number
Complete Systems		
Turbo-V 551 Navigator complete system, ISO 160 flange	19.0 (43.0)	9698832
Turbo-V 551 Navigator complete system, 8" CF flange	25.0 (56.0)	9698833
Turbo-V 551 Navigator complete system, ISO 100 flange	19.0 (43.0)	9698834
Turbo-V 551 Navigator complete system, 6" CF flange	25.0 (56.0)	9698835
<i>Complete system includes: Pump, Inlet screen, Controller mounted on the bottom, 2 Mains cables (NEMA plug and European plug), Serial cable and Navigator software, Bracket for side mounting.</i>		
Pumps		
Turbo-V 551 Navigator pump, ISO 160	16.0 (35.0)	9698922
Turbo-V 551 Navigator pump, 8" CF	22.0 (49.0)	9698923
Turbo-V 551 Navigator pump, ISO 100	16.0 (35.0)	9698924
Turbo-V 551 Navigator pump, 6" CF	22.0 (49.0)	9698925
Controllers		
Turbo-V 551 Navigator controller 120/220 V - 50/60 Hz	3.0 (6.0)	9698976
Turbo-V 550 Rack controller, 220 V	15.7 (35.0)	9699444
Turbo-V 550 Rack controller, 110 V	15.7 (35.0)	9699544

Description	Weight kg (lbs)	Part Number
Accessories		
Mains cable NEMA plug, 3 m long	0.5 (1.0)	9699958
Mains cable European plug, 3 m long	0.5 (1.0)	9699957
Serial cable and Navigator software	0.5 (1.0)	9699883
Inlet screen DN 100	0.5 (1.0)	9699302
Inlet screen DN 160	0.5 (1.0)	9699304
Heater band, 220 V	1.0 (2.0)	9699807
Heater band, 120 V	1.0 (2.0)	9699808
Water cooling kit	0.5 (1.0)	9699337
Plastic water cooling kit	0.5 (1.0)	9699347
Air cooling kit for use with Navigator controller	4.5 (10.0)	9699339
Air cooling kit for use with standard rack controller	3.0 (7.0)	9699314
Bracket for Navigator controller side mouting	2.0 (4.0)	9699349
Vibration damper ISO 100	3.0 (7.0)	9699344
Vibration damper CF 6"	3.0 (7.0)	9699334
Vibration damper ISO 160	4.0 (9.0)	9699345
Vibration damper CF 8"	4.0 (9.0)	9699335
Vent flange, NW 10 KF / M8	0.5 (1.0)	9699108
Vent device with adjustable delay time for standard rack controller	2.0 (4.0)	9699831
Vent valve for standard rack controller	2.0 (4.0)	9699843
Vent valve for Navigator controller	2.0 (4.0)	9699834
Purge valve 10 SCCM NW16KF - M12	0.2 (0.5)	9699239
Purge valve 10 SCCM 1/4 Swagelok - M12	0.2 (0.5)	9699240

Turbo-V 701 Navigator

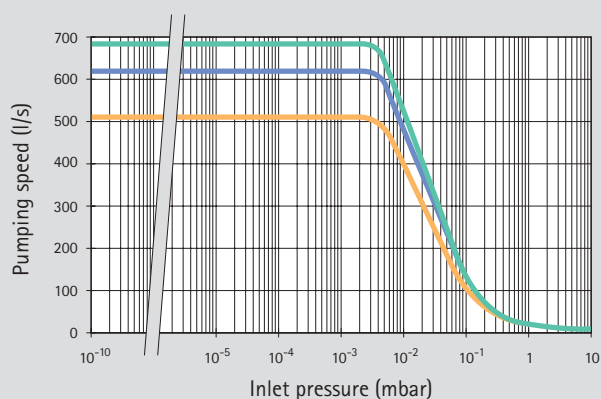


Technical Specifications

Pumping speed (with inlet screen) CF 10" or ISO 200:	N ₂ : 690 l/s	He: 620 l/s	H ₂ : 510 l/s
Compression ratio	N ₂ : 1 x 10 ⁹	He: 1 x 10 ⁷	H ₂ : 1 x 10 ⁶
Base pressure *(with minimum recommended forepump)	$< 1 \times 10^{-10}$ mbar ($< 1 \times 10^{-10}$ Torr)		
Inlet flange	CF 10"	ISO 200	
Foreline flange		KF 25	
Rotational speed	42,000 rpm		
Start-up time	<5 minutes		
Recommended forepump	Mechanical: Varian DS 402 Dry scroll: Varian TS300		
Operating position	Any		
Cooling requirements	Natural air convection Water optional (use water with electrical conductivity $\leq 500 \mu\text{S/cm}$)		
Bakeout temperature	120 °C at inlet flange max. (CF flange) 80 °C at inlet flange max. (ISO flange)		
Vibration level (displacement)	$< 0.01 \mu\text{m}$ at inlet flange		
Weight kg (lbs)	ISO flange 19.4 (43.0) CF flange 25.5 (54.2)		

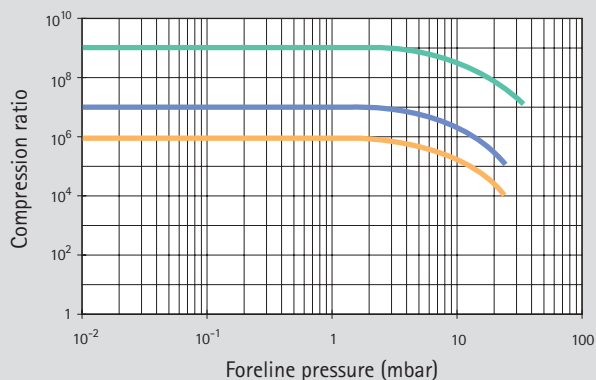
* According to standard DIN 28 428, the base pressure is measured in a leak-free test dome, 48 hours after completion of test dome bake-out, with a Turbopump fitted with a ConFlat flange and using the recommended backing pump.

Pumping Speed vs Inlet Pressure (DN 200 only)



— Nitrogen — Helium — Hydrogen

Compression Ratio vs Foreline Pressure

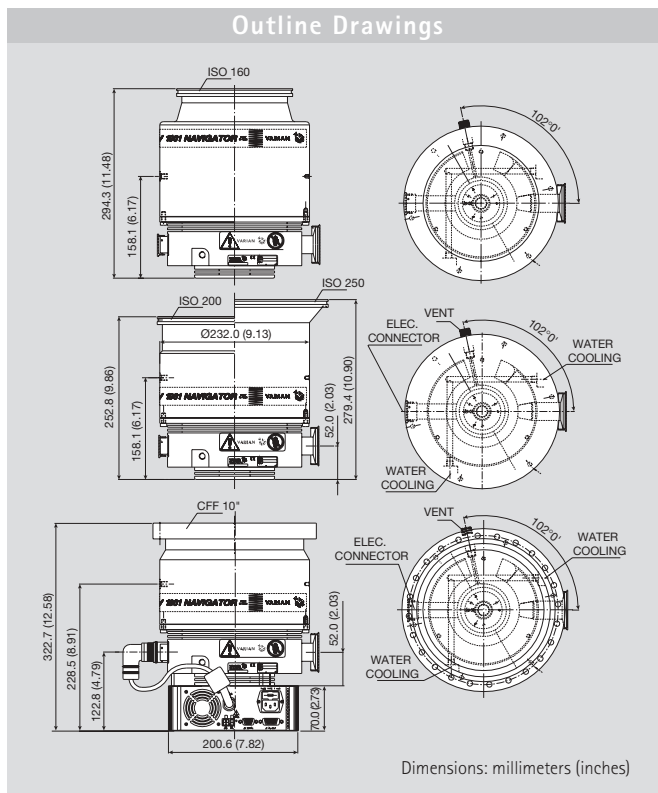


— Nitrogen — Helium — Hydrogen

Ordering Information

Description	Weight kg (lbs)	Part Number
Complete Systems		
Turbo-V 701 Navigator complete system, ISO 200 flange	19.0 (43.0)	9698836
Turbo-V 701 Navigator complete system, 10" CF flange	25.0 (56.0)	9698837
<i>Complete system includes: Pump, Inlet screen, Controller mounted on the bottom, 2 Mains cables (NEMA plug and European plug), Serial cable and Navigator software, Bracket for side mounting.</i>		
Pumps		
Turbo-V 701 Navigator pump, ISO 200	16.0 (35.0)	9698926
Turbo-V 701 Navigator pump, 10" CF	22.0 (49.0)	9698927
Controllers		
Turbo-V 701 Navigator controller 120/220 V - 50/60 Hz	3.0 (6.0)	9698977
Turbo-V 700HT Rack controller, 220 V	16.0 (35.0)	9699445
Turbo-V 700HT Rack controller, 110 V	16.0 (35.0)	9699545
Accessories		
Mains cable NEMA plug, 3 m long	0.5 (1.0)	9699958
Mains cable European plug, 3 m long	0.5 (1.0)	9699957
Serial cable and Navigator software	0.5 (1.0)	9699883
Inlet screen DN 200	0.5 (1.0)	9699316
Heater band, 220 V	1.0 (2.0)	9699807
Heater band, 120 V	1.0 (2.0)	9699808
Water cooling kit	0.5 (1.0)	9699337
Plastic water cooling kit	0.5 (1.0)	9699347
Air cooling kit for use with Navigator controller	5.0 (10.0)	9699339
Air cooling kit for use with standard rack controller	3.0 (7.0)	9699314
Bracket for Navigator controller side mounting	2.0 (4.0)	9699349
Vibration damper, ISO 200	5.0 (10.0)	9699346
Vibration damper, CF 10"	5.0 (10.0)	9699336
Vent flange, NW 10 KF / M8	0.5 (1.0)	9699108
Vent device with adjustable delay time for standard rack controller	2.0 (4.0)	9699831
Vent valve for standard rack controller	2.0 (4.0)	9699843
Vent valve for Navigator controller	2.0 (4.0)	9699834
Purge valve 10 SCCM NW16KF - M12	0.2 (0.5)	9699239
Purge valve 10 SCCM 1/4 Swagelok - M12	0.2 (0.5)	9699240

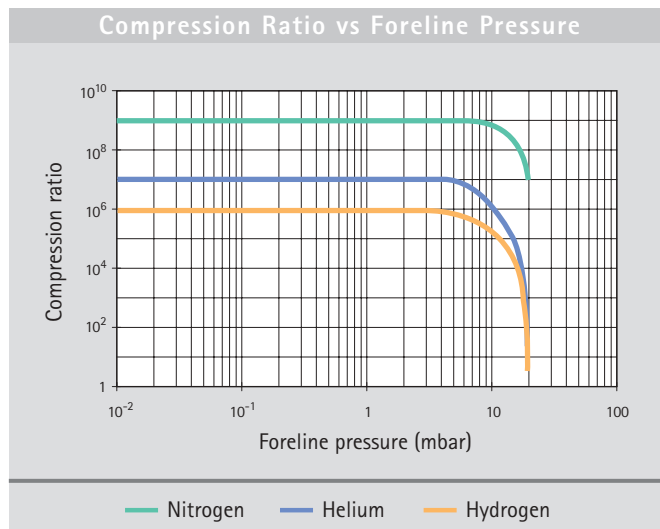
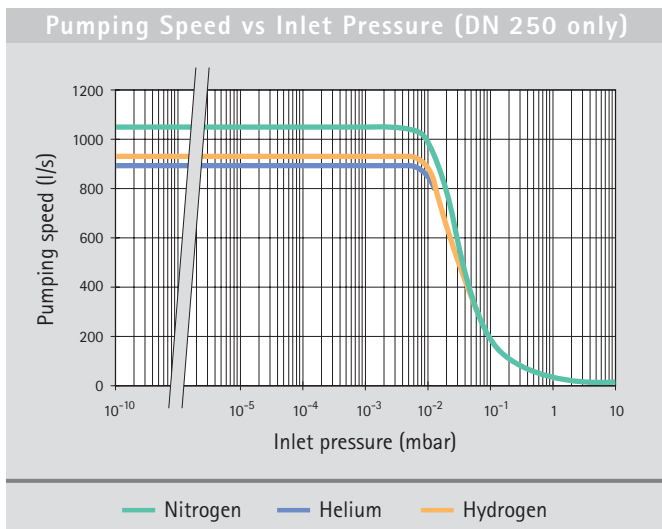
Turbo-V 1001 Navigator



Technical Specifications

Pumping speed (with inlet screen)				
ISO 160:	N ₂ : 790 l/s	He: 820 l/s	H ₂ : 860 l/s	
CF 10" or ISO 200:	N ₂ : 950 l/s	He: 870 l/s	H ₂ : 900 l/s	
ISO 250:	N ₂ : 1,050 l/s	He: 900 l/s	H ₂ : 920 l/s	
Compression ratio				
ISO 160	N ₂ : 1 x 10 ⁹	He: 1 x 10 ⁷	H ₂ : 1 x 10 ⁶	
CF 10"/ISO 200 - ISO 250	N ₂ : 1 x 10 ⁹	He: 5 x 10 ⁷	H ₂ : 2 x 10 ⁶	
Base pressure* (with recommended forepump)	< 1 x 10 ⁻¹⁰ mbar (< 1 x 10 ⁻¹⁰ Torr)			
Inlet flange	ISO 160	ISO 200, CF 10"	ISO 250	
Foreline flange	KF 40			
Rotational speed	38,000 rpm			
Start-up time	< 4 minutes			
Recommended forepump	Mechanical: Varian DS 402 Dry scroll: Varian TS300			
Operating position	Any			
Cooling requirements	Forced air or water			
Bakeout temperature	120 °C at inlet flange max. (CF flange) 80 °C at inlet flange max. (ISO flange)			
Vibration level (displacement)	< 0.01 μm at inlet flange			
Weight kg (lbs)				
ISO 160 flange		19 (41.8)		
ISO 200 flange		19.4 (43.0)		
CF 10" flange		25.5 (54.2)		
ISO 250 flange		21.2 (46.6)		

* According to standard DIN 28 428, the base pressure is measured in a leak-free test dome, 48 hours after completion of test dome bake-out, with a Turbopump fitted with a ConFlat flange and using the recommended backing pump.

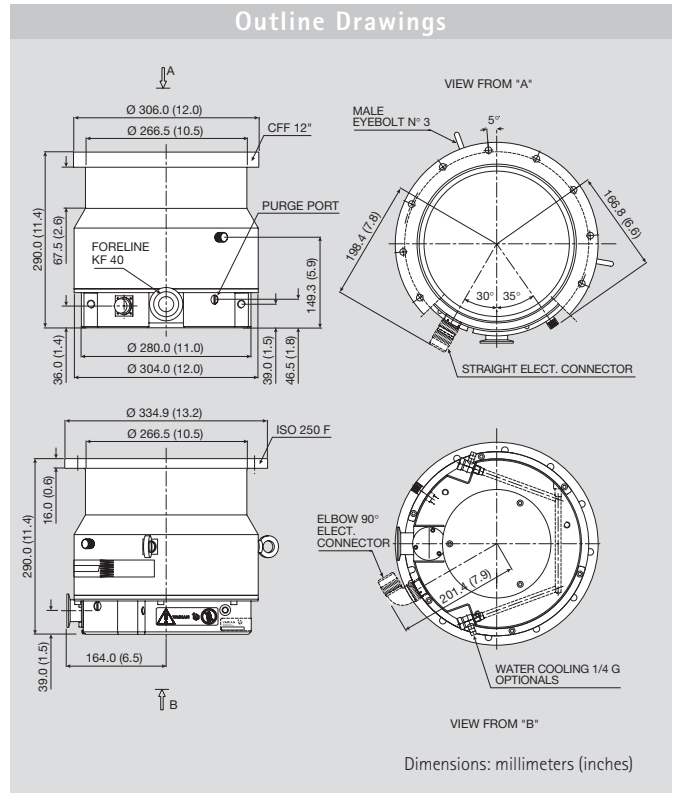


Ordering Information

Description	Weight kg (lbs)	Part Number
Complete Systems		
Turbo-V 1001 Navigator complete system, ISO 160 flange	24.4 (53.8)	9698840
Turbo-V 1001 Navigator complete system, ISO 200 flange	24.8 (55.0)	9698838
Turbo-V 1001 Navigator complete system, 10" CF flange	30.9 (66.2)	9698839
Turbo-V 1001 Navigator complete system, ISO 250 flange	26.6 (58.6)	9698841
<i>Complete system includes: Pump, Inlet screen, Controller mounted on the bottom, 2 Mains cables (NEMA plug and European plug), Serial cable and Navigator software, Bracket for side mounting.</i>		
Pumps		
Turbo-V 1001 Navigator pump, ISO 160 flange	19.0 (41.8)	9698933
Turbo-V 1001 Navigator pump, ISO 200 flange	19.4 (43.0)	9698931
Turbo-V 1001 Navigator pump, 10" CF flange	25.5 (54.2)	9698932
Turbo-V 1001 Navigator pump, ISO 250 flange	21.2 (46.6)	9698934
Controllers		
Turbo-V 1001 Navigator controller 120/220 V - 50/60 Hz	5.4 (12.0)	9698978
Turbo-V 1000HT Rack controller, 220 V	15.7 (35.0)	9699454
Turbo-V 1000HT Rack controller, 110 V	15.7 (35.0)	9699554

Description	Weight kg (lbs)	Part Number
Accessories		
Mains cable NEMA plug, 3 m long	0.5 (1.0)	9699958
Mains cable European plug, 3 m long	0.5 (1.0)	9699957
Serial cable and Navigator software	0.5 (1.0)	9699883
Inlet screen DN 160	0.5 (1.0)	9699304
Inlet screen DN 200	0.5 (1.0)	9699316
Inlet screen DN 250	0.5 (1.0)	9699350
Heater band, 220 V	1.0 (2.0)	9699327
Heater band, 120 V	1.0 (2.0)	9699317
Water cooling kit	0.5 (1.0)	9699337
Plastic water cooling kit	0.5 (1.0)	9699347
Air cooling kit for use with Navigator controller	4.5 (10.0)	9699297
Air cooling kit for use with standard rack controller	3.0 (7.0)	9699315
Bracket for Navigator controller side mouting	2.0 (4.0)	9699298
Vibration damper ISO 160	4.0 (9.0)	9699345
Vibration damper, ISO 200	5.0 (10.0)	9699346
Vibration damper, CF 10"	5.0 (10.0)	9699336
Vent flange, NW 10 KF / M8	0.5 (1.0)	9699108
Vent device with adjustable delay time for standard rack controller	2.0 (4.0)	9699831
Vent valve for standard rack controller	2.0 (4.0)	9699843
Vent valve for Navigator controller	2.0 (4.0)	9699834
Purge valve 10 SCCM NW16KF - M12	0.2 (0.5)	9699239
Purge valve 10 SCCM 1/4 Swagelok - M12	0.2 (0.5)	9699240
Purge valve 20 SCCM NW16KF - M12	0.2 (0.5)	9699241
Purge valve 20 SCCM 1/4 Swagelok - M12	0.2 (0.5)	9699242
Purge valve 10 SCCM 1/4 Swagelok 1/4 Swagelok	0.2 (0.5)	9699232
Purge Valve 20 SCCM 1/4 Swagelok 1/4 Swagelok	0.2 (0.5)	9699236

Turbo-V 2000HT

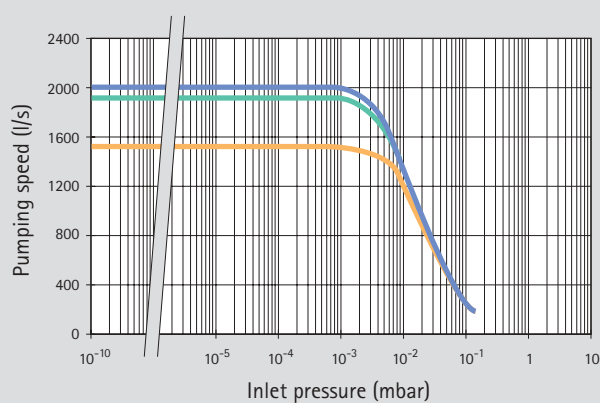


Technical Specifications

Pumping speed	N ₂ : 1,950 l/s	He: 2,000 l/s	H ₂ : 1,500 l/s
Compression ratio	N ₂ : >1 x 10 ⁹	He: 2 x 10 ⁶	H ₂ : 2 x 10 ⁵
Base pressure* (minimum with recommended mechanical forepump)	1 x 10 ⁻¹⁰ mbar (7.5 x 10 ⁻¹¹ Torr)		
Inlet flange	CF 12"	ISO 250-F bolted	
Foreline flange	KF 40		
Rotational speed	33,000 rpm		
Startup time	10 minutes		
Recommended forepump	Mechanical: Varian DS 602 Dry scroll: Varian TS600		
Operating position	Any		
Cooling requirements	Water		
Bakeout temperature	120 °C max. at inlet flange (CF flange) 80 °C max. at inlet flange (ISO flange)		
Vibration level (displacement)	<0.01 µm at inlet flange		
Weight (kg (lbs))	ISO 250: 44 (96.8) CF 12": 55 (121.0)		

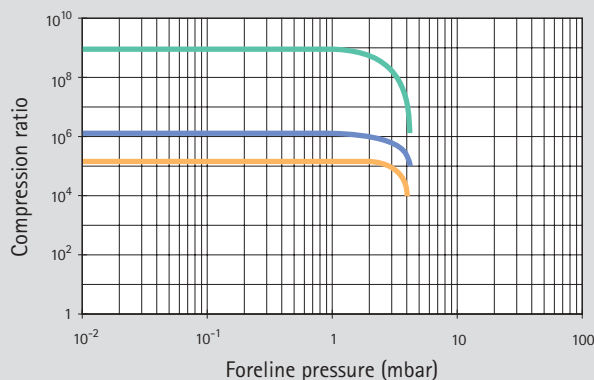
* According to standard DIN 28 428, the base pressure is measured in a leak-free test dome, 48 hours after completion of test dome bake-out, with a Turbopump fitted with a ConFlat flange and using the recommended backing pump.

Pumping Speed vs Inlet Pressure (DN 250 only)



— Nitrogen — Helium — Hydrogen

Compression Ratio vs Foreline Pressure

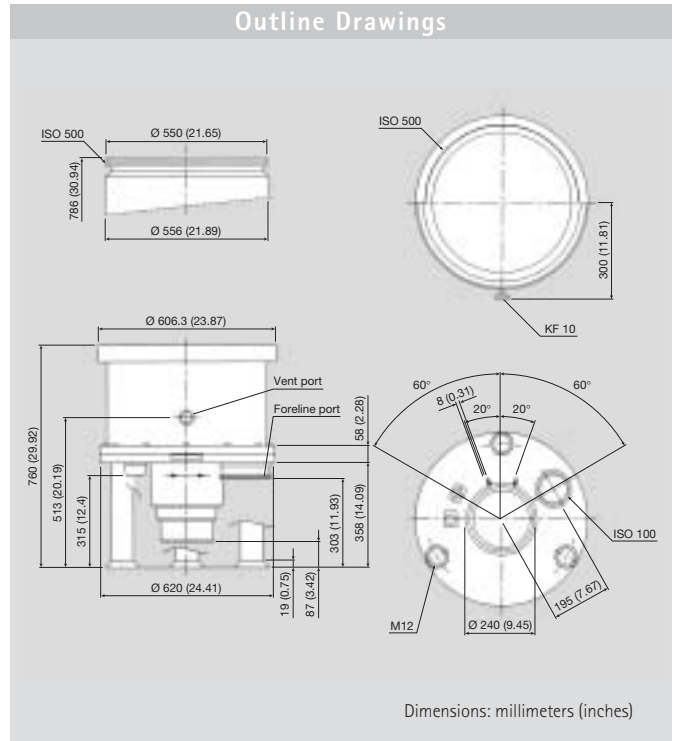


— Nitrogen — Helium — Hydrogen

Ordering Information

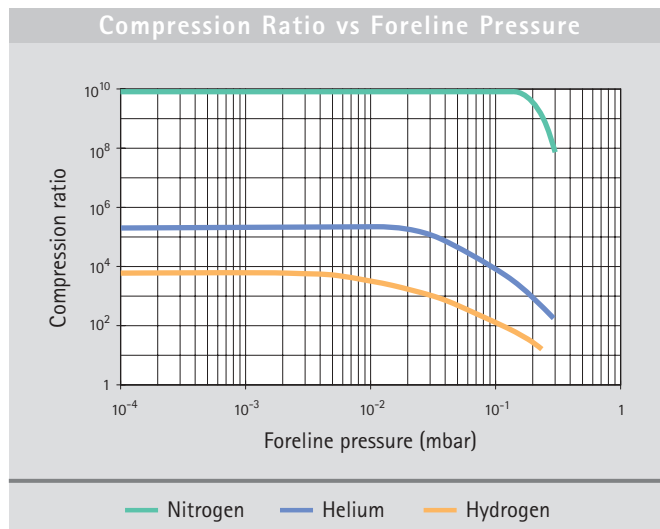
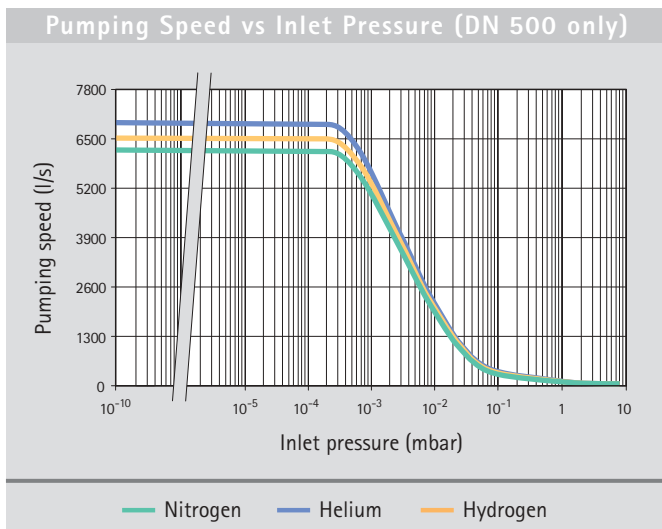
Description	Weight kg (lbs)	Part Number
Pumps		
Turbo-V 2000HT, ISO 250-F bolted flange	44.0 (96.8)	9699059
Turbo-V 2000HT, 12" CF flange	55.0 (121.0)	9699084
Controllers		
Turbo-V 2000HT controller, 220 V	19.0 (42.0)	9699462
Turbo-V 2000HT controller, 120 V	19.0 (42.0)	9699562
Accessories		
Inlet screen, DN 250	1.0 (2.0)	9699350
Water cooling kit	0.5 (1.0)	9699338
Plastic water cooling kit	0.5 (1.0)	9699348
Vent flange, NW 10 KF / M8	0.5 (1.0)	9699108
Vent valve with fixed delay time	2.0 (4.0)	9699843
Vent device with adjustable delay time	2.2 (5.0)	9699831
Heavy duty vent valve	2.2 (5.0)	9699842
Purge valve 10 SCCM NW16KF - M12	0.2 (0.5)	9699239
Purge valve 10 SCCM 1/4 Swagelok - M12	0.2 (0.5)	9699240
Purge valve 20 SCCM NW16KF - M12	0.2 (0.5)	9699241
Purge valve 20 SCCM 1/4 Swagelok - M12	0.2 (0.5)	9699242
Purge valve 10 SCCM 1/4 Swagelok - 1/4 Swagelok	0.2 (0.5)	9699232
Purge valve 20 SCCM 1/4 Swagelok - 1/4 Swagelok	0.2 (0.5)	9699236

Turbo-V 6000



Technical Specifications

Pumping speed l/s	N ₂ : 6,000	He: 7,000	H ₂ : 6,500
Compression ratio	N ₂ : > 1 x 10 ¹⁰	He: 2.3 x 10 ⁵	H ₂ : 8 x 10 ³
Base pressure with recommended mechanical pump:	< 1 x 10 ⁻¹⁰ mbar (< 1 x 10 ⁻¹⁰ Torr)		
Inlet flange	ISO 500		
Foreline flange	ISO 100		
Rotational speed	14,000 rpm		
Startup time	30 minutes		
Recommended forepump	Varian DS 1602		
Operating position	Vertical ±10°		
Cooling requirements	Water		
Bakeout temperature	80 °C at inlet flange (ISO version)		
Vibration level (displacement)	≤ 0.05 μm at inlet flange		
Weight kg (lbs)	250 (550)		
Lubricant	Varian T.A. oil (charge 1,000 cm ³)		



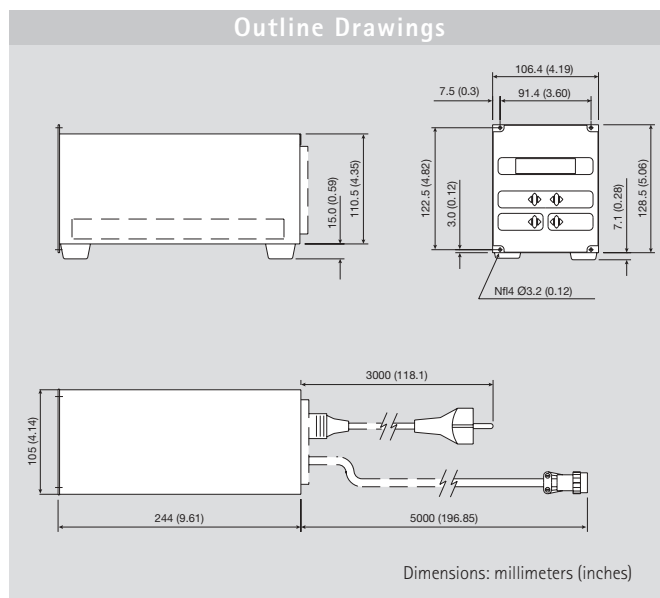
Ordering Information

Description	Weight kg (lbs)	Part Number
Pump		
Turbo-V 6000 pump with ISO 500 inlet flange	282.0 (620.0)	On request
Controllers		
Turbo-V 6000 controller, 120 V	50.0 (110.0)	9699591
Turbo-V 6000 controller, 220 V	50.0 (110.0)	9699491
Accessories		
Inlet screen, DN 500	10.0 (22.0)	9699308
Vent valve with fixed delay time	2.0 (4.0)	9699843
Vent device with adjustable delay time	2.2 (5.0)	9699831
Replacement Parts		
Varian T.A. oil, 100 cm ³	0.5 (1.0)	9699901
Varian T.A. oil, 1000 cm ³	1.4 (3.0)	9699902

Turbo-V 70 Rack Controller



The Turbo-V 70 controller is a microprocessor-controlled frequency converter with self-diagnostic and protection features that ensure the highest degree of reliability. The compact, 1/4 rack unit has a multifunction alphanumeric display for pump status and error code diagnostics. The front panel has a two-line dot matrix LCD display with back lighting. It displays rotational speed as the pump starts up and indicates when full speed is reached. At any time during the operation of



the pump, the speed, current, power, and bearing temperature can be displayed. Additionally, the microprocessor acts as a pump cycle log, and can display the number of vacuum cycles, the cycle time for the current cycle, and the total operating hours on the pump. Remote operation can be accomplished with logic level contact closures or an optional RS 232 line. Brick and PCB controllers are available. Please contact Varian for details.

Technical Specifications

Input	100/120/220/240 V 1 ph, 50/60 Hz
Maximum input power	350 VA
Output voltage	54 VAC, 3 ph
Output frequency	1,250 Hz
Maximum output power	70 W (Data valid for Nitrogen)
Startup power	100 W max
Operating temperature	0 °C to 40 °C
Storage temperature	-20 °C to +70 °C

Ordering Information

Description	Weight kg (lbs)	Part Number
Controllers		
Controller for Turbo-V 70 pump series, 220 V	3.8 (8.4)	9699405
Controller for Turbo-V 70 pump series, 120 V	3.8 (8.4)	9699505
Accessories and Spare Parts		
J1 input mating connector	0.5 (1.0)	9699853
P7 mating plug	0.5 (1.0)	9699854
Mains cable (European plug, 3 m long)	1.0 (2.0)	03.660441-03
Mains cable (American plug, 120 V, 3 m long)	1.0 (2.0)	03.660441-04
Options		
RS232 Computer communication kit	0.5 (1.0)	9699851
P2 output mating connector	0.5 (1.0)	9699852
Rack adapter for controller	2.0 (4.0)	9699191
Controller to pump extension cable (5 m extension)	1.0 (2.0)	9699950L500

Turbo-V 70 and 301 Navigator Controllers

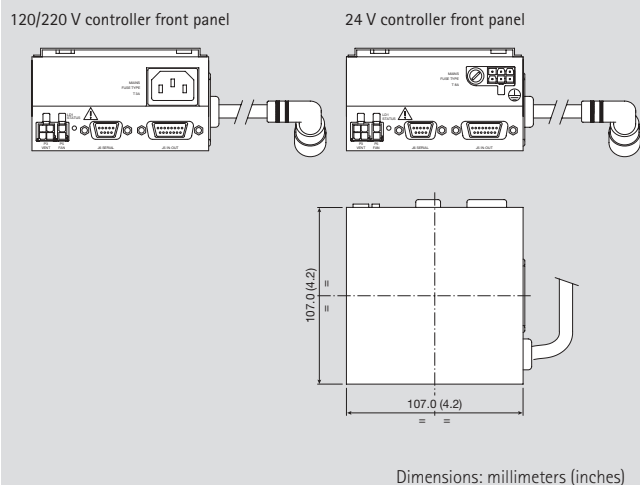


The Turbo-V 70 and 301 Navigator controllers are microprocessor-controlled frequency converters, fully controllable through PC software, with self-diagnostic and protection features that ensure the highest degree of reliability.

Technical Specifications

	Turbo-V 70	Turbo-V 301
Input voltages:		
Navigator controller, 24 Vdc	24 Vdc \pm 10%	24 Vdc \pm 10%
Navigator controller, 120/220 Vac	100/120/220/ 240 Volt, 1 phase, 50/60 Hz	100/120/220/ 240 Volt, 1 phase, 50/60 Hz
Maximum input power:		
Navigator controller, 24 Vdc	100 W	200 W
Navigator controller, 120/220 Vac	200 VA	300 VA
Output voltage	54 Vac, 3 phase	75 Vac, 3 phase
Output frequency	1250 Hz	933 Hz
Nominal power	75 W	150 W
Start-up power	100W	150 W
Operating temperature	0°C to +40°C	0°C to +40°C
Storage temperature	-20°C to +70°C	-20°C to +70°C

Outline Drawings



They can be mounted on board, either on the bottom or on the side of the pump, offering outstanding flexibility and simplicity.

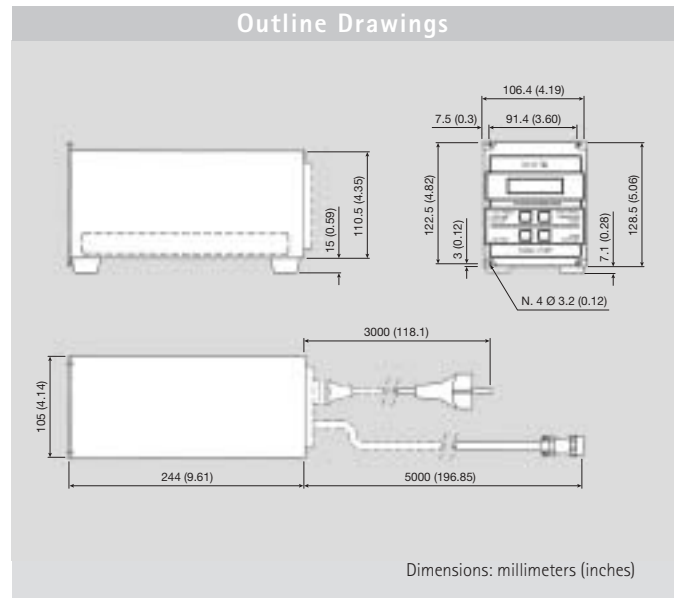
Ordering Information

Description	Weight kg (lbs)	Part Number
Controllers		
Turbo-V 70 Navigator controller, 24 Vdc	1.0 (2.2)	9698970
Turbo-V 70 Navigator controller, 120/220 Vac	1.0 (2.2)	9698971
Turbo-V 301 Navigator controller, 24 Vdc	1.0 (2.2)	9698972
Turbo-V 301 Navigator controller, 120/220 Vac	1.0 (2.2)	9698973
Accessories		
Mains cable NEMA plug, 3m long	0.5 (1.0)	9699958
Mains cable European plug, 3m long	0.5 (1.0)	9699957
Serial cable and Navigator software	0.5 (1.0)	9699883

Turbo-V 301 Rack Controller



The Turbo-V 301 Rack controller is a microprocessor-controlled frequency converter with self-diagnostic and protection features that ensure the highest degree of reliability. The compact, 1/4 rack unit has a multifunction alphanumeric display for pump status and error code diagnostics. The front panel has a two-line dot matrix LCD display with back lighting. It displays rotational speed as the pump starts up and indicates



when full speed is reached. At any time during the operation of the pump, the speed, current, power, and bearing temperature can be displayed. Additionally, the microprocessor acts as a pump cycle log, and can display the number of vacuum cycles, the cycle time for the current cycle, and the total operating hours on the pump. Remote operation can be accomplished with logic level contact closures or the optional RS 232 line.

Technical Specifications

Input voltages:	
Rack controller, 220 Vac	220/240 Volt, 1 phase, 50/60 Hz (Line voltage change over)
Rack controller, 120 Vac	100/120 Volt, 1 phase, 50/60 Hz (Line voltage change over)
Maximum input power	350 VA
Output voltage	75 Vac, 3 phases
Output frequency	933 Hz
Nominal power	150 W
Start-up power	150 W
Operating temperature	0 °C to +40 °C
Storage temperature	-20 °C to +70 °C

Ordering Information

Description	Weight kg (lbs)	Part Number
Controllers		
Turbo-V 301 1/4 Rack controller, 220 V	4.5 (10.0)	9699437
Turbo-V 301 1/4 Rack controller, 110 V	4.5 (10.0)	9699537
Accessories		
J1 input mating connector	0.5 (1.0)	9699853
P7 mating plug	0.5 (1.0)	9699854
Mains cable (European plug, 3 m long)	1.0 (2.0)	03.660441-03
Mains cable (American plug, 120 V, 3 m long)	1.0 (2.0)	03.660441-04
Options		
RS 232 Computer communication kit	0.5 (1.0)	9699851
P2 output mating connector	0.5 (1.0)	9699852
Controller to pump extension cable (5 m extension)	1.0 (2.0)	9699950L500

Turbo-V 551, 701 and 1001 Navigator Controllers

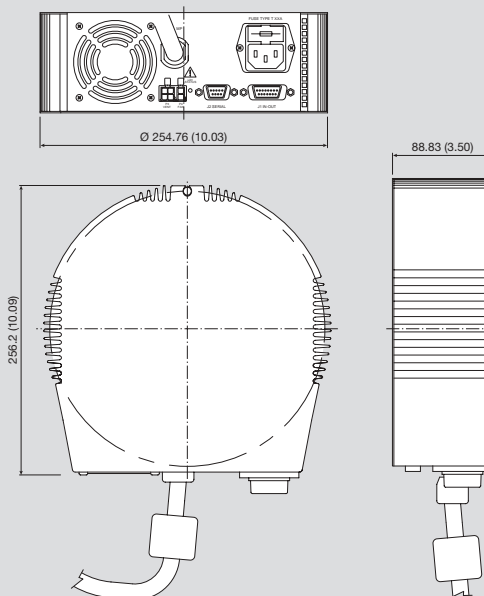


The Turbo-V 551, 701 and 1001 Navigator controllers are microprocessor-controlled frequency converters, fully controllable through PC software, with self-diagnostic and protection features that ensure the highest degree of reliability. They can be mounted on board, either on the bottom or on the side of the pump, offering outstanding flexibility and simplicity.

Technical Specifications

	Turbo-V 551, 701	Turbo-V 1001
Input voltages	100/120/220/240 VAC 50/60 Hz, 1 ph	100/120/220/240 VAC 50/60 Hz, 1 ph
Maximum input power	640 VA	850 VA
Output voltage	54 VAC, 3 ph	54 VAC, 3 ph
Output frequency	714 Hz	640 Hz
Operating temperature	0 °C to +40 °C	0 °C to +40 °C
Storage temperature	-20 °C to +70 °C	-20 °C to +70 °C

Outline Drawings



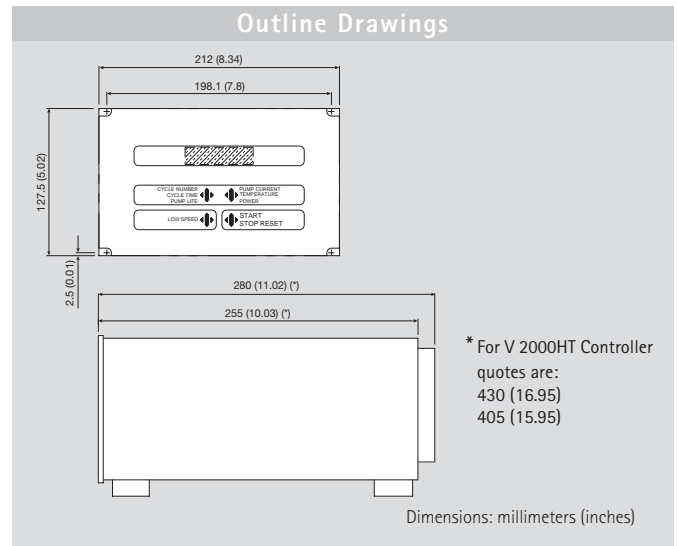
Ordering Information

Description	Weight kg (lbs)	Part Number
Controllers		
Turbo-V551 Navigator controller 120/220 V - 50/60 Hz	3.0 (6.0)	9698974
Turbo-V701 Navigator controller 120/220 V - 50/60 Hz	3.0 (6.0)	9698975
Turbo-V1001 Navigator controller 120/220 V - 50/60 Hz	5.4 (12.0)	9698978
Accessories		
Mains cable NEMA plug, 3 m long	0.5 (1.0)	9699958
Mains cable European plug, 3 m long	0.5 (1.0)	9699957
Serial cable and Navigator software	0.5 (1.0)	9699883

Turbo-V 550, 700HT, 1000HT and 2000HT Rack Controllers



These controllers are microprocessor-controlled frequency converters with self diagnostic and protection features that ensure the highest degree of reliability. The compact, 1/2 rack unit has a multifunction alphanumeric display for pump status and error code diagnostics. The front panel has a two-line dot matrix LCD display with back lighting. It displays rotational speed as the pump starts up and indicates when full speed is reached. At any time during the operation of the pump, the speed, current, power, and bearing temperature can be displayed. Additionally, the microprocessor acts as a pump cycle



log, and can display the number of vacuum cycles, the cycle time for the current cycle, and the total operating hours on the pump. Remote operation can be accomplished with logic level contact closures and with optional computer interfaces. PCB controllers are available. Please contact Varian for details.

Technical Specifications

	V 550	V 700 HT	V 1000 HT	V 2000 HT
Input voltages	100/120/220/240 V 1 ph, 50/60 Hz	100/120/220/240 V 1 ph, 50/60 Hz	100/120/220/240 V 1 ph, 50/60 Hz	100/120/220/240V 1 ph, 50/60 Hz
Maximum input power	600 VA	600 VA	700 VA	1100 VA
Output voltage	56 VAC, 3 ph	56 VAC, 3 ph	56 VAC, 3 ph	120 VAC, 3 ph
Output frequency	700 Hz	700 Hz	633 Hz	550 Hz
Maximum output power*	325 W	350 W	450 W	700 W
Startup power	420 W	420 W	430 W	700 W
Operating temperature	0 °C to +40 °C	0 °C to +40 °C	0 °C to +40 °C	0 °C to +40 °C
Storage temperature	-20 °C to +70 °C	-20 °C to +70 °C	-20 °C to +70 °C	-20 °C to +70 °C

* Data valid for nitrogen.

Ordering Information

Description	Weight kg (lbs)	Part Number
Controllers		
Turbo-V550 Rack controller, 120 V	15.7 (35.0)	9699544
Turbo-V550 Rack controller, 220 V	15.7 (35.0)	9699444
Turbo-V700HT Rack controller, 120 V	15.7 (35.0)	9699545
Turbo-V700HT Rack controller, 220 V	15.7 (35.0)	9699445
Turbo-V1000HT Rack controller, 120 V	15.7 (35.0)	9699554
Turbo-V1000HT Rack controller, 220 V	15.7 (35.0)	9699454
Turbo-V2000HT Rack controller, 120 V	19.0 (42.0)	9699562
Turbo-V2000HT Rack controller, 220 V	19.0 (42.0)	9699462
Accessories		
J1 input mating connector	0.5 (1.0)	9699853
P6 and P7 mating plug	0.5 (1.0)	9699854
Mains cable (European plug, 3 m long)	1.0 (2.0)	03.660441-03
Mains cable (American plug, 120 V, 3 m long)	1.0 (2.0)	03.660441-04

Description	Weight kg (lbs)	Part Number
Options		
RS485 Computer communication kit	5.0 (1.0)	9699856
RS232 Computer communication kit	5.0 (1.0)	9699857
RS422 Computer communication kit	5.0 (1.0)	9699858
P2 output mating connector	5.0 (1.0)	9699852
Rack adapter for controller	2.0 (4.0)	9699191
Controller to pump extension cable (5 m extension) for Turbo-V 550, 700HT, 1000HT	1.0 (2.0)	9699951L0500
Controller to pump extension cable (10 m extension) for Turbo-V 550, 700HT, 1000HT	2.0 (4.0)	9699951L1000
Controller to pump extension cable (5 m extension) for Turbo-V 2000HT	1.0 (2.0)	9699953

Turbo-V 6000 Rack Controller



The Turbo-V 6000 controller is a 19" rack mountable unit. This controller provides the following features:

Remote Operation with System Controller

The Turbo-V controller can accept remote commands with either TTL-compatible logic level signals or with permanent contact closures.

A signal (logic level) indicates that the pump is operating and has achieved normal speed. Also available is the indication of overload due to high-temperature or high-current levels.

System Diagnostics

Front panel LED bar graph displays the controller output frequency and the power drawn by the pump. An overload condition is also indicated and an hour counter monitors the operating hours on the pump to help adhere to the recommended maintenance intervals.

Control of other System Components

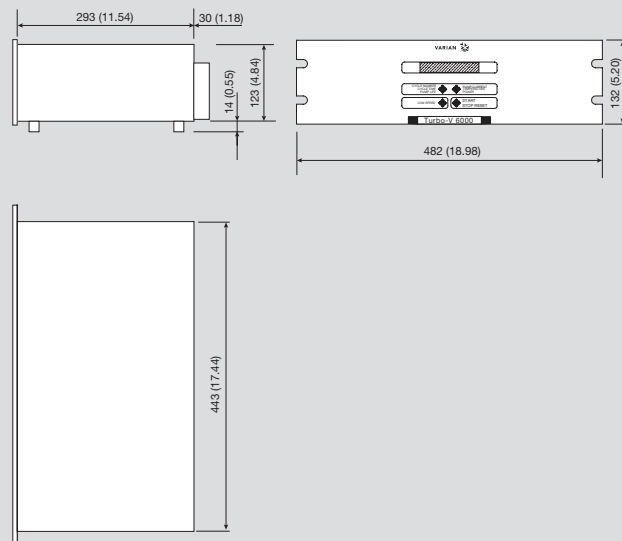
The Turbo-V controller can power the mechanical pump contactor to provide a one-switch control of both Turbo-V and mechanical pump startup. Simultaneous starting of the Turbo-V and mechanical pump is recommended for most applications where no high-vacuum valve is required.

Technical Specifications

Input voltage	120/220 V, 1 ph, 50/60 Hz
Maximum input power	3,000 VA
Output voltage	100 VAC, 3 ph
Output frequency	233 Hz
Maximum output power*	1,500 W
Startup power	2,200 W
Operating temperature	0 °C to +40 °C
Storage temperature	-20 °C to +70 °C

* Data valid for nitrogen

Outline Drawings



Dimensions: millimeters (inches)

The Turbo-V controller provides power to a turbo vent valve, if used.

A starting interlock is available that can be used for delayed starting of the Turbo-V with a contact closure from a vacuum gauge set point. The interlock could also be integrated to a water-flow switch to provide an early warning of interrupted cooling of the pump.

High-pressure Operation

The controller's ability to adjust the Turbo-V pump's rotational speed under high gas load conditions extends the operating range of the Turbo-V pumps into the 10^{-1} mbar range.

RPM Display

Digital display of nominal pump speed.

Ordering Information

Description	Weight kg (lbs)	Part Number
Controllers		
Turbo-V6000 Rack controller, 220 V	50.0 (110.0)	9699491
Turbo-V6000 Rack controller, 120 V	50.0 (110.0)	9699591

Turbo-V Accessories

Inlet Screens

To prevent any possible damage to the pump blades caused by particles falling into the pump, an inlet screen is available as an accessory. The inlet screen is a curved stainless steel mesh. It provides protection against debris larger than 0.7 to 3 mm (depending on the model), while reducing the pumping speed by only about 10%.

For ordering information, see individual pumps.

Heater Bands

To improve the attainable ultimate pressure in a vacuum system as well as to shorten the pump down time, bakeout of the chamber and the turbopump is recommended. To bake out the Turbo-V pumps, heater bands are provided as an option. The heaters are shaped to fit the upper part of the pump envelope and automatically heat up to a temperature of about 80 °C. The required bakeout time is a function of the degree of contamination of the system and the desired base pressure.

For ordering information, see individual pumps.

Air Cooling Kits

A fan is provided as an option for applications requiring forced air flow. The fan is easily installed using the included installation kit. The air cooling kit for the Turbo-V70's can be mounted beside or underneath the pump body. The fans for all the other pump models can be installed in a side location only. The maximum allowable ambient temperature for an effective cooling action is 30 °C. To meet the air flow rate specifications, care must be taken not to restrict or cover the space around the fan so that air can flow freely. The operation of the cooling fan is controlled by the Turbo-V controller.

For ordering information, see individual pumps.

Water Cooling Kits

A water cooling kit is provided to cool the pump when operating at high inlet or high exhaust pressures. The kit is available for the Turbo-V70, V301, 551, 701 and 1001 Navigator, V2000HT pumps. The cooling water can be supplied by an open circuit with drainage or a closed-loop refrigerated system. Care must be taken to secure the tubes to ensure that they do not detach during operation. Four different kits with various tube sizes are available (refer to the following table).

Tube Size	Material	Screw Thread	Part Number
4 x 6 mm (ID x OD)	Plastic	1/8 BSP	9699347
6 x 8 mm (ID x OD)	Plastic	1/4 BSP	9699348
1/4" ID	SST	1/8 BSP	9699337
3/8" ID	SST	1/4 BSP	9699338

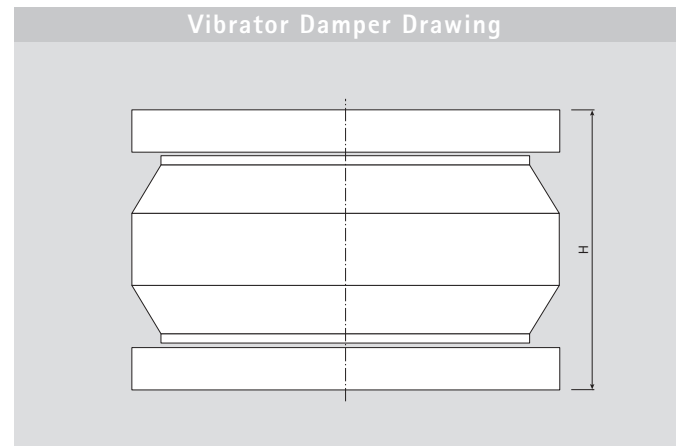
For ordering information, see individual pumps.

Vibration Dampers

Highly sensitive equipment such as an electron microscope and certain analytical instruments require extremely low vibration amplitudes. The dampers reduce turbopump vibration amplitude by at least a factor of 10 at their main frequencies.

They are available up to a size of 200 mm (ISO 200 or CF 10" O.D.). To effectively decouple the equipment from the pump, the vibration damper must be installed between the connecting flanges.

For ordering information, see individual pumps.



	H (mm)	H (inches)
Vibration Damper 4 1/2" CF	96.5	3.80
Vibration Damper 6" CF	101	3.97
Vibration Damper 8" CF	110	4.33
Vibration Damper 10" CF	113	4.45
Vibration Damper 63 ISO	84	3.31
Vibration Damper 100 ISO	84	3.31
Vibration Damper 160 ISO	88	3.46
Vibration Damper 200 ISO	88	3.46

Turbo-V Vent Valve

The Turbo-V Vent Valve, consisting of a control unit and a valve, is a complete unit for automatic venting of the Turbo-V pump when it is switched off or during a power failure. The valve is a normally open, electromagnetically-actuated valve with a filter on the air inlet. The control unit is powered by the Turbo-V controller and is provided with a fixed delay time of about 5 seconds to avoid undesired venting during a temporary power failure and to allow closure of the system valves before venting.

For ordering information, see individual pumps.

Turbo-V Vent Device

To control the venting of the Turbo-V pumps when they are switched off or during a power failure, a vent device is offered. The Turbo-V vent device consists of a normally closed valve and a control unit. The valve is electromagnetically-actuated and has a filter on the air-inlet. The control unit is powered by the Turbo-V controller and has a built-in battery backup. Delay and venting times are adjustable up to 36 minutes to optimize the venting conditions for each application.

For ordering information, see individual pumps.

Handheld Terminal

The handheld terminal is a remote control display for use with V 70 series Turbo-V pumps when connected to a controller without a front panel. It consists of an LCD alphanumeric display and keyboard which provide useful real time indications of the operating conditions and parameters of the turbopump.

Moreover, it allows the reprogramming of the controller parameters and troubleshooting of the pump and controller. The handheld terminal is connected to and powered from the

Turbo-V controller through a 1.5 meter cable.

For ordering information, please call your local Varian Office.

Purge Valve

To protect the bearings of a turbomolecular pump used with aggressive process gases, a measured supply of inert gas (N₂, Ar) must flow into the pump body around the upper bearing toward the fore-vacuum line. The Varian fixed orifice purge valve is calibrated for nitrogen to provide the correct gas flow to safely operate Turbo-V pumps. See Fixed Orifice Purge Valve Selection Guide below.

Fixed Orifice Purge Valve Selection Guide

Pump model	Ordering Information			
	N ₂ Flowrate	Gas Line Connection	Weight kg (lbs)	Part Number
V70/V70D/V70LP				
	10 SCCM	NW16KF	0.2 (0.5)	9699231
	10 SCCM	1/4 Swagelok	0.2 (0.5)	9699234
	20 SCCM	NW16KF	0.2 (0.5)	9699235
	20 SCCM	1/4 Swagelok	0.2 (0.5)	9699238
	10 SCCM	1/4 Swagelok – 1/4 Swagelok*	0.2 (0.5)	9699232
	20 SCCM	1/4 Swagelok – 1/4 Swagelok*	0.2 (0.5)	9699236
V301/V551/V701/1001 Navigator /V2000HT				
	10 SCCM	NW16KF	0.2 (0.5)	9699239
	10 SCCM	1/4 Swagelok	0.2 (0.5)	9699240
	20 SCCM	NW16KF	0.2 (0.5)	9699241
	20 SCCM	1/4 Swagelok	0.2 (0.5)	9699242
	10 SCCM	1/4 Swagelok – 1/4 Swagelok*	0.2 (0.5)	9699232
	20 SCCM	1/4 Swagelok – 1/4 Swagelok*	0.2 (0.5)	9699236

* For remote installation

The Varian Turbo-V Pumps

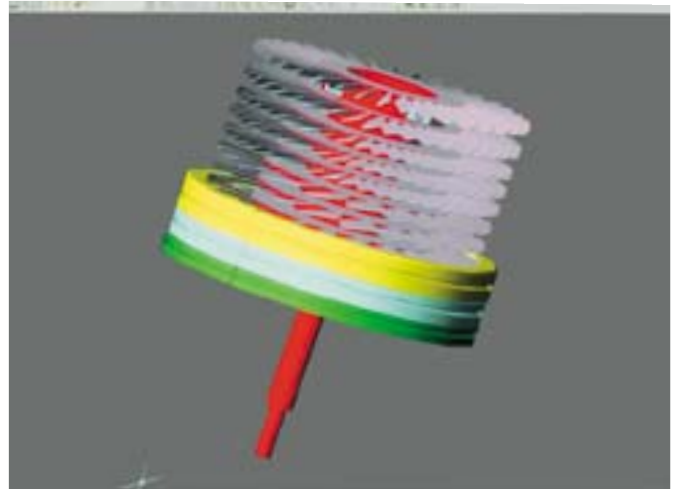
Enjoying the Varian Turbo Experience...

Just imagine 1,250 turns in one second: this is the extraordinary rotational speed of our 70 l/s turbomolecular pump. Isn't it amazing? Consider that when you are driving on an open highway, the wheels of your car make about 15 turns every second. The turbo rotor spins almost 100 times faster!

This is the typical rotational speed of our turbomolecular pumps, designed to meet the most demanding vacuum applications: in the Analytical Instrumentation business, the Semiconductor Market, the Industrial market and the High Energy Physics research facilities.

All of these varied applications require ultimate vacuum performance, reliability, and cleanliness, as well as a service organization that provides rapid response 24 hours a day, 7 days a week. Meeting all of these requirements is our everyday goal.

With more than 50 years of experience in Vacuum Science, Varian leads the market in developing unique design solutions. Examples of our technological achievements include:



In Vacuum

The award winning and unique MacroTorr® pumping stage, with exhaust pressures up to 18 mbar, minimizes the size and cost of your primary pumps. Thanks to a complete set of proprietary numerical modeling tools, the MacroTorr® stages have been optimized for maximum vacuum performances at the minimal energy consumption.

In Mechanics

The dry ceramic ball bearing technology, along with our computer aided balancing system, provide ultimate turbopump reliability with minimal intervention. No oil in the pump, no oil in the vacuum system, no oil to refill.

In Electronics

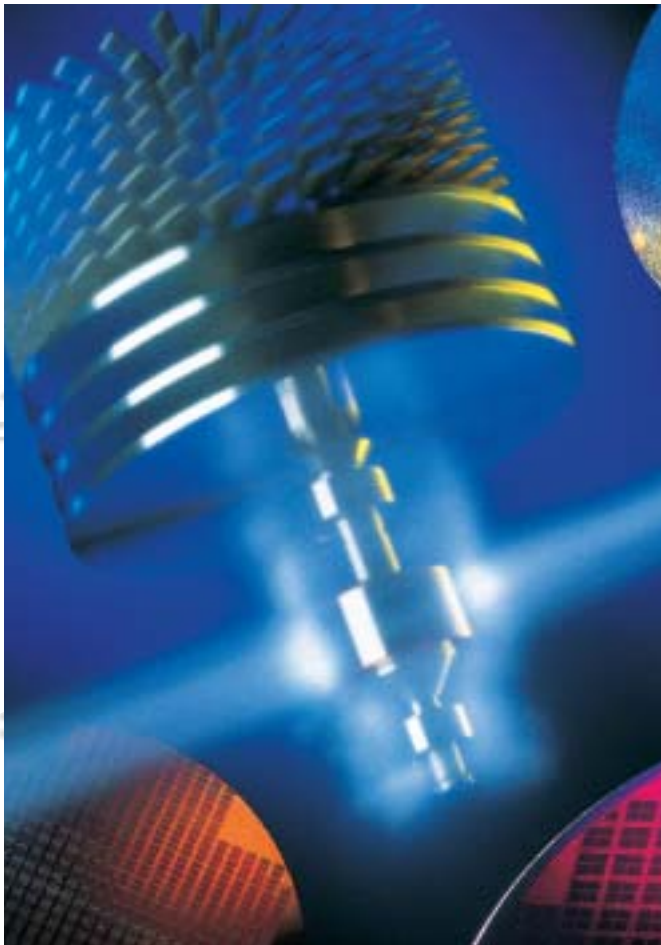
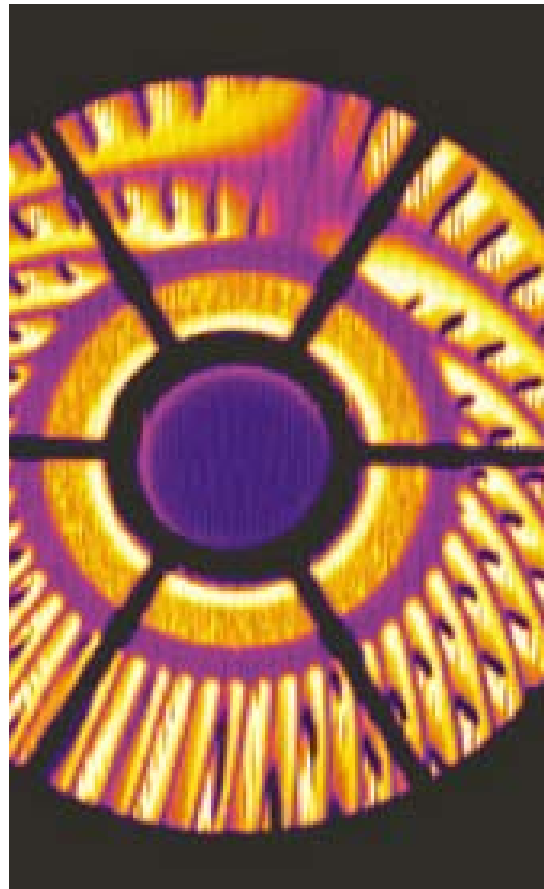
Our microprocessor based pump control units, allow integration on board to the pump and direct pump-to-laptop RS232 serial communications in a user-friendly Windows™ based environment. Please check our special Navigator Software available with any of our Navigator control units.



Last but not least, the MoniTorr System, our intelligent turbopump autodiagnostic system, that continuously monitors the pump's operating parameters and informs the service personnel about the state of the pump, ensuring maximum vacuum system uptime.

Part of our success is due to our Applications based structure. Everything in our organization reflects the will to meet customer needs. Today our R&D Engineers work side by side with the customer's system engineers, linked by the Varian worldwide structure of Application Engineers, designing the vacuum pumping systems that meet customer expectations.

With our complete range of turbo pumps from 70 to 6,000 l/s and a wide selection of pumping groups, Varian has the best solution to meet your needs.



$(\rho u$
 ∂x_j
 $u_j)$

$$\left(\frac{\partial u_j}{\partial x_i} - \frac{2}{3} \frac{\partial u_k}{\partial x_k} \delta_{ij} \right)$$

Turbo-V Pump Technical Notes

Turbopump Operating Principles

Turbomolecular pumps consist of a series of bladed impellers rotating at high speed and fixed bladed stators. These impellers and stators are alternately spaced and are inclined in opposite directions.

The pumping action is based on momentum transfer from the fast moving impeller surface to the gas molecules.

The speed of the moving surface must be as high as possible to achieve optimum pumping efficiency in terms of pumping speed and compression ratio.

When this mechanism takes place several times in a pump a pumping action is created. The sequence of alternating rotors and stators typical of a conventional turbomolecular pump develops the compression ratio.

Turbomolecular drag pumps operate according to the same principle, but with a different geometry in the pumping stages. Gas molecules collide against a fast moving wall and are dragged into a channel toward the high pressure region.

Conventional turbomolecular pumps have high pumping speed but low compression ratio at foreline pressures higher than 10^{-1} mbar. Molecular drag pumps have low pumping speed but high compression ratios up to foreline pressures of more than 20 mbar.

When the two types of stages are combined together in one pump, as in the Varian MacroTorr® pumps, extended operational pressure ranges can be achieved. (See page 42 for further description of the MacroTorr® principle).

Pump Selection

How to Select a Turbo-V Pump

The right choice of a turbomolecular pump depends on the application; as a general rule we can reduce the choice to two types of use:

UHV (no gas flow) operations and Process Gas flow operations.

– UHV (no gas flow) operations.

The former case includes most cases in which the turbomolecular pump is employed to create vacuum in systems where the gas load is mainly produced by outgassing. In this application the choice is typically based on the desired base pressure within a desired time as a function of the foreseen outgassing rate, i.e.

$$S_{\text{eff}} = Q / p$$

where:

- p is the desired base pressure (mbar)
- Q is the total outgassing rate at the desired time (mbar l/s)
- S_{eff} is the effective pumping speed

– Process Gas flow operations.

The second case relates to all operations where process gases must be used. The main parameters are therefore the desired operation pressure and the process gas flow

$$S_{\text{eff}} = Q' / p'$$

where Q' is the total gas flow and p' is the operating pressure.

How to Select the Backing Pump of a Turbomolecular Pump

The selection of a backing pump should be based analyzing two requirements of the vacuum system:

- a. the roughing time
 - b. the minimum recommended backing pump of the turbo
- a. Roughing: once the desired roughing time is established, the size of the forepump can be determined through the following formula:

$$S_{\text{foreline}} = (V / t) \ln (p_0 / p_1)$$

where

- S_{foreline} is the pumping speed of the roughing pump (l/min)
- V is the volume of the chamber to be evacuated (l)
- t is the desired roughing time (min)
- p_0 is the starting pressure (mbar)
- p_1 is the end pressure (mbar)

When using a foreline pump much larger than the recommended size, a by-pass line might be necessary to achieve calculated roughing time.

- b. Backing: the backing pump must be big enough to achieve an effective pumping speed as close as possible to the nominal speed.

$$p_{\text{foreline}} = Q / S_{\text{foreline}}$$

where

- S_{foreline} is the pumping speed of the foreline pump
- Q is the gas load
- p is the operating foreline pressure

It should be noted that Q is the total gas load on the pump and includes process gases and turbo purge gases when used.

The size of the backing pump can be calculated according to the following rule:

$$S_{\text{foreline}} \geq 20S / K$$

where

- S is the pumping speed of the turbopump
- S_{foreline} is the pumping speed of the backing pump
- K is the maximum compression ratio of the turbopump for a given gas (i.e.: process gas) at the operating foreline pressure.

The pumping speed of the backing pump should be the higher of the two values calculated as above (roughing and backing).

Finally, it is possible to use a dry pump (scroll or diaphragm) for hydrocarbon-free operation when pumps of the MacroTorr® type are used.

Turbomolecular Pump Parameters and Definitions

Throughput

"Throughput" is the flow rate of pumped gas through the turbomolecular pump (and foreline pump). Throughput (Q) is measured in mbar l/s \cong 1/60 standard cm³/min. The maximum throughput a pumping system can handle is, in general, dependent upon the size of its foreline pump rather than the turbomolecular pump.

Pumping Speed

"Pumping speed" (S) (volumetric flow rate) of a turbomolecular pump is the ratio between throughput and inlet pressure (foreline pump size must be the recommended one as a minimum).

$$S = Q / p$$

The pumping speed of a turbomolecular pump is constant over a wide pressure range and depends upon geometric factors such as diameter and rotational speed. For most turbomolecular pumps, pumping speed is nearly independent from gas species (molecular weight).

Compression Ratio

"Compression Ratio" is the ratio between foreline (partial) pressure and inlet (partial) pressure for a given process gas, measured in "zero flow" conditions (performed by injecting the process gas in the pump foreline while the high vacuum port is blanked off). Compression ratio is generally indicated with the letter "K".

In technical specifications of turbomolecular pumps, it is the maximum attainable value of K (at low foreline pressure).

Compression ratio is, in fact, a function of the foreline pressure as shown in Figure 1.

Compression ratio decays at high pressure depending on turbomolecular pump configuration (the number of molecular stages) and/or power limitations that slow down the rotor (gas friction increases with pressure).

The maximum compression ratio is strongly influenced by gas species: it is an exponential function of the molecular weight of the pumped gas (compression ratio is considerably lower for light gases).

Pumping Speed and Pressure Ratio

The pressure ratio between foreline and inlet pressures in each operational situation is indicated by "R_p". This is, in general, equal to pumping speed ratio

$$R_p = p_{foreline} / p_{inlet} = S_{eff} / S_{foreline}$$

where S_{eff} is the effective pumping speed, and S_{foreline} is the pumping speed of the foreline pump.

In fact

$$Q = S_{eff} p_{inlet} = S_{foreline} p_{foreline}$$

therefore

$$S_{eff} / S_{foreline} = p_{foreline} / p_{inlet}$$

The pumping speed of a turbomolecular pump is minimally affected by pressure ratio (and foreline pump size) in most common operational conditions (when pressure ratio is much smaller than K).

Generally, however, the effective pumping speed "S_{eff}" is a linear function of the pressure ratio "R_p" as shown in Figure 2 (and therefore is also dependent upon the size of the backing pump).

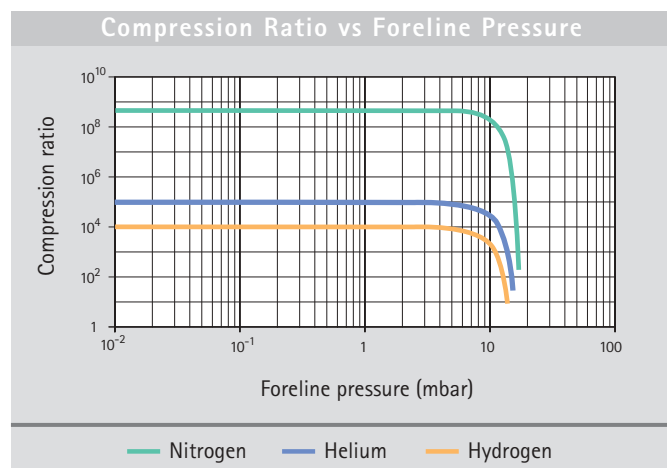


Figure 1

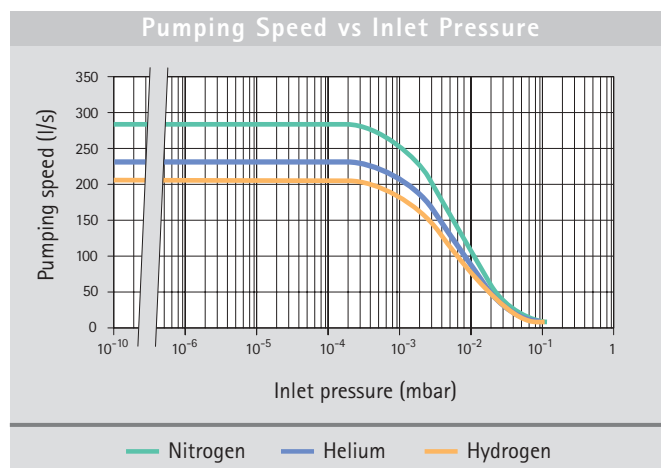


Figure 2

Turbo-V Pump Technical Notes

S_{eff} reaches its maximum value "S" (nominal pumping speed) when " R_p " equals unity, and it is zero when the pressure ratio R_p has reached its maximum value "K".

This linear dependence can be expressed by the following relationship:

$$S_{eff} = S / (1 - 1 / K + S / S_{foreline}K) \quad (1)$$

As it can be seen:

when

$$K \gg S / S_{foreline}$$

and

$$K \gg 1$$

then

$$S_{eff} \cong S$$

when

$$K \cong 1$$

then

$$S_{eff} = S_{foreline}$$

The above formula (1) must be used to evaluate pumping speed when operating at high pressure, especially with light gases (low K).

Base Pressure

The base pressure of a turbomolecular pump is the equilibrium pressure between outgassing of pump surfaces exposed to high vacuum, including test dome, and the pumping speed of the pump.

$$p_{base} = Q_{outgas} / S_{eff}$$

In the case of ultimate operational pressure, as specified by norms, the pressure is measured after 48 hours bakeout of pump and dome (provided with metal gasket); therefore the prevailing outgassing product is H_2 and equilibrium is reached with hydrogen pumping speed.

$$p_{base} = Q_{H_2} / S_{effH_2}$$

When foreline pumps with relatively high base pressures are used, base pressure is sometimes limited by the compression ratio for H_2O (or N_2).

$$p_{base} = p_{forelineH_2O} / K_{H_2O}$$

Vibration Level

Thanks to low vibration, focused design, and computer assisted balancing tools, today turbomolecular pumps generate very low levels of mechanical vibration. This is mainly a result of the numerical modeling of the pump rotodynamics (see Figure 3) and a specific vibration damping system already built into the pump structure. Thanks to

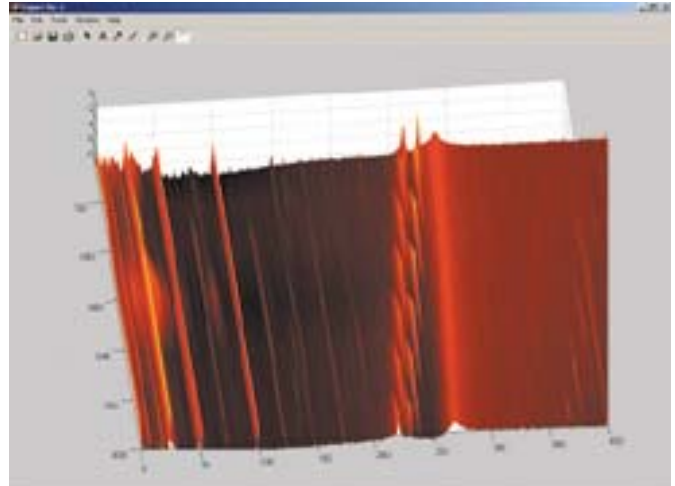


Figure 3

both design features, today ceramic ball bearings pumps are standard even in very high vibration applications like SEM and Metrology Tools.

A typical vibration spectrum of a turbomolecular pump can be seen in Figure 4:

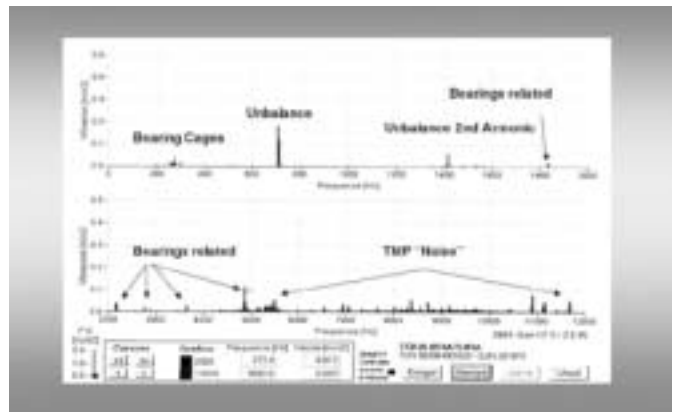


Figure 4

Possible sources of vibration in a turbomolecular pump are unbalanced rotor, high frequency motor or bearings. Rotor unbalance can be reduced to a very low level through dynamic balancing, which minimizes forces caused by a nonsymmetric distribution of masses in relation to the rotational axis. As an order of magnitude, the radial displacement on the pump HV flange after balancing can be as low as $0.001 \mu m$.

The vibrations from a high frequency motor are caused by electromagnetic interactions between the motor stator and rotor: their characteristic frequencies are multiples of the motor driving frequency. Also, the rotor supports generate both white noise and vibrations at specific frequencies of the bearings' moving parts (cage, balls and rotating ring, usually the inner one).

In general, the vibrations caused by an electric motor or bearing are even lower than those caused by unbalance. They may be relevant in the case of bearing damage or because of excitation of a natural resonant frequency of the system connected to the pump. In the second case, the system structure should be modified by adding mass, changing the stiffness and/or inserting a vibration damper between pump and system.

Operation in Presence of Magnetic Fields

Magnetic fields induce eddy currents in the turbomolecular pump rotor that tend to oppose its rotation. As a consequence the power delivered to the electrical motor is increased. Since the pump rotor is not in contact with the stator, all the heat generated by the eddy currents must be dissipated by radiation, so the rotor can be overheated even if the static parts remain cool.

According to our tests, the maximum magnetic field that our pumps can tolerate is:

- 50 Gauss in the transversal direction
- 100 Gauss in the axial direction

In these cases, a power increase to the motor can be expected.

If the magnetic field is greater than the above values a shield must be used in order to have a residual magnetic field around the pump below the value specified.

Please contact Varian for more details.

Electrical Interfacing

The input/output of our controllers have been designed to give maximum flexibility to operate the pump remotely. Two types of interface are offered for the following two controller families:

- HT controllers (including V 70, V 301 rack, V 550, V 700HT, V 1000HT and V 2000HT)
- Navigator controllers (including V 70, V 301, V 551, V 701, V 1001)

Please contact Varian for more details.

Turbomolecular Pump Bearings and Lubrication System

The Turbo-V pumps incorporate Varian's innovative ceramic bearing design with a proprietary ultra-low vapor pressure solid lubricant, which enables these pumps to provide a long service life and a high degree of cleanliness under most operating conditions. This lubrication system is a superior feature of Varian Technology and guarantees no contamination of the vacuum system, especially when compared to other oil-lubricated turbomolecular pumps (See figures 5-6).

The ceramic bearings utilize balls made of silicon nitride, a polycrystalline material with an amorphous intergranular binder base that offers the following advantages:

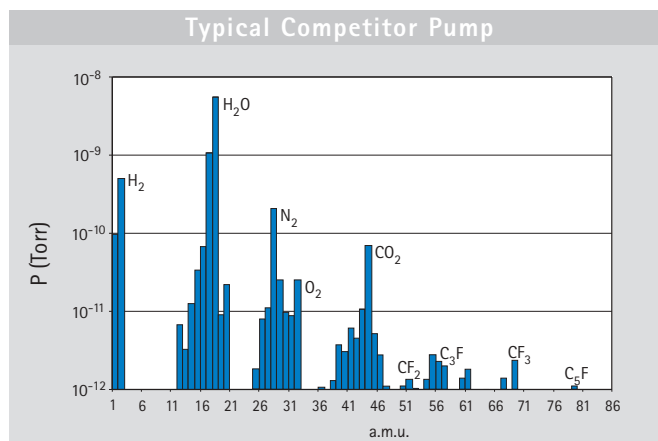


Figure 5

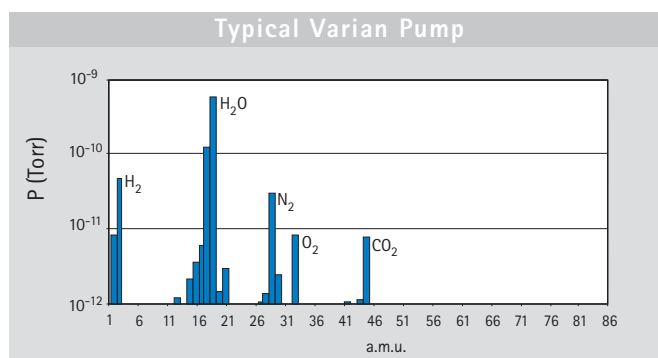


Figure 6

Hardness

This is a critical aspect of bearing design, and it closely relates to bearing performance and reliability. The silicon nitride material used in Varian's Turbo-V bearing system is twice as hard as conventional steel providing dramatic improvement in wear resistance while minimizing the effects of surface contact and stress.

Weight

Silicon nitride is 40% less dense than conventional steels, which helps to reduce centrifugal loading and stress levels at high rotational speeds, especially in the bearing race area.

Friction

Silicon nitride's low coefficient of friction enhances wear resistance and adds to the bearing's operational life.

Thermal Stability

With its low thermal expansion coefficient, the silicon nitride bearing material ensures that tight tolerances and mating component fit will be maintained over an extremely wide temperature range. In addition, silicon nitride has an outstanding resistance to fracture by thermal shock.

Chemical Stability

Silicon nitride is virtually inert.

Turbo-V Pump Technical Notes

Another feature of the Turbo-V bearing system is its proprietary lubricant which has an extremely low vapor pressure and is virtually hydrocarbon free. The use of this lubricant in the permanently sealed bearing system ensures clean, reliable operation without the need for any maintenance whatsoever.

CE/CSA, EMC Electrical Specifications Compliance

Compliance to these norms guarantees that there are no limits on the use of the controllers and turbopumps in every type of ambient, and that their use doesn't create any kind of disturbance to electronic units connected to the same line. Varian's new generation of Turbo controllers comply with the limits given by the following norms:

EN 55011 Class A group 1
EN 61000/3/2
EN 61000/3/3
EN 61000/4/2
EN 61000/4/3
EN 61000/4/4
EN 61010-1
UNI EN 291-1
UNI EN 292-2
EN 1012-2

The MacroTorr® Concept

The Varian award winning, patented MacroTorr® design, which was developed in 1991, is the result of the improvement of the original design of the Gaede molecular pump.

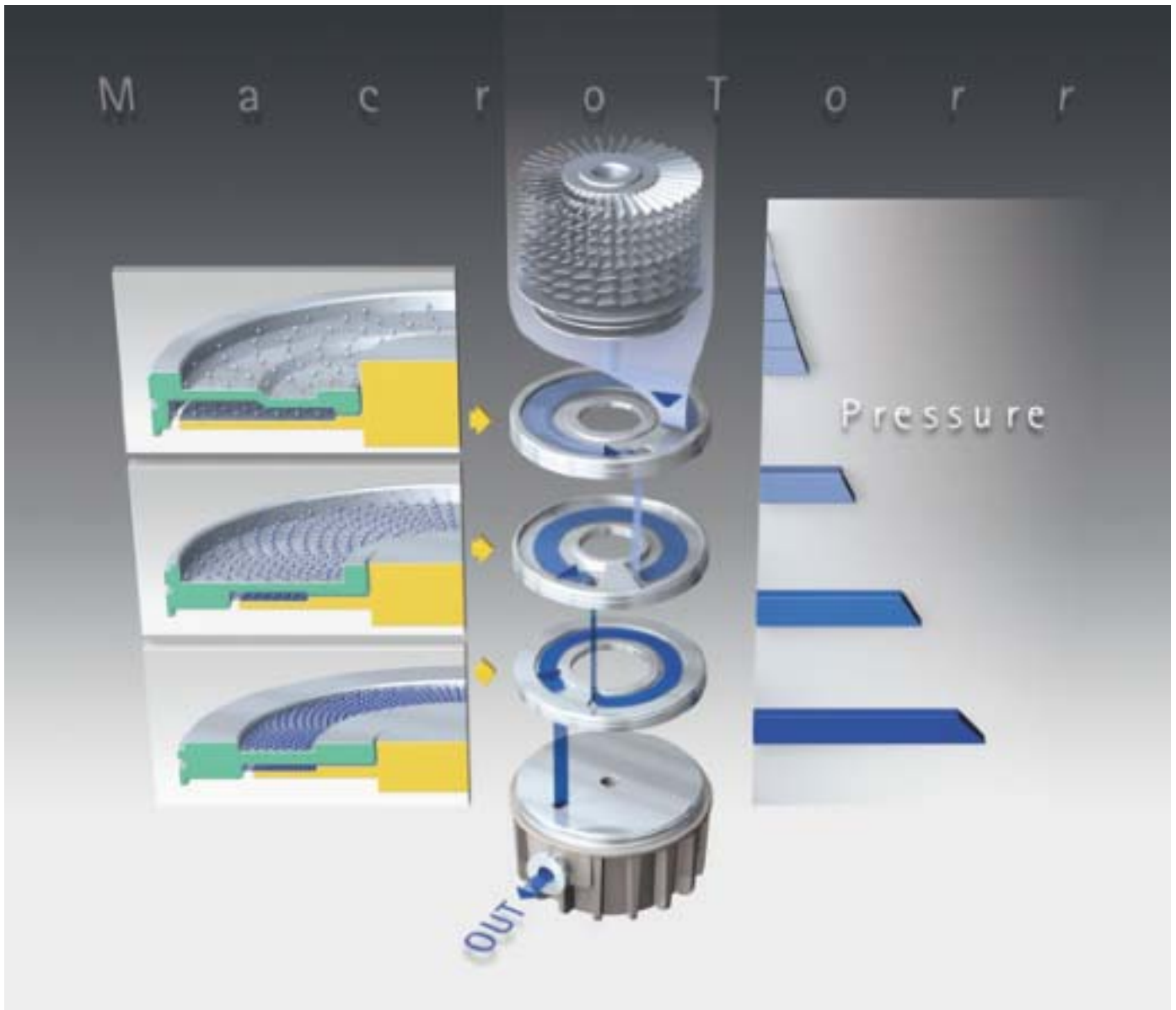
It is based on the idea of replacing (rather than adding) molecular impeller disks to some turbo bladed stages. The molecular impellers consist of a disk rotating in a channel in which the inlet and outlet are divided by a wall.

The cross section of the channels decreases from the top to the bottom of the pump (from high vacuum to low vacuum or from the low pressure to the high pressure zone).

Gas molecules gain momentum after each collision with the moving surface of the impeller.

The gas is then forced to pass through a hole to the next stage due to the wall.

The result is a product that, with the same dimensions as a conventional turbopump, provides: high compression ratios for light gases and high compression ratios at high foreline pressure. This allows the use of a very small mechanical pump while maintaining a low inlet pressure, or the use of a dry pump, for an oil free environment, and high throughput capacity at inlet pressures greater than 10^{-3} mbar.



Turbo Pump Service and Support Plan

Varian Vacuum Technologies offers one of the most comprehensive service and support plans in the industry. As a worldwide, first class company we strive to offer added value to our Customers wherever they may be located. Excellence in Service and Support is a key factor in added value. Support can be accomplished with qualified Engineers and an appropriate logistic infrastructure. Technical skills and infrastructure are two areas where we are continuously making medium and long-term investments. Our daily customer support philosophy is focused on two important factors: fast response and no hassle. This philosophy translates to the three sections of our Turbo Pump Service and Support Plan:

- **Product Support:** Exchange/Repair Program, Extended Warranty, Cleaning Service
- **Technical Assistance:** Customer Support, Application Assistance, Application Training
- **Uptime Services:** Remote Assist and Full Coverage Programs

Varian Vacuum Technologies is committed to providing our Customers with the most comprehensive service plans possible. The following pages detail the standard sections of our Turbo Pump Service and Support Plan. For more information, or if you have a need for customized solutions, please contact your Varian representative.

Product Support

- **Exchange and Repair Programs**

Varian's Turbo Pumps and Controllers offer unmatched reliability, performance and cleanliness.

Often, excellent products are not enough: Varian's constant presence with Customer Service as a responsive partner is what really makes a difference.

To maximize uptime, and for those occasions where time is essential, Varian offers exchange units for advance shipment.

Exchange units are fully reconditioned to the same strict standards as new products. They are kept in stock in North America, Europe, Japan, Korea and Taiwan.

If requested, your Exchange unit can be shipped for overnight delivery. This efficiency is due to our logistic infrastructure and is the result of excellent teamwork among our Service and Customer Service Teams!

The Repair Program is available for those situations where the control of assets is important and when the requested turn around time is less critical.

The Exchange and Repair Programs are available worldwide and allow global OEMs and End-Users consistent delivery time, value pricing, consistent part numbers, and simple order processing procedures.

- **Ordering Information for Varian's Exchange Program**

To order an Exchange unit, add the letters "EX" before the product part number you need to exchange.

After receipt of the exchange unit, you have 20 working days to ship the original unit back to Varian. To request repair of your unit, contact the closest Varian location.



- **Extended Warranty**

Varian's Extended Warranty agreement has been developed to meet the needs of both OEMs and End-Users. By extending the warranty of purchased products, post-sales satisfaction is guaranteed. This is the result of the relevant cost decrease while cost predictability is increased.

The Extended Warranty is a prepaid service agreement that is purchased with new products and consists of an additional 12 months beyond the standard warranty on a single Turbo Pump and Controller set. A maximum of two Extended Warranty agreements may be purchased, for a total extension time of two years.

- **Ordering Information for Varian's Extended Warranty Agreement**

It is possible to purchase the Extended Warranty at the time of new product purchase or anytime within six months of shipment date.

- **12-Month Extended Warranty for Pump and Controller Model**

	Part Number
Turbo-V 70	EW70
Turbo-V 301 Navigator	EW300
Turbo-V 551 Navigator	EW550
Turbo-V 701 Navigator	EW700
Turbo-V 1001 Navigator	EW1000
Turbo-V 2000 HT	EW2000

- **Cleaning Service**

Varian offers a cleaning service in cases where a turbo pump may have been exposed to chemically hazardous materials. This service is available worldwide and allows global OEMs and End-Users consistent delivery time, pricing, part numbers, and order processing procedures.

- **Ordering Information for Varian's Cleaning Service**

Turbo-V Pump Size	Part Number
From V 60 to V 301 Navigator	TURBOCLEAN1
From V 450 to V 701 Navigator	TURBOCLEAN2
From V 1001 Navigator to V 2000HT	TURBOCLEAN3



Turbo Pump Service and Support Plan

Uptime Services

- **Remote Diagnostics**

Varian's Remote Assist Agreements are specifically designed to provide first class support in monitoring your Varian Turbo Pumps to properly perform preventive maintenance activities.

Remote Assist are aimed at preventing unexpected turbo pump failures. Prevention can be made with Varian remote assistance.

Our remote assistance is performed by using our MoniTorr technology and a remote analysis technique that allows the customer to maximize uptime by anticipating pump failures. The MoniTorr is a preventive maintenance device that continuously monitors the Turbo Pump's operating conditions, including vibration spectra and operating parameters. Complete with advanced communication capabilities, the data acquisitions are automatically stored and can be sent periodically to Varian's Technical Support Center.

Customers can choose to communicate with the Technical Support Center by modem connection or e-mail.

The Varian Technical Support Center is organized to receive, analyze and archive the data stored by the MoniTorr. SPC (Statistical Pump Control) is regularly performed on the collected data to compare the present pump behavior against the collected behavioral data. This will indicate if a preventive Turbo pump replacement is required.

Reote Assist are provided through dedicated service agreements.

Please contact your local office, to discuss selecting the most appropriate service agreement to cover your installer base needs.



Technical Assistance

As a Varian Customer, you can rely on an attentive and professional support staff, dedicated to providing you with the easiest and most personalized service solution possible.

- **Customer Support**

Our toll-free lines, with mother tongue Technical Support Engineers at worldwide locations, allow us to provide you with quick, corrective responses to your needs. Whenever a new problem is identified and solved by our support personnel, it is entered into our technical support system and becomes available to all Varian technical support centers. This system allows all Varian locations to provide excellent first and second level technical support to customers worldwide. In addition, the technical support centers are in daily contact with our R&D departments for third level support.

Call us today for more information.

Americas

North America: Tel. 1.800.882.7426 (toll-free)
 Tel. 1.800.8VARIAN (toll-free)
 Fax (1) 781.860.5465

Central and South America: Tel. (1) 781.861.7200
 Fax (1) 781.860.5465

Asia

Japan: Tel. (81) 3.5232.1211 (dedicated line)
 Fax (81) 3.5232.1263 (dedicated line)

Korea: Tel. (82) 2.3452.2452 (dedicated line)
 Fax (82) 2.3452.2451 (dedicated line)

Taiwan: Tel. 0800-051342 (toll-free)
 Fax (886) 2.2698.9678 (dedicated line)

China: Tel. 800.820.8266 (toll-free)
 Fax (86) 21.6375.6848 (dedicated line)

Europe and Israel

Austria, Belgium, France, Germany, Holland, Ireland, Israel (*), Italy, Portugal, Spain, Switzerland, UK:

 Tel. 00.800.234.234.00 (toll-free)
 Fax 00.800.345.345.00 (fax free)

(*) From Israel dial 012 instead of initial 00

Other Countries

 Tel. (39) 011.9979.369 (dedicated line)
 Fax (39) 011.9979.330 (dedicated line)



- **Application Support – Application Training**

Varian has a leadership position in vacuum technology with continuous search for innovative solutions through research and development.

To meet the most demanding needs, our Application Engineer Team can bring our knowledge into your factory. Application Support is a project-based activity where our experts assist you towards the solution of your application issues that might arise pre-sales or post-sales.

By designing solutions that meet customer needs, Varian aims to create a positive and synergetic relationship with customers. Our experts can keep you well-informed and up-to-date on industrial and scientific applications with the goal of optimizing the use of our products on your system as well as the development of new vacuum techniques.

Varian, Inc. Vacuum Technologies

Benelux

Varian Vacuum Technologies
Rijksstraatweg 269 H,
3956 CP Leersum
The Netherlands
Tel: (31) 343 469910
Fax: (31) 343 469961

Canada

Central coordination through:
Varian Vacuum Technologies
121 Hartwell Avenue
Lexington, MA 02421
USA
Tel: (781) 861 7200
Fax: (781) 860 5437
Toll Free # 1 (800) 882 7426

China

Varian Technologies - Beijing
Room 1201, Jinyu Mansion
No. 129A, Xuanwumen Xidajie
Xicheng District
Beijing 100031
P.R. China
Tel: (86) 10 6641 1530
Fax: (86) 10 6641 1534

France and Wallonie

Varian s.a.
7 avenue des Tropiques
Z.A. de Courtaboeuf - B.P. 12
Les Ulis cedex (Orsay) 91941
France
Tel: (33) 1 69 86 38 13
Fax: (33) 1 69 28 23 08

Germany and Austria

Varian Deutschland GmbH
Alsfelder Strasse 6
Postfach 11 14 35
64289 Darmstadt
Germany
Tel: (49) 6151 703 353
Fax: (49) 6151 703 302

India

Varian India PVT LTD
101-108, 1st Floor
1010 Competent House
7, Nangal Raya Business Centre
New Delhi 110 046
India
Tel: (91) 11 5548444
Fax: (91) 11 5548445

Italy

Varian Vacuum Technologies
via F.lli Varian 54
10040 Leini, (Torino)
Italy
Tel: (39) 011 997 9 111
Fax: (39) 011 997 9 350

Japan

Varian Vacuum Technologies
Sumitomo Shibaura Building, 8th Floor
4-16-36 Shibaura
Minato-ku, Tokyo 108
Japan
Tel: (81) 3 5232 1253
Fax: (81) 3 5232 1263

Korea

Varian Technologies Korea, Ltd
Shinsa 2nd Bldg. 2F
966-5 Daechi-dong
Kangnam-gu, Seoul
Korea 135-280
Tel: (82) 2 3452 2452
Fax: (82) 2 3452 2451

Mexico

Varian, S. de R.L. de C.V.
Concepcion Beistegui No 109
Col Del Valle
C.P. 03100
Mexico, D.F.
Tel: (52) 5 523 9465
Fax: (52) 5 523 9472

Russia

Central coordination through:
Varian Vacuum Technologies
via F.lli Varian 54
10040 Leini, (Torino)
Italy
Tel: (39) 011 997 9 252
Fax: (39) 011 997 9 316

Taiwan

Varian Technologies Asia Ltd.
14F-6, No.77, Hsin Tai Wu Rd., Sec. 1
Hsi chih, Taipei Hsien
Taiwan, R.O.C.
Tel: (886) 2 2698 9555
Fax: (886) 2 2698 9678

UK and Ireland

Varian Ltd.
28 Manor Road
Walton-On-Thames
Surrey KT 12 2QF
England
Tel: (44) 1932 89 8000
Fax: (44) 1932 22 8769

United States

Varian Vacuum Technologies
121 Hartwell Avenue
Lexington, MA 02421
USA
Tel: (781) 861 7200
Fax: (781) 860 5437

Other Countries

Varian Vacuum Technologies
via F.lli Varian 54
10040 Leini, (Torino)
Italy
Tel: (39) 011 997 9 111
Fax: (39) 011 997 9 350

Toll Free Number for United States
1 (800) 882 7426

Toll Free Number for Europe
00 800 234 234 00



All specifications are subject
to change without notice.
Copyright by Varian SpA

