

Oil Rotary Vacuum Pump [PKS Series]

The PKS series models are extremely durable, large oil rotary vacuum pumps with very stable pumping characteristics.



PKS-030

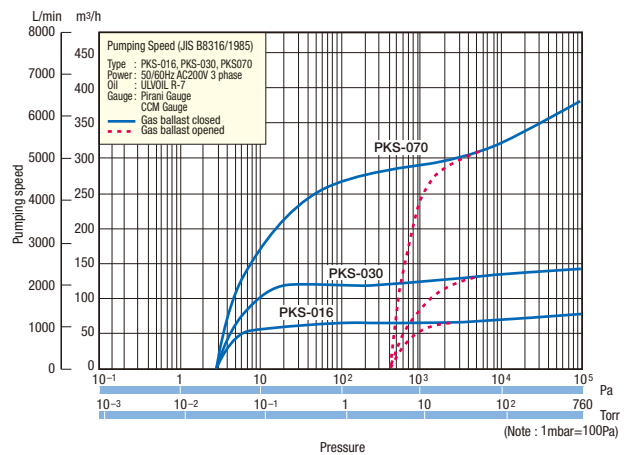
Features

- ▶ The single-stage design of the rotary plunger vacuum pump is robust and very reliable.
- ▶ High-grade cast iron is used, providing strength and resistance to abrasion.
- ▶ Disassembly and reassembly for maintenance is quite simple. Exhaust valve inspection is also easy.

Applications

- ▶ Vacuum heating furnace
- ▶ Vacuum molding
- ▶ Vacuum drying
- ▶ Vacuum distillation
- ▶ Vacuum packing, etc.

Pumping Speed Curves



*These are representative curves based on actual measurement data.

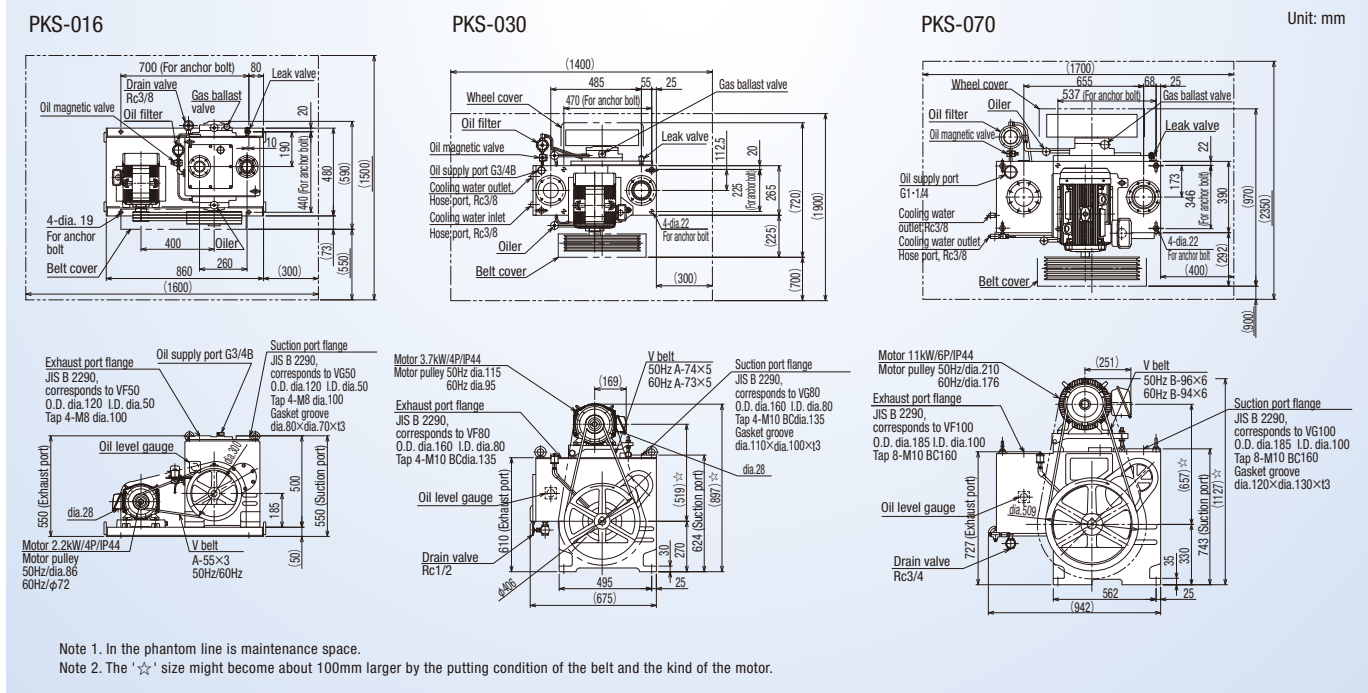
Oil Rotary Vacuum Pump [PKS Series]

Specifications

| Model | | PKS-016 | PKS-030 | PKS-070 | |
|------------------------|--|-----------------------------------|------------------------|---------------------|-------------|
| Designed pumping speed | m ³ /hr | 96 | 180 | 420 | |
| | L/min | 1600 | 3000 | 7000 | |
| | CFM | 56.5 | 105.94 | 247.2 | |
| Ultimate pressure *1 | Pa | 2.7 | | | |
| | Torr | 2×10 ⁻² | | | |
| | mbar | 2.7×10 ⁻² | | | |
| Motor *2 *3 | Type | Totally Enclosed Fan Cooled Motor | | | |
| | kw (number of poles) | 2.2 (4) | 3.7 (4) | 11 (6) | |
| | HP (number of poles) | 2.95 (4) | 4.96 (4) | 14.95 (6) | |
| | Voltage/Frequency | 200V/50Hz, 200V/60Hz, 220V/60Hz | | | |
| Oil *4 | | ULVOIL R-7 | | | |
| Oil capacity | L | 6.5 | 8 | 20 | |
| Cooling method | | Air cooled | Water cooled | | |
| Cooling water | Primary side pressure | MPa | ≦0.3 (Gauge pressure) | | |
| | | psi | ≦43.5 (Gauge pressure) | | |
| | Inlet/outlet water pressure differential | MPa | ≦0.1 (Gauge pressure) | | |
| | | psi | ≦14.5 (Gauge pressure) | | |
| | Flow rate | L/min | 3 | 5 | |
| Temperature | °C | 5 to 30 | | | |
| | °F | 41 to 86 | | | |
| Inlet | JIS B2290 | VG50 equivalency | VG80 equivalency | VG100 equivalency | |
| Outlet | JIS B2290 | VF50 equivalency | VF80 equivalency | VF100 equivalency | |
| Weight | kg | 225 | 380 (without motor) | 900 (without motor) | |
| External dimensions | W×L×H | mm | 590×860×550 | 720×675×897 | 970×942×897 |
| Certification | | CE (Option) | | | |
| Options | | Oil mist trap TM-2 | Oil mist trap TM-3 | Oil mist trap TM-4 | |

- *1 Measured with a Pirani gauge.
- *2 The pump is also compatible with a increased safety explosion-resistant motor, and pressure resistant explosion-resistant flange motor.
- *3 Other voltage is available upon request.
- *4 Other oil types are available, upon request.

Dimensions



ULVAC, Inc. Components Division

www.ulvac.co.jp/eng

Overseas Sales in Japan TEL +81-467-89-2261

USA : ULVAC Technologies, Inc. TEL +1-978-686-7550
 GERMANY : ULVAC GmbH TEL +49-89-960909-0
 CHINA : ULVAC (SHANGHAI) Trading Co.,Ltd. TEL +86-21-6127-6618
 TAIWAN : ULVAC TAIWAN, Inc. TEL +886-3-579-5688
 KOREA : ULVAC KOREA, Ltd. TEL +82-31-683-2922
 SINGAPORE : ULVAC SINGAPORE PTE LTD TEL +65-6542-2700

PHILIPPINES : ULVAC Singapore Philippines Branch TEL +63-2-828-7700
 VIETNAM : ULVAC Singapore Vietnam Representative Office TEL +84-8-62556762
 THAILAND : ULVAC (THAILAND) LTD TEL +66-2-312-4447
 MALAYSIA : ULVAC MALAYSIA SDN. BHD. TEL +60-3-5121-4700
 INDIA : ULVAC, Inc., India Branch TEL +91-40-27007006

PHILIPPINES : ULVAC Singapore Philippines Branch TEL +63-2-828-7700
 VIETNAM : ULVAC Singapore Vietnam Representative Office TEL +84-8-62556762
 THAILAND : ULVAC (THAILAND) LTD TEL +66-2-312-4447
 MALAYSIA : ULVAC MALAYSIA SDN. BHD. TEL +60-3-5121-4700
 INDIA : ULVAC, Inc., India Branch TEL +91-40-27007006

▶ This catalog is subject to change without notice.
 ▶ This catalog is published in order to sell this product in overseas. Please see Japanese catalog when purchasing in Japan.