

OPERATING INSTRUCTIONS

EN

Translation of the original instructions

OME 16 M / ATEX, OME 25 M / ML / MXL

Oil Mist Eliminator

PFEIFFER  **VACUUM**

Table of contents

1	About this manual	3
	1.1 Validity	3
	1.2 Conventions	3
2	Safety	5
	2.1 Safety precautions	5
	2.2 Proper use	5
	2.3 Improper use	5
3	Transport and storage	6
	3.1 Storage	6
4	Product description	6
	4.1 Product identification	6
	4.2 Function	7
5	Installation	8
	5.1 Assembly	8
	5.2 Installing the operating fluid return line	9
6	Operation	15
7	Maintenance	16
	7.1 Draining the operating fluid	16
	7.2 Changing the filter element	17
	7.3 Cleaning the operating fluid return line	19
8	Service	22
9	Accessories	23
10	Technical data	24
	10.1 Dimensions	25
11	Spare parts	26
	11.1 Spare parts packages	26
12	Disposal	27

1 About this manual

1.1 Validity

This operating manual is for customers of Pfeiffer Vacuum. It describes the functioning of the designated product and provides the most important information for safe use of the unit. The description follows applicable EU guidelines. All information provided in this operating manual refers to the current state of the product's development. The documentation remains valid as long as the customer does not make any changes to the product.

Up-to-date operating instructions can also be downloaded from www.pfeiffer-vacuum.com.

1.2 Conventions

Safety instructions

The safety instructions in Pfeiffer Vacuum operating instructions are the result of risk evaluations and hazard analyses and are oriented on international certification standards as specified by UL, CSA, ANSI Z-535, SEMI S1, ISO 3864 and DIN 4844. In this document, the following hazard levels and information are considered:

DANGER
<p>Imminent danger Indicates an imminent hazardous situation that will result in death or serious injury.</p>
WARNING
<p>Possibly imminent danger Indicates an imminent hazardous situation that can result in death or serious injury.</p>
CAUTION
<p>Possibly imminent danger Indicates an imminent hazardous situation that can result in minor or moderate injury.</p>
NOTICE
<p>Command or note Command to perform an action or information about properties, the disregarding of which may result in damage to the product.</p>

Pictographs



Prohibition of an action to avoid any risk of accidents, the disregarding of which may result in serious accidents



Warning of a displayed source of danger in connection with operation of the unit or equipment



Command to perform an action or task associated with a source of danger, the disregarding of which may result in serious accidents



Important information about the product or this document

Instructions in the text

→ Work instruction: here you have to do something.

Abbreviations

OME: Oil mist eliminator

ODK: Oil drain kit (oil return device)

KAS: Condensate separator

Symbols used

The following symbols are used consistently throughout in all illustrations:

- ⊙ Vacuum flange
- ⊖ Exhaust flange
- ⊗ Connection flange OME

2 Safety

2.1 Safety precautions



Duty to inform

Each person involved in the installation or operation of the unit must read and observe the safety-related parts of these operating instructions.

→ The operator is obligated to make operating personnel aware of dangers originating from the unit or the entire system.

- Before carrying out any work read and observe the operating and safety instructions of the pumping station and the individual components.
- Observe the safety and accident prevention regulations.
- Check regularly that all safety precautions are being complied with.
- When returning the components to us please note the instructions in the Service section.

2.2 Proper use

- Only use the oil mist eliminator to filter oil mist from the gas flow of rotary vane pumps.
- Simply mount the OME onto the exhaust port of rotary vane pumps.
- Use the OME in accordance with the corresponding approved pumping speed.

2.3 Improper use

Improper use will cause all claims for liability and warranties to be forfeited. Improper use is defined as usage for purposes deviating from those mentioned above, especially:

- pumping of corrosive gases
- connection to pumps or units which are not suitable for this purpose according to their operating instructions
- connection to units which have exposed voltage-carrying parts
- use of accessories or spare parts, which are not named in this manual
- pumping-off of gases and vapors that may be prone to polymerization or may resinify the filter inserts

3 Transport and storage

3.1 Storage

The OME should be stored dry and protected from moisture. The filter inserts can absorb moisture, and the lubrication properties of the oil and hence the ultimate pressure can be negatively influenced in pumps with an oil return unit.

4 Product description

4.1 Product identification

To correctly identify the product when communicating with Pfeiffer Vacuum, always have the information from the rating plate available.

- Model and model number
- Herstellungsdatum

Variants

Type	Connection nominal diameter	intended for pump type
OME 16 M	DN 16 ISO-KF	Uno 2.5, Uno 5, Uno 6, Duo 1.3, Duo 2.5, Duo 5 M Duo 1.6, Duo 3, Duo 6, Duo 11
OME 16 ATEX	DN 16 ISO-KF	Duo 11 ATEX
OME 25 M	DN 25 ISO-KF	Duo 10 M, Penta 10, Pascal 2005/2010
OME 25 ML	DN 25 ISO-KF	Duo 20 M, Penta 20, TWIN 20-10 Pascal 2015/2021
OME 25 MXL	DN 25 ISO-KF	Uno 30 M, Penta 35

4.2 Function

The oil mist eliminator is mounted on the exhaust port of rotary vane pumps. It filters oil mist particles out of the supported stream of gas, thereby reducing the operating fluid mist discharge.

The filter elements have been installed in a corrosion-resistant aluminium casing and consist of a glass polyester fleece cylindrical filter. A built-in pressure relief valve opens if the filter element becomes too dirty so that the maximum operating pressure never goes above 1500 hPa (absolute). The collected operating fluid can be observed through a sight-glass and discharged with a drain screw.

To return the filtered operating fluid from the OME into the pump without interrupting the pump operation, an operating fluid return (optional) can be used.

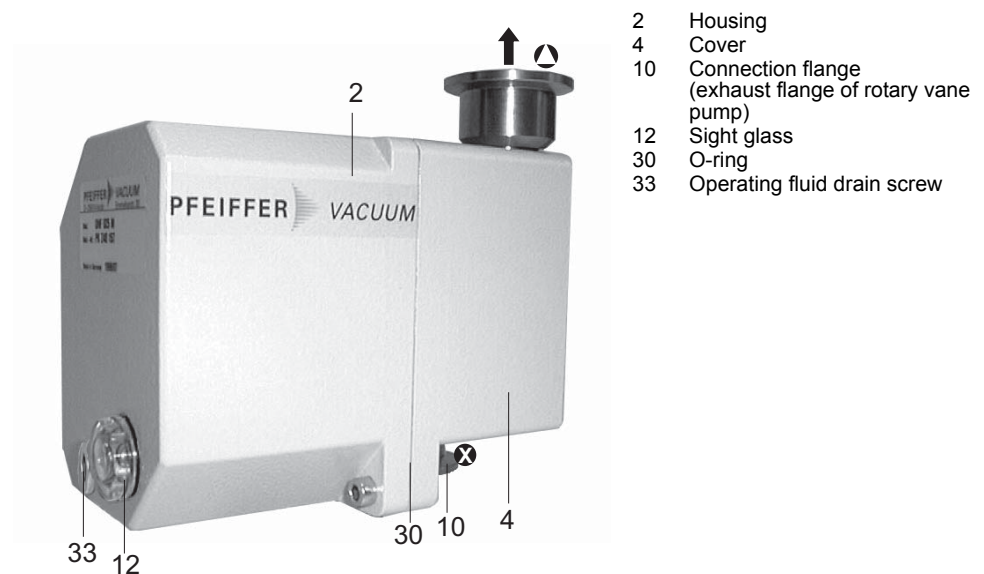


Fig. 1: OME 16 M

Operating fluid return line

If the operating fluid accumulated in the OME reaches a specified level, the operating fluid is channeled via differential pressure back into the rotary vane pump. Condensate concentrates underneath the oilpan and has to be drained when necessary so as not to impair the operation of the pump.

The use of the operating fluid return increases the operational safety of the pump and reduces the maintenance requirements.

5 Installation

5.1 Assembly

To install the OME in a vacuum system, ISO small flanges or ISO clamp flanges are provided on the input side and output side. The flanges are provided with protective caps when delivered to protect the sealing surfaces.

If gases are pumped that may not enter the atmosphere, an exhaust line must be connected to the exhaust flange.

If large amounts of vapor arise during operation, it is recommendable to install a condensate separator between the rotary vane pump and OME so that condensate is removed in the KAS, and only oil mist enters the OME.

The OME can also be mounted beside the pump. When doing this, the position of the installation must be maintained and the connecting and return drainage pipes going down towards the pump be moved.



WARNING

Poisonous substances exit from the exhaust!

There is a poisoning hazard from discharged gases or vapors that can be hazardous and/or polluting during use.

- Install and run the exhaust line so that overpressure cannot build up inside it.
- Follow the vacuum pump installation instructions in the respective operating instructions.



NOTICE

Vacuum component

Dirt and damage impair the function of the vacuum component.

- When handling vacuum components, ensure that they are kept clean and are protected against damage.
- Ensure that the connection flange is clean, dry and free of grease.



- Turn off the vacuum pump, vent to atmospheric pressure and allow to cool.
- Remove the protective caps from the connection flanges.
- Place the OME on the exhaust side of the rotary vane pump with the sight glass facing downward onto the flange, and fasten it with the clamping ring (accessory) or bracket screws (accessory), if clamp flanges are used; observe centering ring (accessory).
- If a **centring-ring with an outlet nozzle** has been fitted at the side of the pump, replace this with a standard version centring-ring.
- If an exhaust valve **has been fitted in** at the side of the pump, this must be removed.
- Lay exhaust line from the OME sloping downward so that no condensate can flow back.
 - If an air trap is created in the system, then a device for draining condensation water must be provided at the lowest point.

OME 16 ATEX

If an ATEX version has been installed a **stainless-steel clamping ring** must definitely be used. This clamping ring comes included with the pump and ensures that the OME is properly grounded.

5.2 Installing the operating fluid return line



NOTICE

Make sure that the return for the operating fluid is working properly.

The operating fluid can only be sucked out and returned when there is a minimum amount of operating fluid in the oil mist eliminator.

→ If necessary, top up with operating fluid in order to ensure the return of operating fluid at the start of the evacuation phase.

→ Pour the operating fluid slowly into the outlet flange of the oil mist eliminator until it can be seen in the sight-glass.

- Unscrew operating fluid drain screw 33.
- Drain off operating fluid.
- Separate the operating fluid from the condensate.
 - If the drained operating fluid is free of contamination, it can be reused.

UnoLine, DuoLine

OME 16 M

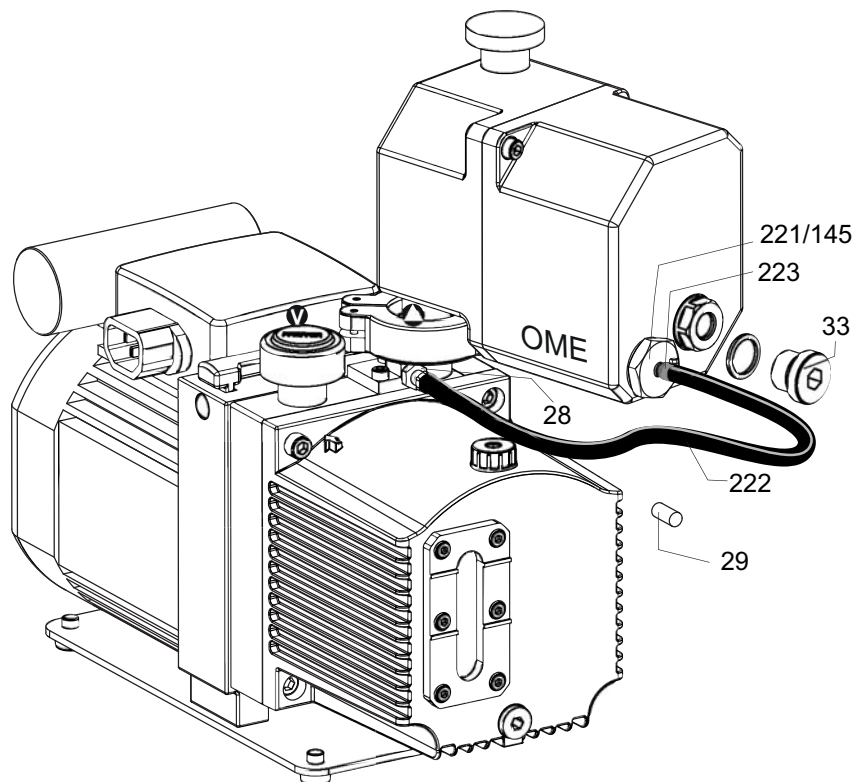


Fig. 2: Duo 3 with OME 16 M and ODK

33	Drain screw for operating fluid	145	O-ring	222	Operating fluid return hose
28	Screw fitting	221	Hose	223	Hose clamp
29	Closure cap				

- Screw in hose connection 221 in place of the operating fluid drain screw 33; take care with O-ring 145.
- Unscrew and remove the union nut of the screw fitting 28 and remove the sealing plug 29.
- Fit operating fluid return hose 222 at both sides,
 - keep the hose as short as possible and protect it from bending.
- Tighten the union nut of the screw fitting 240.
- Fasten hose clip 223.

OME 16 M
 OME 25 M
 OME 25 ML

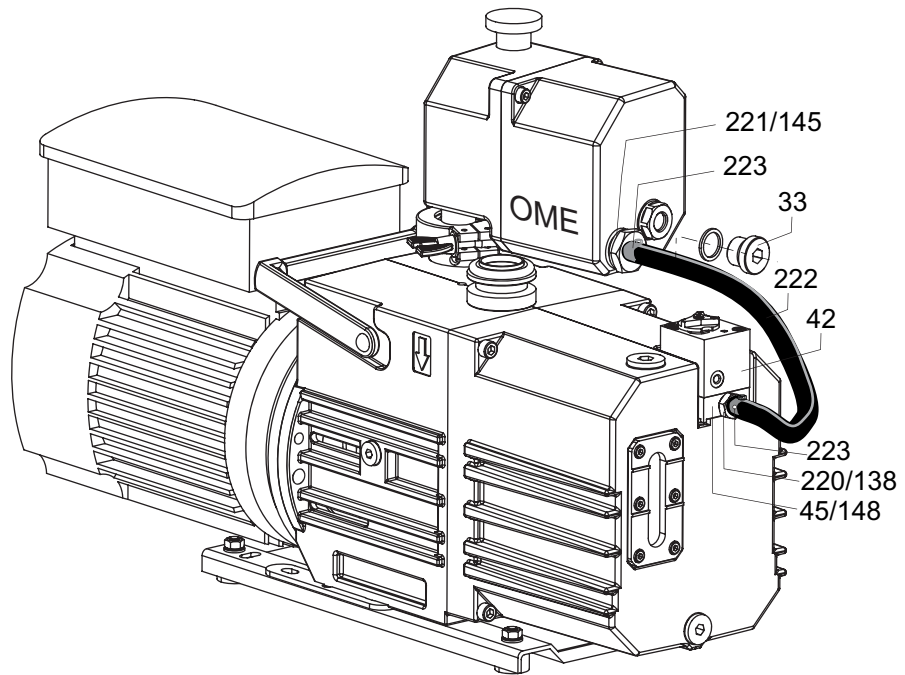
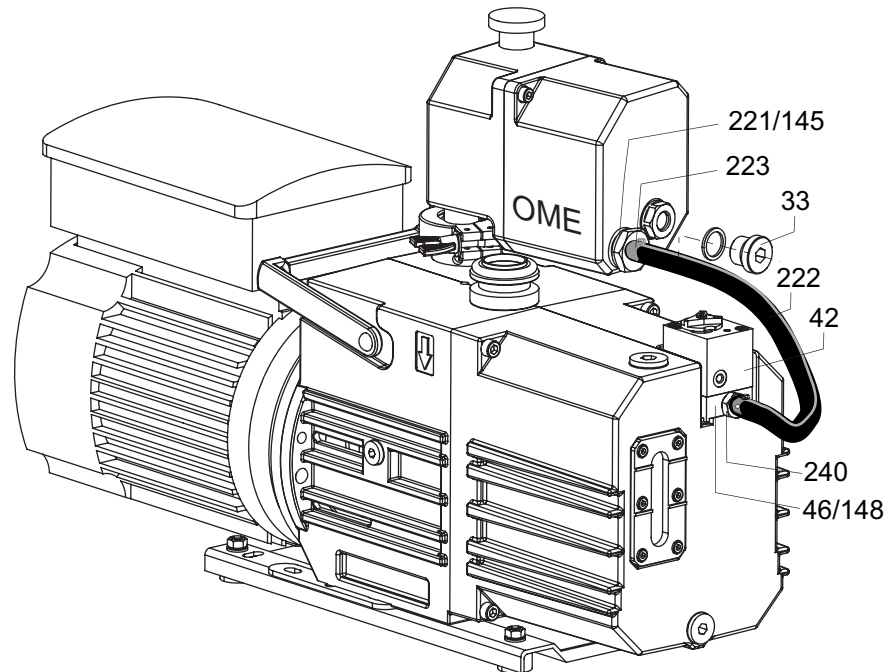


Fig. 3: Duo 10 M with OME and ODK

33	Operating fluid drain screw	145	O-ring	222	Operating fluid return line
42	Gas ballast valve	148	O-ring	223	Hose clip
45	Intermediate flange	220	Hose nipple		
138	O-ring	221	Hose piece		

- Screw in hose connection 221 in place of the operating fluid drain screw 33; take care with O-ring 145.
- Remove gas ballast valve 42 from the pump and absorb the operating fluid underneath.
- Re-fit the gas ballast valve 42 with intermediate flange 45 and screw tight with longer screws (torque: **2.5 Nm**); take care with O-ring 148.
- Screw fitting/hose nipple 220 into intermediate flange 45 and tighten slightly; pay attention to O-ring 138.
- Fit operating fluid return hose 222 at both sides,
 - keep the hose as short as possible and protect it from bending.
- Fasten hose clips 223.

OME 25 MXL

**Fig. 4: Uno 30 M**

33	Operating fluid drain screw	148	O-ring	222	Operating fluid return line
42	Gas ballast valve	240	Elbow union	223	Hose clip
46	Intermediate flange	221	Hose piece		
145	O-ring				

- Screw in hose connection 221 in place of the operating fluid drain screw 33; take care with O-ring 145.
- Remove gas ballast valve 42 from the pump and absorb the operating fluid underneath.
- Re-fit the gas ballast valve 42 with intermediate flange 46 and screw tight with longer screws (torque: **2.5 Nm**); take care with O-ring 148.
- Screw elbow union 240 into intermediate flange 46 and tighten slightly.
- Fit operating fluid return hose 222 at both sides,
 - keep the hose as short as possible and protect it from bending.
- Fasten hose clip 223.

PentaLine

OME 25 MXL

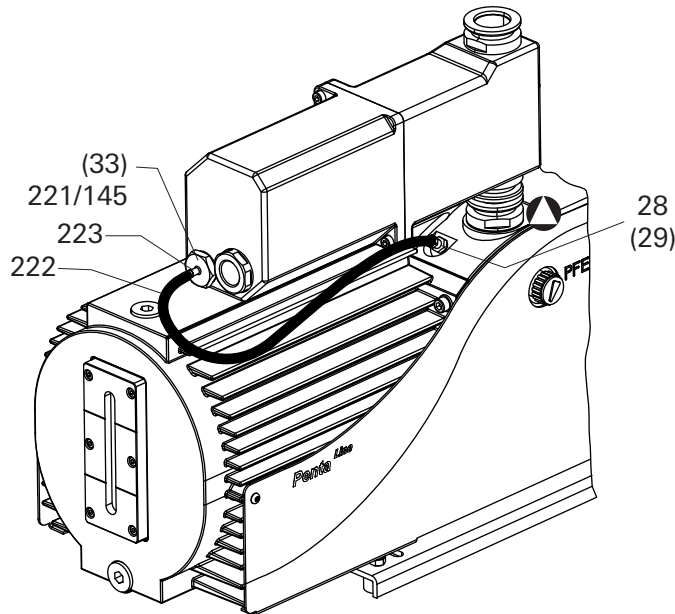


Fig. 5: PentaLine pump with OME and ODK

28	Screw fitting	145	O-ring	222	Operating fluid return line
29	Sealing plug	221	Hose piece	223	Hose clip
33	Operating fluid drain screw				

- Screw in hose connection 221 in place of the operating fluid drain screw 33; take care with O-ring 145.
- Unscrew and remove the union nut of the screw fitting 28 and remove the sealing plug 29.
- Fit operating fluid return hose 222 at both sides,
 - keep the hose as short as possible and protect it from bending.
- Fasten hose clip 223.
- Tighten the union nut of the screw fitting 240.

Pascal-Reihe

OME 25 M

OME 25 ML

- Instead of the drain screw of the operating fluid 33 mount a PK 005 998 -T adapter at the OME; pay attention to the 145 O-ring.
- Partially drain operating fluid from the pump.
- At the gas ballast valve unscrew both the 101 screws and the 100 cover including the adjusting knob and the pressure spring.
- Unscrew screw 103 and axially remove connecting plate 102; watch out for any leaking operating fluid.

Fit ODK 1 with adapter (without magnetic valve)



NOTICE

Watch out for any accidental ventilation of the pump

After the ODK 1 has been fitted the pump is not sealed on the exhaust side. This results in a vacuum chamber attached to the suction side being ventilated once the pump has been switched off.

→ Make sure that on the side of a building a magnetic valve is installed on the suction side.

→ Fit connection plate ODK 1 at the gas ballast inlet so the elbow is pointing upwards; pay attention to O-ring 301.

→ Insert outlet nozzle 210 in the elbow.

→ Fit operating fluid return hose 222 at both sides,
– keep the hose as short as possible and protect it from bending.

→ Tighten the union nuts of both screw fittings.

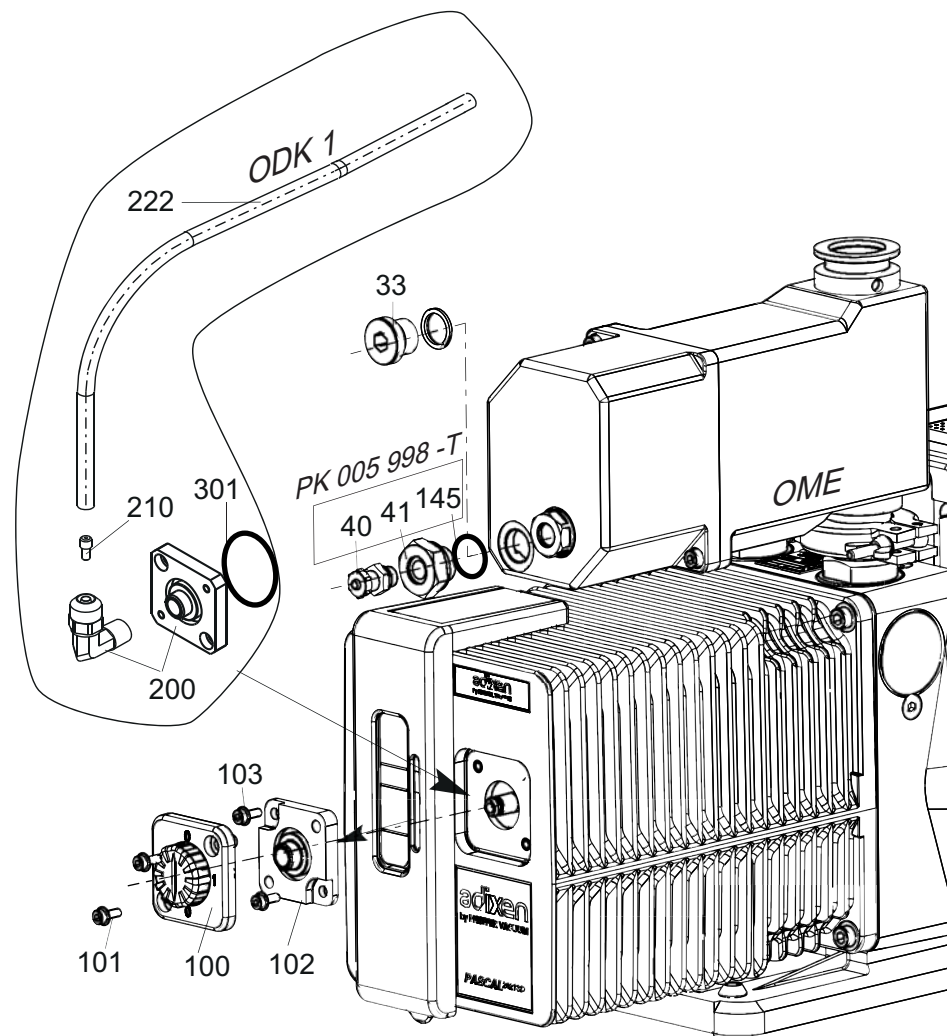


Fig. 6: Fit ODK 1 with PK 005 998 -T OME 25 M / OME 25 ML adapter

33	Drain screw for operating fluid	101	Screws	210	Outlet nozzle
40	Screw fitting	102	Connection plate	222	Operating fluid return hose
41	Reducer	103	Screws	301	O-ring
100	Cover	145	O-ring		
		200	ODK 1 connection plate		

ODK 2 with Adapter (with solenoid valve)

In order to avoid the pump being automatically ventilated via the operating fluid return line after having been switched off, the magnetic valve (NC/normally closed) of the ODK 2 must be supplied with power at the same time as the engine.

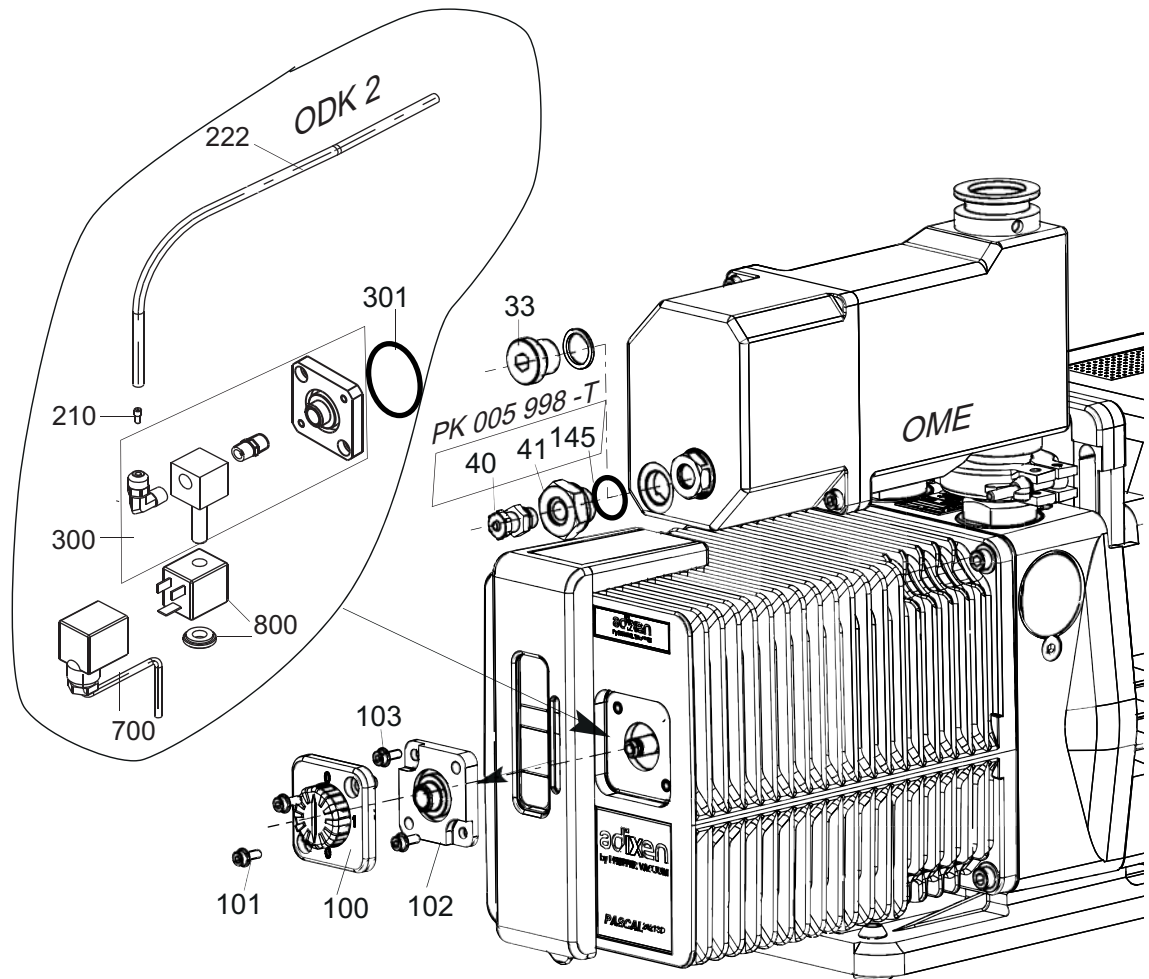


Fig. 7: Fit an ODK with a PK 005 998-T adapter on OME 25 M / OME 25 ML

33	Drain screw for operating fluid	102	Connection plate	300	Connection plate magnetic valve
40	Screw fitting	103	Screws	301	O-ring
41	Reducer	145	O-ring	700	Cable connection
100	Cover	210	Outlet nozzle	800	Magnetic valve coil
101	Screws	222	Operating fluid return hose		

- ➔ Fit the connection plate with magnetic valve 300 at the gas ballast inlet so the elbow is pointing upwards; pay attention to O-ring 301.
- ➔ Insert outlet nozzle 210 in the elbow.
- ➔ Fit operating fluid return hose 222 at both sides,
 - keep the hose as short as possible and protect it from bending.
- ➔ Tighten the union nuts of both screw fittings.
- ➔ Fit coil 800 at the magnetic valve.
- ➔ Establish a power supply at the coil, paying attention to the correct polarity and voltage.

6 Operation



CAUTION

Watch out for excess pressure in the exhaust line.

There is a risk of damage to the seals, and a risk of rupture or overloading of the pump.

- Ensure that there is no excess pressure at the OME exit point.
- Open the inlet valves either before or at same time as starting the pump.



NOTICE

Damage to the pump due to condensate in the operating fluid!

Returned condensate generated by vapors or by temperature differences between the oil mist eliminator and pump impairs the quality of the operating fluid and negatively impacts the pump's final vacuum.

- Drain operating fluid built up with condensate in a time manner.



NOTICE

Risk of the filter elements becoming blocked with resin!

When pumping gases and vapors with a tendency towards polymerization, the OME filter elements can become resinified.

- Observe the corresponding safety devices such as the saturation indicator or pressure relief valve.



NOTICE

Make sure that the return for the operating fluid works.

Operating fluid is only sucked in and returned from an operating pressure of < 100 hPa and starting from a minimum quantity of operating fluid in the OME.

- Long evacuation phases with a high intake pressure should always be followed by operating phases with a lower operating pressure.



Please note that the smallest oil particles can only be separated to a limited extent.

The degree of separation of the filter elements depends upon the gas flow rate and the distribution of particles in the gas flow.

- An increased leakage of oil mist at the exhaust flange of the OME as well as a functional decline in the operating fluid return serve as an indicator of the saturation level for the filter element.

7 Maintenance

7.1 Draining the operating fluid

If the accumulated operating fluid in the OME is above the top edge of the sight glass 12, the operating fluid must be drained.

The intervals, at which the operating fluid is drained, depend on the operating conditions.



WARNING

Operating fluid may contain toxic substances from the pumped media!

Danger of poisoning from the emission of harmful substances from the operating fluid.

- Wear suitable protective clothing and respirators.
- Dispose of operating fluid according to the local regulations



WARNING

Toxic vapours!

Danger of poisoning when igniting and heating synthetic operating fluids (e.g. F4/F5) above 300 °C.

- Observe the application instructions.
- Do not allow operating fluid to make contact with tobacco products; observe safety precautions when handling chemicals.

- Check the operating fluid level in the sight glass.
- Turn off the vacuum pump, vent to atmospheric pressure and allow to cool.
- Ensure that the exhaust line is depressurized.
- Unscrew operating fluid drain screw 33.
- Drain off operating fluid.
- Screw in operating fluid drain screw 33; pay attention to O-ring.
- Separate the operating fluid from the condensate.
 - If the drained operating fluid is free of contamination, it can be reused.
- Dispose of condensate according to the respectively valid legal requirements.

Operating fluid return line

Due to the automatic operating fluid return, it is not necessary to drain the operating fluid manually.

However, depending on the process, filtered condensate in the oil sump should occasionally be drained in the OME, since it could enter the operating fluid return to the pump.



NOTICE

Make sure that the return for the operating fluid is working properly.

The operating fluid can only be sucked out and returned when there is a minimum amount of operating fluid in the oil mist eliminator.

- If necessary, top up with operating fluid in order to ensure the return of operating fluid at the start of the evacuation phase.
- Pour the operating fluid slowly into the outlet flange of the oil mist eliminator until it can be seen in the sight-glass.

7.2 Changing the filter element

The filter insert must be exchanged when the exhaust pressure increases until the pressure relief valve opens inside the OME and oil mist exits.



NOTICE

Disclaimer of liability

Pfeiffer Vacuum accepts no liability for personal injury or material damage, losses or operating malfunctions due to improperly performed maintenance. The liability and warranty entitlement expires.



DANGER

Danger to health by hazardous substances during maintenance or installation

Depending on the process vacuum pumps, components or operating fluids can be contaminated by toxic, reactive or radioactive substances.

→ Wear adequate protective equipment during maintenance and repairs or in case of reinstallation.



WARNING

Contamination of parts and operating fluid by pumped media is possible.

Poisoning hazard through contact with materials that damage health.

→ In the case of contamination, carry out appropriate safety precautions in order to prevent danger to health through dangerous substances.

→ Decontaminate affected parts before carrying out maintenance work.



→ Safely dispose of the materials according to the locally applicable regulations.

Dismantling

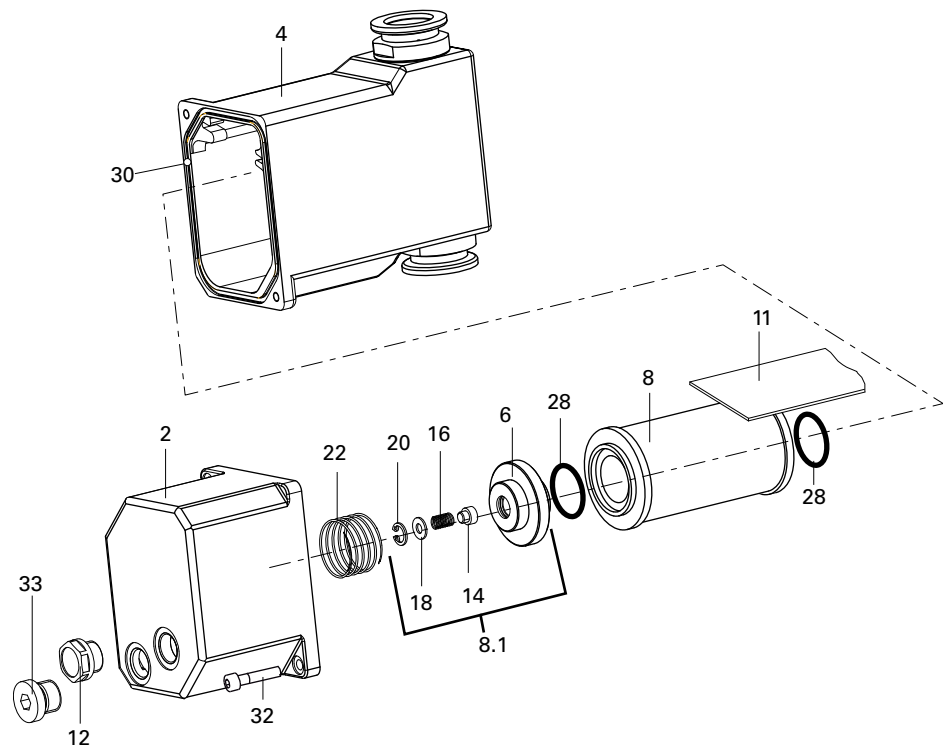


Fig. 8: OME 16 M, OME 16 ATEX, OME 25 M, OME 25 ML (with OME 25 MXL 8.1 is a part of 8)

2	Casing	12	Sight glass	22	Compression spring
4	Cover	14	Valve buffer	28	O-ring
6	Casing of pressure relief valve	16	Pressure spring	30	O-ring
8	Filter insert	18	Washer	32	Screw
11	Deflector	20	Circlip	33	Operating fluid drain screw

- Carry out preliminary work as described before.
- Remove OME from the system and pour out the remaining operating fluid.
- Unscrew and remove the screws 32 and carefully detach the casing 2 from the cover 4;
 - Caution! The parts are under preload.
- Detach casing 2 and filter insert 8 and all other internally located parts from cover 4; take care with O-rings 28 (not with OME 25 MXL) and 30.
- Replace filter element 8; cleaning is not recommended in most cases.

Dismantling the pressure relief valve

The pressure relief valve 8.1 at the OME 25 MXL is integrated in the filter insert 8 and cannot be dismantled.

- Loosen circlip 20 with pliers and dismantle washer 18, spring 16 and valve buffer 14 from valve housing 6.
- Clean all parts and inspect for wear.
- Check the sealed surface of valve buffer 14; replace if necessary.
 - When assembling lightly oil valve buffer and ensure the correct seating in the valve casing 6.

Assembling

Continue assembly by reversing the dismantling sequence, paying particular attention to compliance with the following steps.

- Put up cover 4, opening facing upwards.
- Lightly oil O-ring 28 (seal at OME 25 MXL).
- When mounting casing 2 ensure the correct seating of the filter insert 8 and of the pressure relief valve casing 6; in particular take care with regard to the position of compression spring 22 and O-rings 28 and 30.
- Tighten screws 32 uniformly to **3 Nm**.

7.3 Cleaning the operating fluid return line

When there is a functional decline in the operating fluid return or when changing the filter element the connecting pipe must be cleaned:

→ Dismantle and clean the hose connection 222 between OME and the pump.

Uno/Duo 1.6 ... 11

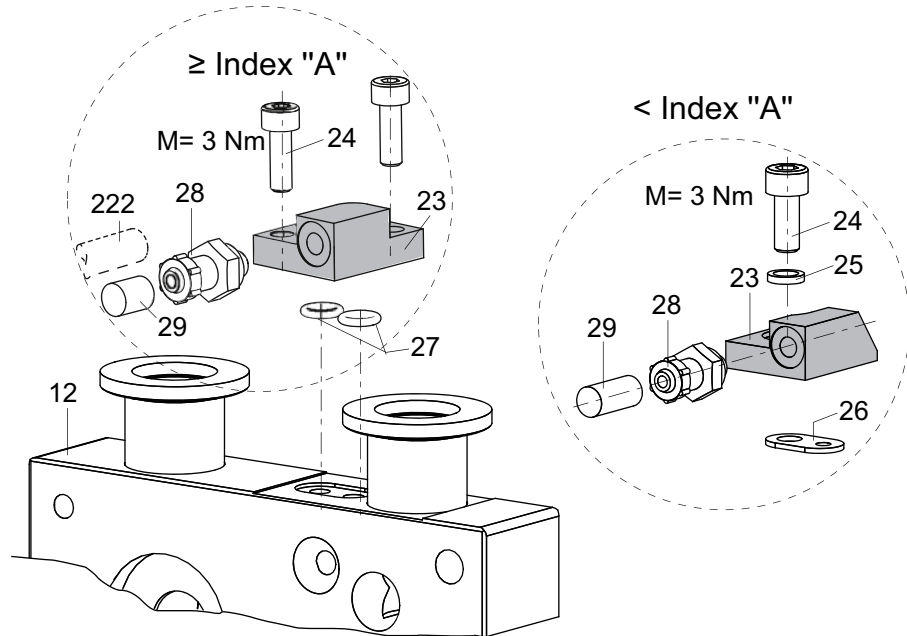


Fig. 9: Dismantling and cleaning the oil return line

→ Clean the nozzle bore on the underside of the ODK connection 23.

Duo 5 M, 10 M, 20 M

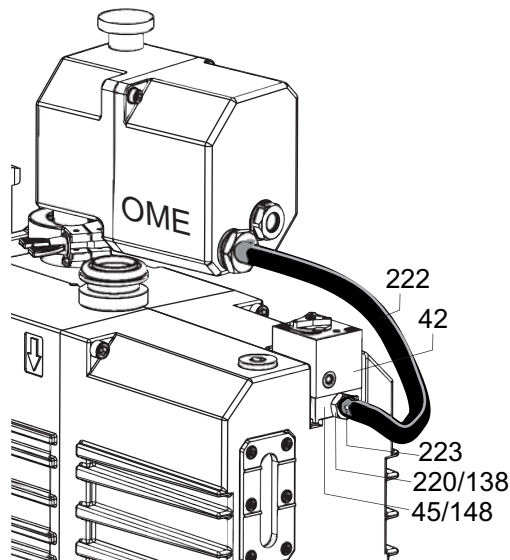


Fig. 10: Dismantling and cleaning the oil return line

→ Unscrew the hose nipples 220 from the intermediate flange 45 and clean the nozzle bore.

→ Screw fitting/hose nipple 220 into intermediate flange 45 and tighten slightly; pay attention to O-ring 138.

Uno 30 M

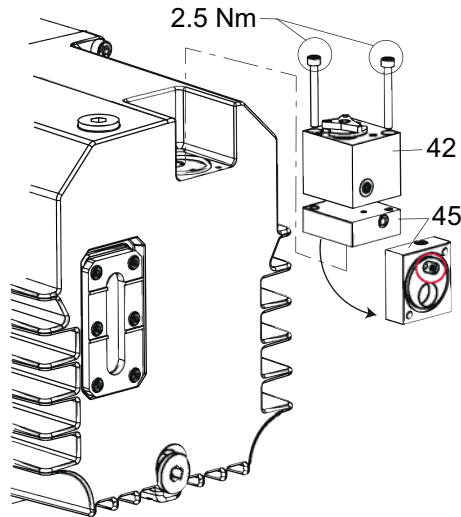


Fig. 11: Dismantling and cleaning the oil return line

- Remove gas ballast valve 42 from the pump.
- Clean the nozzle bore on the underside of the 45 intermediate flange.

Penta 35

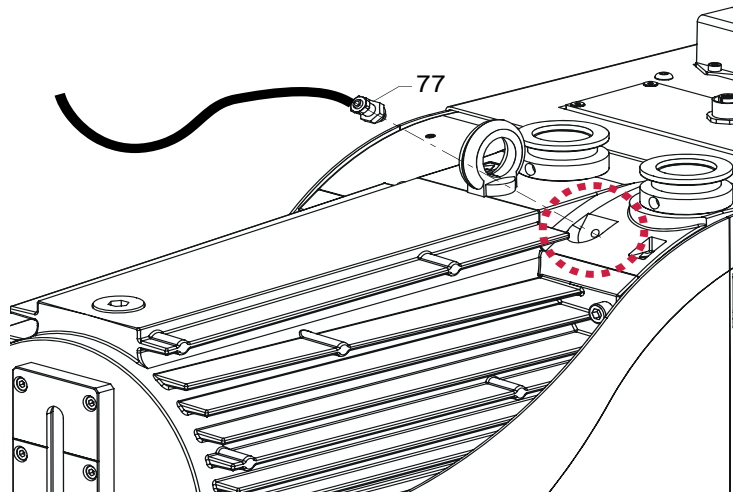


Fig. 12: Dismantling and cleaning the oil return line

- Undo 77 the screws, paying attention to the seal ring.
- Unscrew the nozzle with a 2.5 mm hexagon key as the thread of the stator becomes free and clean it.
- Pay attention to the torques when assembling;
 - Use for both the screw connection and the nozzle: **2.5 Nm**

Pascal 2005 ... 2021

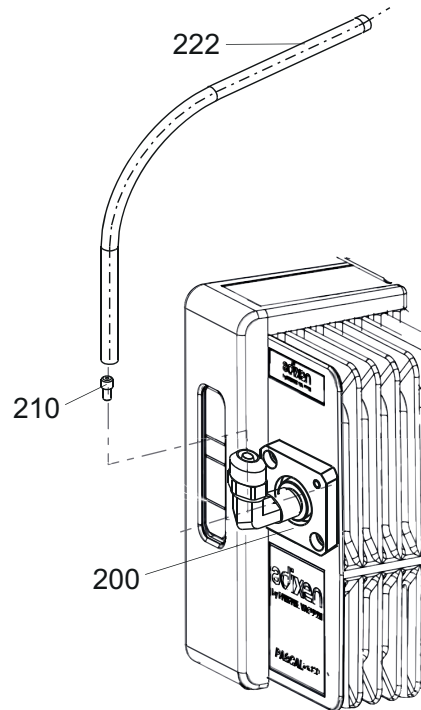


Fig. 13: Dismantling and cleaning the oil return line

- Undo the union nut of the elbow and dismantle the 222 operating fluid return hose.
- Remove the nozzle 210 from the elbow and clean it.

8 Service

Pfeiffer Vacuum offers first-class service!

- Fast replacement with exchange products in mint condition
- Advice on the most cost-efficient and quickest solution

Detailed information, addresses and forms at: www.pfeiffer-vacuum.com (Service).

Maintenance and repairs in the Pfeiffer Vacuum ServiceCenter

The following steps are necessary to ensure a fast, smooth servicing process:

- Download the forms "Service Request" and "Declaration on Contamination".¹⁾
- Fill out the "Service Request" form and send it by fax or e-mail to your Pfeiffer Vacuum service address.
- Include the confirmation on the service request from Pfeiffer Vacuum with your shipment.
- Fill out the declaration on contamination and include it in the shipment (required!).
- Drain off operating fluid.
- If possible, send pump or unit in the original packaging.

Sending of contaminated pumps or devices

No units will be accepted if they are contaminated with micro-biological, explosive or radioactive substances. "Hazardous substances" are substances and compounds in accordance with the hazardous goods directive (current version). If pumps are contaminated or the declaration on contamination is missing, Pfeiffer Vacuum performs decontamination at the shipper's expense.

- Neutralise the pump by flushing it with nitrogen or dry air.
- Close all openings airtight.
- Seal the pump or unit in suitable protective film.
- Return the pump/unit only in a suitable and sturdy transport container and send it in while following applicable transport conditions.

Service orders

All service orders are carried out exclusively according to our repair conditions for vacuum units and components.

¹⁾ Forms under www.pfeiffer-vacuum.com

9 Accessories

Designation	OME 16 M
Oil return unit ODK from OME 16 M to Duo 1.6, 3, 6, 11, Uno 6	PK 006 080 -T
Oil return unit ODK from OME 16 M to Duo 5 M, from OME 25 M to Duo 10 M, Duo 20 M	PK 196 172 -T
Centering ring, FPM/aluminum, DN 16 ISO-KF	PF 110 116 -T
Clamping ring, for elastomer seal, DN 10-16 ISO-KF	PF 100 316 -T
Designation	OME 16 ATEX
Oil return unit ODK from OME 16 ATEX to Duo 11 ATEX	PK 006 081 -T
Centering Ring, Stainless Steel 304/1.4301, DN 16 ISO-KF	122ZRG016
Clamping Ring for Elastomer Seal, Stainless Steel 304/1.4301, DN 10-16 ISO-KF	120BSR016
Designation	OME 25 M
Oil return unit ODK from OME 25 M, 25 ML, 25 MXL to PentaLine	PK 198 545 -T
Oil return unit ODK from OME 16 M to Duo 5 M, from OME 25 M to Duo 10 M, Duo 20 M	PK 196 172 -T
Oil drain kit ODK 1 from oil mist eliminator	104360
Oil return unit ODK 2 from OME 25 M/OME 25 ML, magnetic valve 230 V 50/60 Hz, Pascal 2005–2021	104361
Oil return unit ODK 2 from OME 25 M/OME 25 ML, Pascal 2005–2021, magnetic valve 115 V, 60 Hz	104362
Oil return unit ODK 2 from OME 25 M/OME 25 ML, Pascal 2005–2021, magnetic valve 100 V, 50/60 Hz	104363
Oil return unit ODK 2 from OME 25 M/OME 25 ML, Pascal 2005–2021, magnetic valve 200 V, 50/60 Hz	104364
Oil return unit ODK 2 from OME 25 M/OME 25 ML, Pascal 2005–2021, magnetic valve 24 V DC	104365
Adapter for OME 25 M/OME 25 ML with ODK on Pascal rotary vane pumps	PK 005 998 -T
Centering ring, FPM/Aluminum, DN 25 ISO-KF	PF 110 125 -T
Clamping ring, for elastomer seal, DN 20-25 ISO-KF	PF 100 325 -T
Designation	OME 25 ML
Oil return unit ODK from OME 25 M, 25 ML, 25 MXL to PentaLine	PK 198 545 -T
Oil return unit ODK from OME 16 M to Duo 5 M, from OME 25 M to Duo 10 M, Duo 20 M	PK 196 172 -T
Oil drain kit ODK 1 from oil mist eliminator	104360
Oil return unit ODK 2 from OME 25 M/OME 25 ML, magnetic valve 230 V 50/60 Hz, Pascal 2005–2021	104361
Oil return unit ODK 2 from OME 25 M/OME 25 ML, Pascal 2005–2021, magnetic valve 115 V, 60 Hz	104362
Oil return unit ODK 2 from OME 25 M/OME 25 ML, Pascal 2005–2021, magnetic valve 100 V, 50/60 Hz	104363
Oil return unit ODK 2 from OME 25 M/OME 25 ML, Pascal 2005–2021, magnetic valve 200 V, 50/60 Hz	104364
Oil return unit ODK 2 from OME 25 M/OME 25 ML, Pascal 2005–2021, magnetic valve 24 V DC	104365
Adapter for OME 25 M/OME 25 ML with ODK on Pascal rotary vane pumps	PK 005 998 -T
Centering ring, FPM/Aluminum, DN 25 ISO-KF	PF 110 125 -T
Clamping ring, for elastomer seal, DN 20-25 ISO-KF	PF 100 325 -T
Designation	ONF 25 MXL
Oil return unit ODK from OME 25 M, 25 ML, 25 MXL to PentaLine	PK 198 545 -T
Oil return unit ODK from OME 25 MXL to Uno 30 M	PK 196 944 -T
Centering ring, FPM/Aluminum, DN 25 ISO-KF	PF 110 125 -T
Clamping ring, for elastomer seal, DN 20-25 ISO-KF	PF 100 325 -T

10 Technical data

Parameter	OME 16 M	OME 16 ATEX
Degree of separation	99.98 %	99.98 %
Flange (in)	DN 16 ISO-KF	DN 16 ISO-KF
Flange (out)	DN 16 ISO-KF	DN 16 ISO-KF
Exhaust pressure, max.	Atmospheric pressure	Atmospheric pressure
Pressure max. (absolute)	1500 hPa	≤1500 hPa
For pumping speed	≤12 m ³ /h	≤12 m ³ /h
Capacity	0.15 l	0.15 l
Weight	1.35 kg	1.35 kg

Parameter	OME 25 M	OME 25 ML	ONF 25 MXL
Degree of separation	99.98 %	99.98 %	99.98 %
Flange (in)	DN 25 ISO-KF	DN 25 ISO-KF	DN 25 ISO-KF
Flange (out)	DN 25 ISO-KF	DN 25 ISO-KF	DN 25 ISO-KF
Exhaust pressure, max.	Atmospheric pressure	Atmospheric pressure	Atmospheric pressure
Pressure max. (absolute)	1500 hPa	1500 hPa	1500 hPa
For pumping speed	≤12 m ³ /h	≤30 m ³ /h	≤42 m ³ /h
Capacity	0.15 l	0.25 l	0.35 l
Weight	1.4 kg	1.6 kg	1.9 kg

10.1 Dimensions

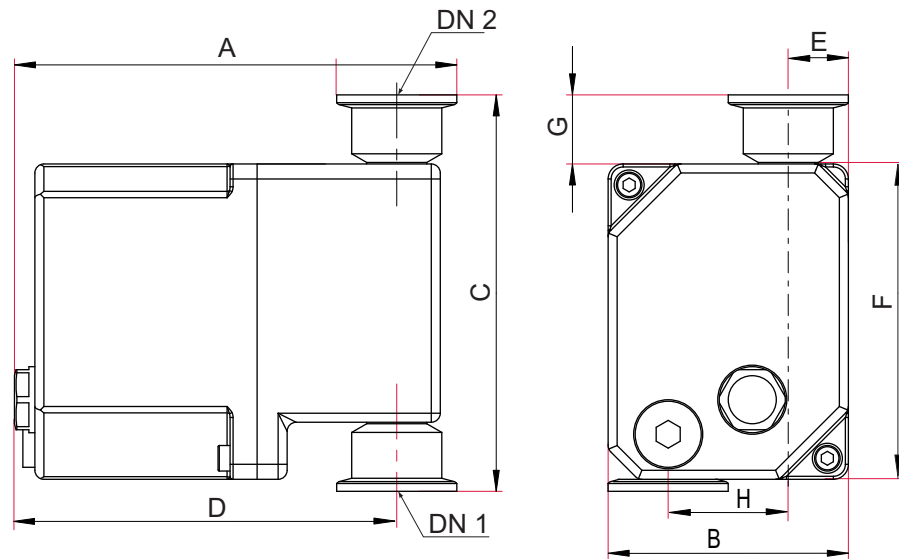


Fig. 14: OME 16 M, OME 16 ATEX, OME 25 M, OME 25 ML

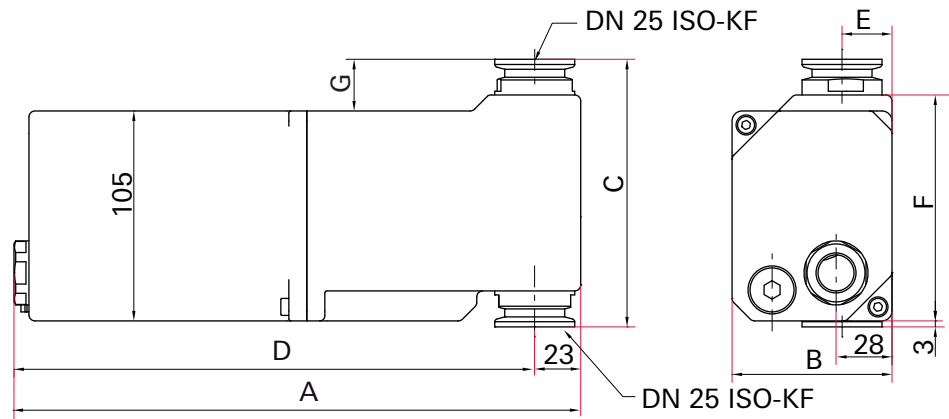


Fig. 15: OME 25 MXL

Dimensions	OME 16 M OME 16 ATEX	OME 25 M	OME 25 ML	ONF 25 MXL
A	142 mm	147 mm	218 mm	284 mm
B	80 mm	80 mm	80 mm	80 mm
C	120 mm	132 mm	134 mm	134 mm
D	127 mm	127 mm	182 mm	261 mm
E	16 mm	16 mm	25 mm	25 mm
F	105 mm	105 mm	105 mm	105 mm
G	17 mm	23 mm	27 mm	26 mm
H	48 mm	48 mm		
DN1	DN 16 ISO-KF	DN 25 ISO-KF	DN 25 ISO-KF	DN 25 ISO-KF
DN2	DN 16 ISO-KF	DN 25 ISO-KF	DN 25 ISO-KF	DN 25 ISO-KF

11 Spare parts

The spare parts packages listed here are only applicable for standard models.

Please state all information on the rating plate when ordering spare parts. Other spare parts than those described in this manual must not be used without the agreement of Pfeiffer Vacuum.

11.1 Spare parts packages

Spare parts package	Model	No.	Consisting of
Maintenance kit	OME 16 M	PK E37 001 -T	8, 28, 30
	OME 16 ATEX	PK E37 001 -T	8, 28, 30
	OME 25 M	PK E37 001 -T	8, 28, 30
	OME 25 L	PK E37 003 -T	8, 28, 30
	OME 25 XL	PK E37 100 -T	8, 30
Overhaul kit	OME 16 M	PK E37 002 -T	8, 12, 14, 16, 18, 20, 22, 28, 30, 33
	OME 16 ATEX	PK E37 010 -T	8, 12, 14, 16, 18, 20, 22, 28, 30, 33
	OME 25 M	PK E37 002 -T	8, 12, 14, 16, 18, 20, 22, 28, 30, 33
	OME 25 L	PK E37 004 -T	8, 12, 14, 16, 18, 20, 22, 28, 30, 33
	OME 25 XL	PK E37 101 -T	8, 12, 22, 24, 30, 33

- OME 16 M
- OME 16 ATEX
- OME 25 M
- OME 25 ML

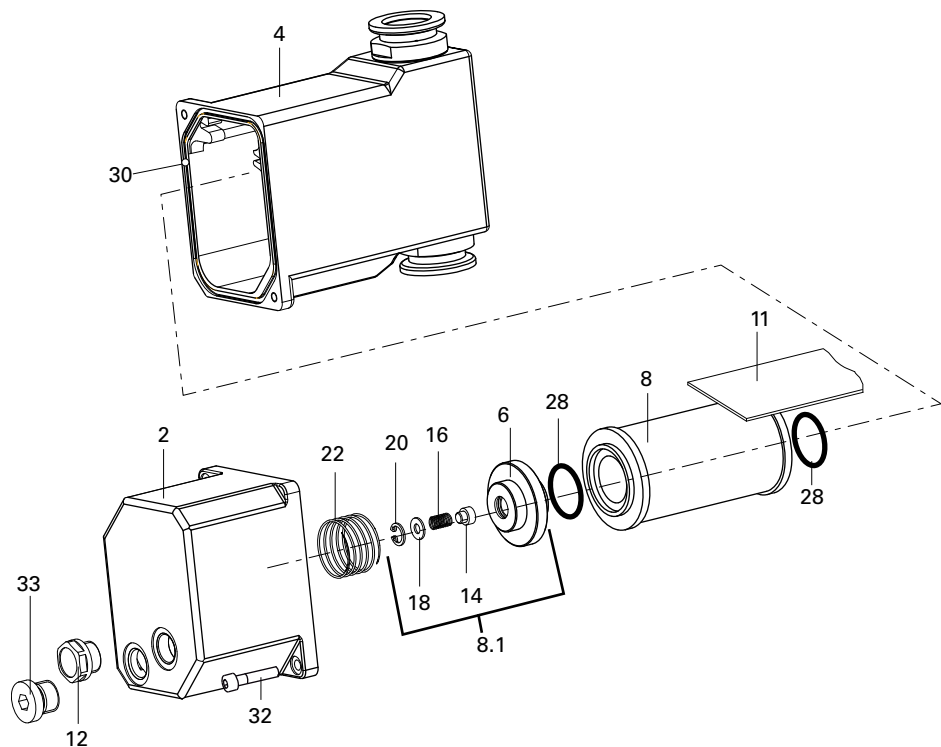


Fig. 16: OME 16 M, OME 16 ATEX, OME 25 M, OME 25 ML

OME 25 MXL

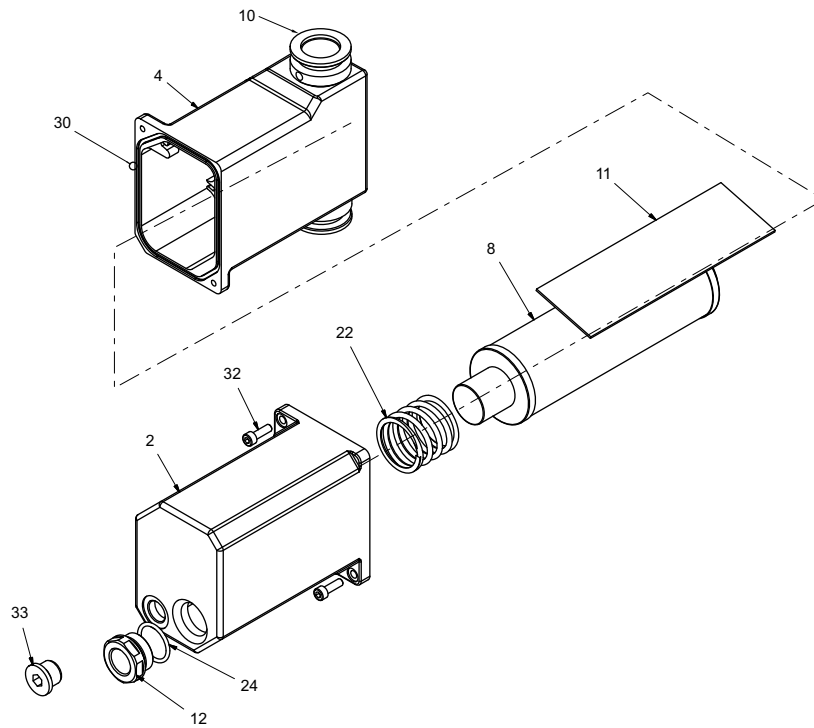


Fig. 17: OME 25 MXL

12 Disposal

Products or parts thereof (mechanical and electrical components, operating fluids, etc.) may cause environmental burden.

→ Safely dispose of the materials according to the locally applicable regulations.

VACUUM SOLUTIONS FROM A SINGLE SOURCE

Pfeiffer Vacuum stands for innovative and custom vacuum solutions worldwide, technological perfection, competent advice and reliable service.

COMPLETE RANGE OF PRODUCTS

From a single component to complex systems:

We are the only supplier of vacuum technology that provides a complete product portfolio.

COMPETENCE IN THEORY AND PRACTICE

Benefit from our know-how and our portfolio of training opportunities!

We support you with your plant layout and provide first-class on-site service worldwide.

Are you looking for a
perfect vacuum solution?
Please contact us:

Pfeiffer Vacuum GmbH
Headquarters • Germany
T +49 6441 802-0
info@pfeiffer-vacuum.de

www.pfeiffer-vacuum.com

PFEIFFER  **VACUUM**