



## TECHNICAL DATA

DISPLACEMENT L/Min(50/60hz) - 90/108

ULTIMATE PRESSURE - Pa - 5

MOTOR POWER - kW - 0.15

NOISE LEVEL - dB(A) - 52

COOLING SYSTEM - AIR COOLED

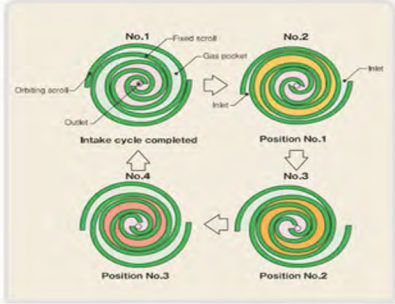
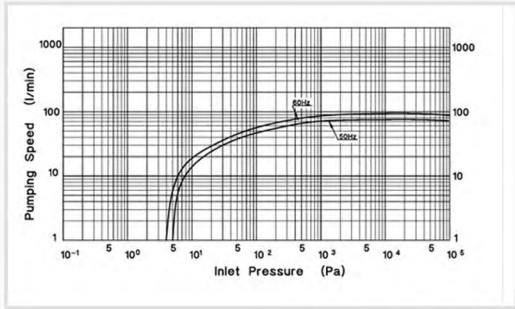
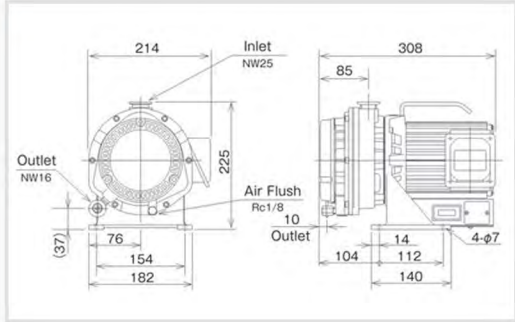
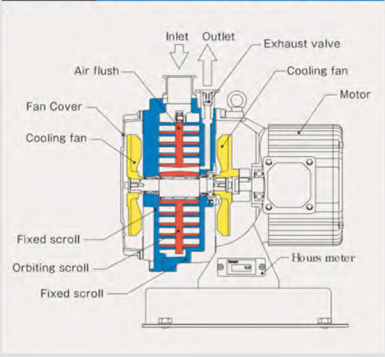
INLET CONNECTION - KF25

OUTLET CONNECTION - KF16

DIMENSIONS in. - 12.1 x 7.2 x 8.9

WEIGHT - (kg) -14

*We Can Rebuild & Service your ISP-90.*



**ISP APPLICATIONS**

- SPUTTERING EQUIPMENT
- SYNCHROTRON RADIATION
- SURFACE MODIFICATION
- ELECTRON BEAM PROCESS
- GAS RECOVERY DEVICES
- VACUUM EQUIPMENT
- LEAK DETECTORS
- DEVICE HANDLING SYSTEM
- LABORATORY USE

*We Can Rebuild & Service your ISP-90.*



**ANEST IWATA**  
**Scroll Meister ISP-90 Scroll Dry Pump**

**SALES & SERVICE 1-973-249-0854**

