

Vacuum Solutions

Application Support

Service



LEYBOLD VACUUM



GA 01.701/5.02



## EcoDry - M

Oil-free Vacuum Pumps

### EcoDry M 15

130 000; 130 001; 130 002; 130 004

### EcoDry M 20

130 010; 130 011; 130 012; 130 014



Operating Instructions

## Contents

<b>Important Safety Considerations</b>	<b>4</b>
<b>1 Introduction</b>	<b>6</b>
1.1 Principles of Operation	6
1.2 Specifications	7
<b>2 Installation and Operation</b>	<b>10</b>
2.1 Unpacking the Pump	10
2.2 Installation	10
2.3 Operation of the Pump	11
2.4 Electrical Connection	11
<b>3 Application Notes</b>	<b>13</b>
3.1 General Application	13
3.2 EcoDry M Pumps for Backing of High-Vacuum Pumps	13
3.3 Condensable Vapours & Liquids	13
3.4 Use on Wet Processes	13
<b>4 Maintenance</b>	<b>14</b>
<b>5 Troubleshooting</b>	<b>15</b>
<b>EC Declaration of Conformity</b>	<b>16</b>

## Leybold-Service

If a pump is returned to Leybold, indicate whether the pump is free of substances damaging to health or whether it is contaminated.

If it is contaminated also indicate the nature of the hazard. Leybold must return any pumps without a "Declaration of Contamination" to the sender's address.

### Warning

Indicates procedures that must be strictly observed to prevent hazards to persons.



### Caution

Indicates procedures that must strictly be observed to prevent damage to, or destruction of the equipment.

## Figures

The references to figures, e.g. (1/2) consist of the Fig. No. and the Item No. in that order.

We reserve the right to modify the design and the specified data. The illustrations are not binding.

---

## Ordering Information

---

### EcoDRY M 15

with three phase motor		Cat. No. 130 000
with single phase motor 115 V 60 Hz	USA	Cat. No. 130 001
with single phase motor 230 V 50/60 Hz	Euro	Cat. No. 130 002
with single phase motor 200 V 50/60 Hz		Cat. No. 130 004

### EcoDRY M 20

with three phase motor		Cat. No. 130 010
with single phase motor 115 V 60 Hz	USA	Cat. No. 130 011
with single phase motor 230 V 50/60 Hz	Euro	Cat. No. 130 012
with single phase motor 200 V 50/60 Hz		Cat. No. 130 014

### Accessories

Silencer for <b>EcoDRY M 15 - M 20</b>		Cat. No. 130 050
Vibration absorbers for underneath (Set = 4 pieces) for <b>EcoDRY M 15 - M 20</b>		Cat. No. 130 051
Solenoid gas purge kit for <b>EcoDRY M 15 - M 20</b>		Cat. No. 169 50
Vibration absorber kit for <b>EcoDRY M 15 - M 20</b>		Cat. No. 130 052

---

## IMPORTANT SAFETY CONSIDERATIONS

The Leybold EcoDry M, oil-free vacuum pump is designed for safe and efficient operation when used properly and in accordance with this manual. It is the responsibility of the user to carefully read and strictly observe all safety precautions described in this section and throughout the manual. This product must be operated and maintained by trained personnel only. Consult local, state, and national agencies regarding specific requirements and regulations. Address any further safety, operation and/or maintenance questions to your nearest Leybold Vacuum office.

### Warning Failure to observe the following precautions could result in serious personal injury:



- Before beginning with any maintenance or service work on the EcoDry M, disconnect the pump from all power supplies.



- Do not operate the pump with any of the covers removed. Serious injury may result.
- If exhaust gases must be collected or contained, do not allow the exhaust line to become pressurised.
- Make sure that the gas flow from the exhaust port is not blocked or restricted in any way.



- The standard version of the EcoDry M is not suited for operation in explosion hazard areas. Contact us before planning to use the pump under such circumstances.

- Before starting up for the first time, the motor circuit (3 phase) must be equipped with a suitable protective motor switch. Please take note of the information in these Operating Instructions or on the electric motor (wiring diagram).

- The EcoDry M is not suited for pumping of:
  - combustible and explosive gases or vapours
  - radioactive and toxic substances
  - pyrophorous substances.

- The EcoDry M must be integrated in the system control arrangement so that the pump can not run-up automatically after it has been shut down by the temperature switches in the motor. This applies equally to emergency shut-down arrangements. After having determined the fault cause, the pump should be switched on manually again.

- Avoid exposing any part of the human body to the vacuum.

- Never operate the EcoDry M without a connected intake line or blank flange.

- The location at which the EcoDry M (including its accessories) is operated should be such that angles over 10° from the vertical are avoided.

- The location of the EcoDry M should be such that all controls are easily accessible.



- Under certain ambient conditions the EcoDry M may attain a temperature of over 80 °C (176 °F). There then exists the danger of receiving burns. Note the symbols on the pump pointing to the hazards, and in the case of a hot pump wear the required protective clothing.

- The noise level produced by the EcoDry M without gas ballast is  $\leq 59$  dB(A) with silencer or connected exhaust line. Make sure that suitable protection measures are taken to protect the hearing.

### Warning



- Before operating the EcoDry M with atmospheric gas ballast check first compatibility with the pumped media so as to avoid hazardous conditions during operation right from the start.

- Before commissioning the EcoDry M, make sure that the media which are to be pumped are compatible with each other so as to avoid hazardous situations. All relevant safety standards and regulations must be observed.

- 
- It is recommended to always operate the EcoDry M with a suitable exhaust line which is properly connected. It must slope down and away from the pump.
  - When moving the EcoDry M always use the allowed means.  
A lifting eye is provided as standard on the pump.

**Caution** *Failure to observe the following precautions could result in damage to the pump:*

- Do **not** allow the ingestion of small objects (screws, nuts, washers, pieces of wire, etc.) through the inlet port. Always use the screen which is supplied with every pump.
- Do **not** use the pump for applications that produce abrasive or adhesive powders or condensable vapours that can leave adhesive or high viscosity deposits. Please contact Leybold Sales or Service to select a suitable separator. Also please contact Leybold Sales or Service when planning to pump vapours other than water vapour.
- This pump is suited for pumping water vapour within the specified water vapour tolerance limits.
- Avoid vapours that can condense into liquids upon compression inside the pump, if these substances exceed the vapour tolerance of the pump (> 25 mbar for water vapour).
- Before pumping vapours, the EcoDry M should have attained its operating temperature, and the gas ballast should be set to position I - III (position 0 = closed, position 3 = max. water vapour tolerance, 25 mbar).  
The pump will have attained its operating temperature about 30 minutes after starting the pump. During this time the pump should be separated from the process, by a valve in the intake line, for example.
- Be sure that the lines (exhaust and intake lines) and other vacuum connections are clean and free of oil. This applies in particular if oil sealed pumps were used before. The conditions must be checked before commissioning, and in the case of deviations you should contact your nearest Leybold Service office.
- In the case of wet processes we recommend the installation of liquid separators upstream and downstream of the pump as well as the use of the gas ballast.
- The exhaust line should be laid so that it slopes down and away from the pump so as to prevent condensate from backstreaming into the pump.
- In order to prevent the transfer of vibrations from the EcoDry M to other parts of the system we recommend the use of corrugated hoses or compensators on both the intake and the exhaust sides. In case you need any further information please get in touch with Leybold.
- Operate the EcoDry M only in the orientations detailed in the dimensional drawings (see page 8). For the purpose of reducing the transfer of vibrations to the building we also recommend the use of vibration absorbers (see accessories for the EcoDry M).

**Note** *This information will help the operator to obtain the best performance from the equipment:*

- Normal amounts of humidity within the range of the pump's vapour tolerance will not significantly affect pump performance when the gas ballast is active.
- With the pump switched off, the pressure in the pump will rise very slowly to the level of the **exhaust pressure (normally atmospheric pressure)**. The EcoDry M is not equipped with any vacuum protection means. Thus you must install a valve in the intake line which automatically seals off the intake port of the EcoDry M when at standstill.

# 1 Introduction

EcoDry M pump provides a **clean, absolutely oil-free** means of evacuation without the risk of hydrocarbon contamination. The gas compression stages achieve pressures as low as  $2 \cdot 10^{-2}$  mbar (15 mTorr, 2 Pa). The very low friction coating on the cylinders and on the pistons allows maintenance-free continuous operation for up to 2 years depending on the kind of application. Please note the recommendations as to the applications provided in these Operating Instructions.

## 1.1 Principles of Operation

### 1.1.1 Stages of Compression

The EcoDry M is equipped with three (M 15) or two (M 20) compression stages which are formed by three pistons.

The gas to be pumped reaches the compression space of the cylinder by means of slots formed in the walls of the cylinders. These slots are uncovered by the piston at bottom dead center and then covered again as the piston ascends. The gas is compressed while the piston ascends and exits the compression chamber through large valves.

### 1.1.2 Sealing

At initially high pressures, gases may leak past the piston from the compression chamber and into the drive-unit housing (called "blow-by"). However, the EcoDry M drive-unit housing is designed such that blow-by gases are drawn back into the cylinders and exhausted.

Moreover, the entire sealing system of the EcoDry M is so designed that a low leak rate in the order of  $< 1 \cdot 10^{-4}$  mbar · l · s<sup>-1</sup> is attained. The static seals made of Viton and the PTFE radial shaft seals which are lubricated with a grease which is free of hydrocarbons and which are highly media compatible, reliably prevent the exchange of gas between the EcoDry M and the surrounding atmosphere.

To avoid internal leakage reducing the pump performance, the cylinder and piston are manufactured to very close tolerances, leaving almost no gap between them. Additional sealing collars are provided towards the drive-unit housing. Towards the outside the chamber of the shaft is sealed off by a radial shaft seal.

### 1.1.3 Lubrication

The pistons are covered with a low-friction material. The low friction coefficient of the PTFE lets it serve as a bearing and seal without additional liquid lubricants.

Moreover, all rolling bearings are lubricated with a grease which is free of hydrocarbons and they are separated by a dry seal from the vacuum chamber within the pump.

### 1.1.4 Friction and Cooling

Due to the selection of the pump materials, the friction (and therefore the heat generated) is kept very low. No additional cooling is needed in normal applications.

**Caution** When installing the pump in an enclosure make sure that there is an adequate flow of cooling air.

### 1.1.5 Eliminating Hydrocarbon Contamination

The risk of contamination by hydrocarbons is a major concern with mechanical oil-sealed pumps because liquid lubricants can stream back into the chamber to be evacuated. The EcoDry M achieves high compression ratios by using dry multiple-stage compression **instead** of oil sealing, and absolutely no liquid lubricants are used in the compression chambers.

## 1.2 Specifications

			EcoDry M 15	EcoDry M 20
Number of cylinders			3	3
Number of pumping stages			3	2
Max. pumping speed	- at 50 Hz	$\text{m}^3 \cdot \text{h}^{-1} / \text{cfm}$	14/8.3	19/11.2
	- at 60 Hz	$\text{m}^3 \cdot \text{h}^{-1} / \text{cfm}$	16/9.4	22/13
Ultimate pressure (absolute)	- at 50 Hz	mbar/Torr	$3 \cdot 10^{-2} / 2.3 \cdot 10^{-2}$	$5 \cdot 10^{-1} / 3.8 \cdot 10^{-1}$
	- at 60 Hz	mbar/Torr	$2 \cdot 10^{-2} / 1.5 \cdot 10^{-2}$	$4 \cdot 10^{-1} / 3.0 \cdot 10^{-1}$
Inlet pressure limit				
- at initial evacuation		mbar		1000
- in continuous operation		mbar		100
Water vapour tolerance	$\text{g} \cdot \text{h}^{-1}$		290	400
			(with gas ballast set to "3")	(with gas ballast set to "3")
Leak rate (integral)	$\text{mbar} \cdot \text{l} \cdot \text{s}^{-1}$		$1 \cdot 10^{-4}$	$1 \cdot 10^{-4}$
Motor power requirements				
at inlet pressures < 20 mbar (15 Torr) W			300	300
Motor				
Mains voltage, frequency				
3-ph. / 50 Hz		V	220-240/346-415 (-10% to +5%)	220-240/346-415 (-10% to +5%)
3-ph. / 60 Hz		V	200-277/380-480 (-10% to +5%)	200-277/380-480 (-10% to +5%)
1-ph. 50 / 60 Hz (Euro)		V	220 - 240 (-10 % to +5 %)	220 - 240 (-10 % to +5 %)
1-ph. 60 Hz (USA)		V	115 (-10 % to +5 %)	115 (-10 % to +5 %)
1-ph 50/60 Hz		V	200 (-10 % to +5 %)	200 (-10 % to +5 %)
Motor speed at 50/60 Hz	rpm.		1000/1200	1000/1200
Protection	IP		54	54
Noise level at ultimate pressure <sup>1)</sup>	dB(A)		≤ 59	≤ 59
Permissible ambient temperature	°C/°F		0 - 50 / 32 - 122	0 - 50 / 32 - 122
Connections / Inlet ports			DN 25 KF or G 3/4"	
Connections /Outlet ports			DN 25 KF or G 3/4"	
Weight with three phase motor	kg/lbs		38/84	38/84
Weight with single phase motor	kg/lbs		50/111	50/111

<sup>1)</sup> without gas ballast, with silencer (accessory) or connected exhaust line

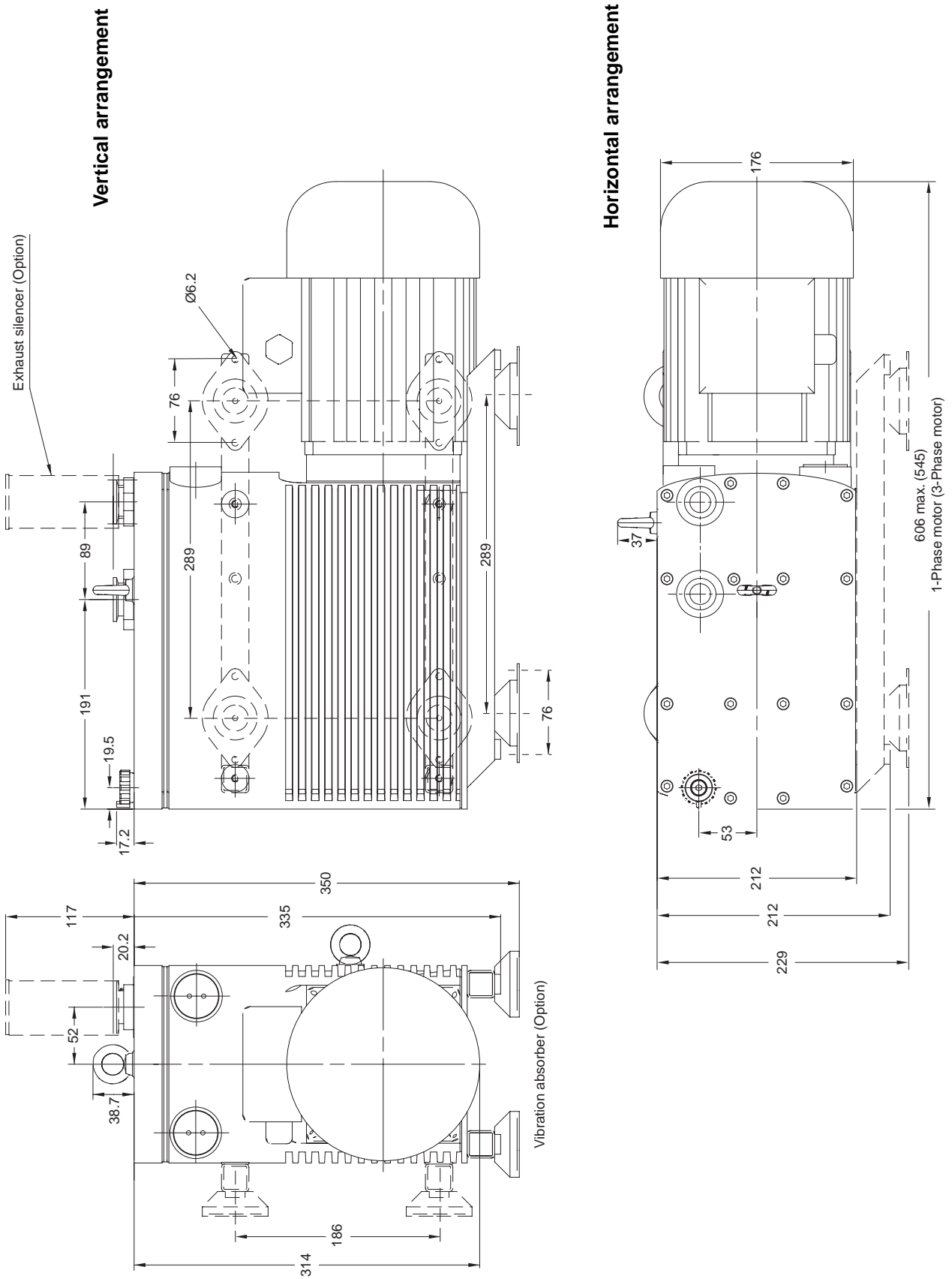


Fig. 1 Dimensional drawing of the EcoDry M with 3-phase motor



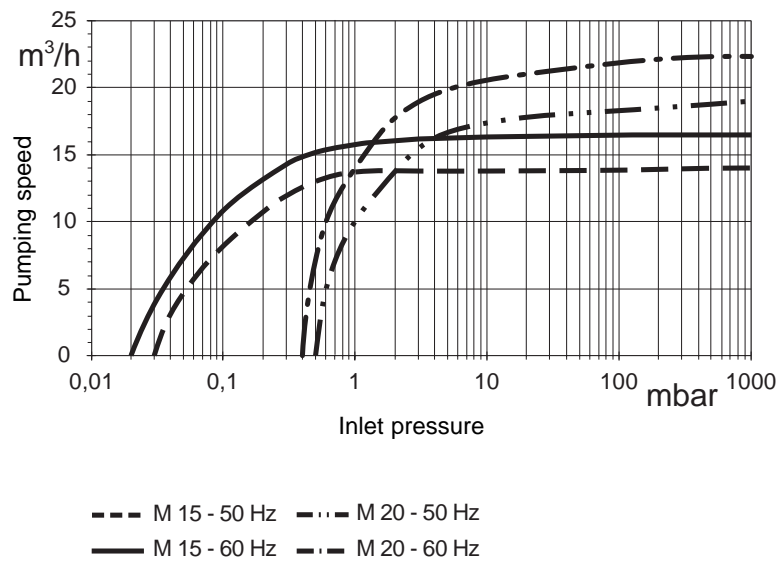


Fig. 2 Pumping speed vs. inlet pressure for the EcoDry M 15 / M 20 (50/60 Hz operation)

Connecting flanges on top, DN 25 KF

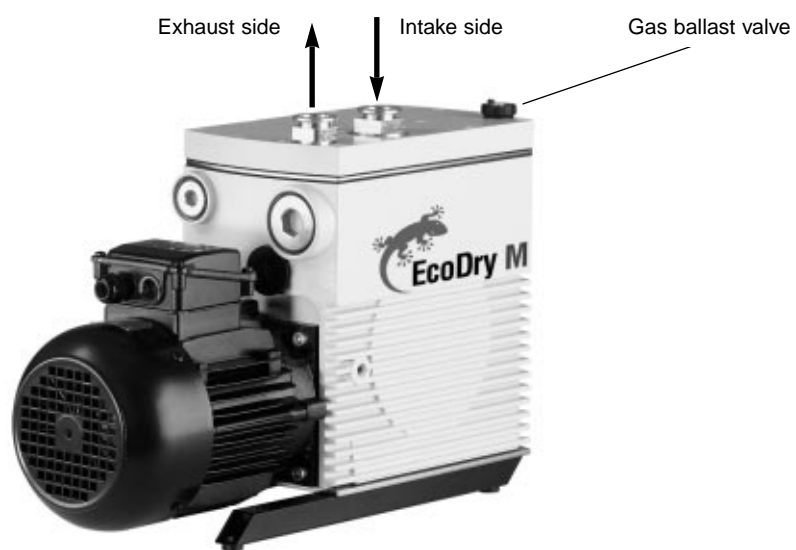


Fig. 3 Connection for the intake and exhaust flanges

## 2 Installation and Operation

### 2.1 Unpacking the Pump

Leybold Vacuum inspects each EcoDry M pump before shipping and packs each pump carefully to avoid damage from improper handling.

#### 2.1.1 Receiving Conditions

Inspect shipping crate for external damage.

If damaged:

- Refuse the shipment.
- Notify Leybold Vacuum immediately.

#### 2.1.2 Unpacking the Pump

1. Open the top of the shipping crate.
2. Remove any packing materials.
3. The pump is equipped with a lifting eye, and should **only** be lifted with this device.

#### 2.1.3 Inspecting the Pump

Inspect the pump for damage.

If damaged:

- Notify Leybold Vacuum immediately.
- Retain the original shipping and packing materials.
- Wait for return authorisation from Leybold Vacuum.
- Return the pump in the original package via the original shipper.

#### 2.1.4 Supplied Equipment

The EcoDry M is supplied with the following basic items:

- Pump with motor
- Separate dirt collecting sieve (dirt trap)
- Operating Instructions
- "Declaration of Contamination" form

The connection ports are sealed off before shipping with sealing caps.

EcoDry M pumps equipped with a single phase AC motor have a 1.8 m long mains cord and may be connected to the mains direct via the plug.

The AC motors are equipped with a built-in thermal motor overload circuit breaker and a mains cord (1.8 m long).

Country specific plugs USA, Japan, Euro are included. In the case of the three-phase motors suitable motor overload protection and the connection to the mains power supply must be installed resp. provided by the customer.

### 2.2 Installation

The EcoDry M pump is installed upright or horizontally on the anti-vibration mounts provided.

Make sure that there is a clearance of at least 100 mm to other components or pumps at every side to allow an adequate air flow for cooling.

The EcoDry M pump is a complete unit. Listed below are several optional accessories that will lead to more efficient operation and prolong the useful life of the pump.

- Dust filter, liquid separator for the inlet
- Vibration absorbers
- Exhaust silencer
- Inert gas connection

#### 2.2.1 Suggested Installation Procedure

**Caution** The EcoDry M must only be operated in such orientations where the axis of the pump (crankshaft) runs horizontally.

**Warning** Please accurately observe the following safety information given in these Operating Instructions.



1. Install in an open area with an ambient temperature below 50°C (122 °F). If the pump must be installed in an enclosed area, air-circulating fans may be necessary to ensure adequate cooling.
2. Before connecting the EcoDry M to the intake and exhaust lines please remove the shipping seals on the pump's intake and exhaust flanges. Connect the chamber to be evacuated to the inlet flange of the EcoDry M pump.
3. Use flexible stainless steel bellows in the piping to reduce transmission of vibrations during operation.
4. Make sure pipe lines are adequately supported to reduce stress on joints.
5. Install a vacuum gauge in the inlet line with a vacuum-quality valve upstream of the gauge. This allows the pump to be isolated from the system to monitor its proper performance.

6. Install the stainless steel screen (dirt trap) provided over the inlet port to prevent the ingestion of small objects that can damage the pump. The flow rate may be somewhat reduced by the screen, but the protection it provides will prolong the life of the pump.
7. Make sure that the exhaust port is clean and unobstructed.

**Caution** Roughing lines and other vacuum connections must be clean, especially if previously evacuated by oil-sealed mechanical pumps.

**Warning** Make sure that the gas flow at the exhaust port is not blocked or restricted in any way.



If the exhaust gases must be contained or collected, do not allow the exhaust line to become pressurised.

## 2.3 Operation of the Pump

*Please note the safety information given on page 4 and the subsequent pages.*

**Warning** The pump must only be started up after having fully assembled it.



The exhaust line should be laid so that it slopes down and away from the pump in order to prevent condensed vapours from flowing back into the pump.

During operation, the exhaust side must always be open. Check any valves which may be present in the exhaust line. The max. exhaust backpressure must never exceed 1200 mbar abs.

## 2.4 Electrical Connection

**Warning** Make sure that the mains supply is turned off when cables are connected.



The electrical connection should only be performed by staff qualified in accordance with VDE 0105 and following the guidelines of VDE 0100.

The EcoDry M pump can be connected to different mains supply voltages and frequencies (see Section 1.2, Specifications) as well as page 12.

If necessary, change the jumper configuration in the motor terminal box (3ph) to adjust the pump to the available supply voltage.

Connect the pump to mains via a suitable protective motor switch (see name plate), but do not turn on the pump until all electrical and vacuum lines are connected.

### 2.4.1 EcoDry M with Single-Phase Motor

The EcoDry M may be connected directly to the mains supply via the plug.

**Caution** The cross section of the mains power supply cables should amount to at least 1.5 mm<sup>2</sup>.

In the case of the single phase AC motors the direction of rotation is fixed and will therefore not need to be checked separately.

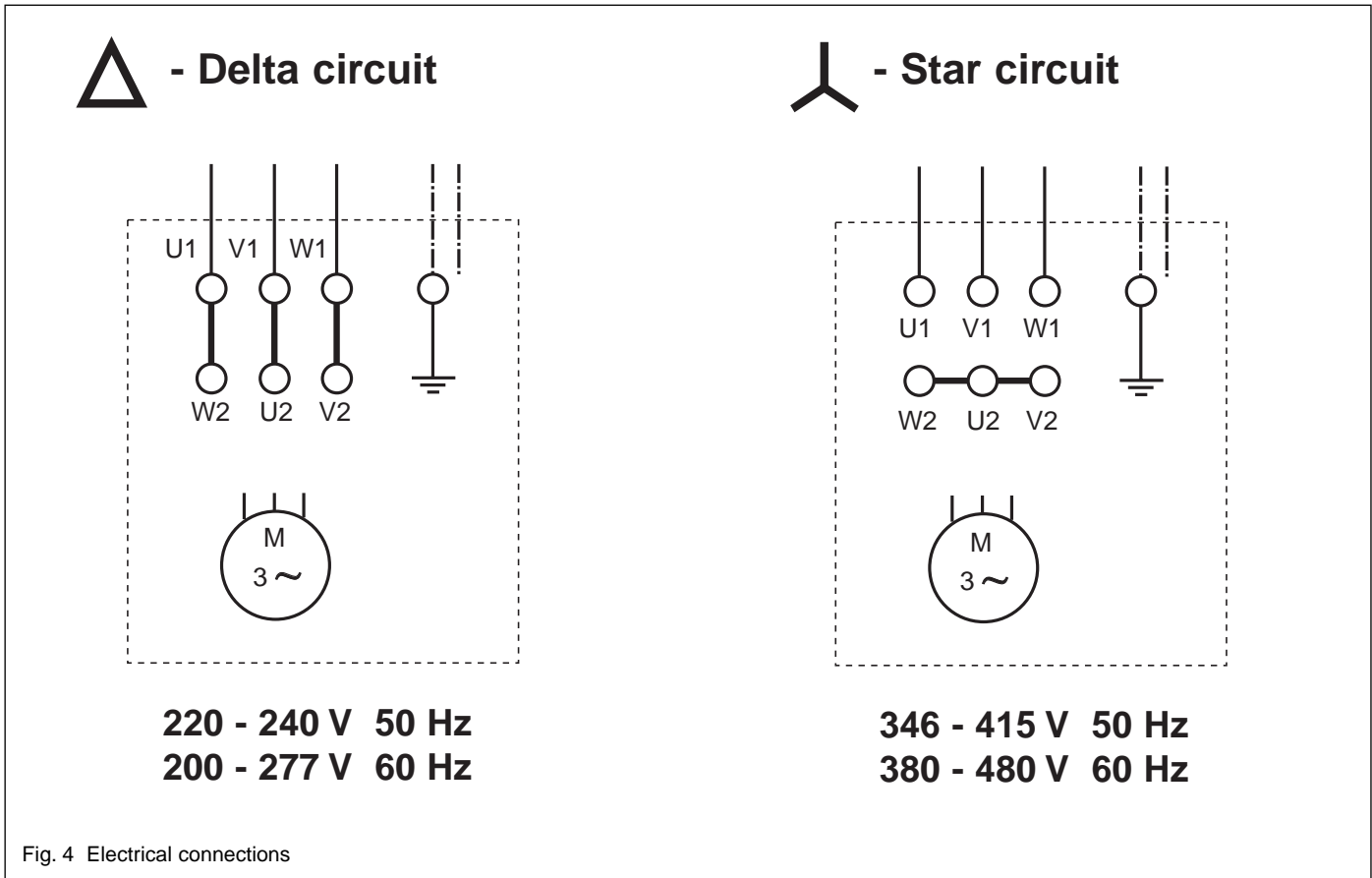
### 2.4.2 EcoDry M with Three-Phase Motor

Because of the principle of operation employed by the pump the direction of rotation is not relevant.

**Warning** If the thermal motor overload circuit breaker of the pump has responded, the motor will switch itself on automatically after the temperature has dropped back to permissible levels.



### 2.4.3 EcoDry - M with 3 phase motor



#### Warning Electrical Connection



Before beginning with any electrical work, ensure that the units have been disconnected from the mains power first.

The electrical connections must only be provided by an electrician in consideration of the requirements in accordance with DIN EN 60204 Part 1.



The motor must be connected to the mains power as indicated in the drawing.

Before applying the mains power, double check the way in which the wires have been connected to the terminals.

Fusing must be provided by the customer by means of suitable motor protection switches (Klöckner-Möller PKZMO, for example).

The setting of the motor protection switch must correspond to the current rating stated on the motor's name plate.

## 3 Application Notes

**Warning** Please also note the information provided on potential hazards given on pages 4, 5 and the subsequent pages.



### 3.1 General Application

The EcoDry M is ideal for applications that require the achievement of pressures as low as  $2 \cdot 10^{-2}$  mbar (2 Pa, 15 mTorr) without the risk of contamination from liquid lubricants. The pump may be operated intermittently as needed, or continuously for as long as 2 years without maintenance. Owing to its freedom from hydrocarbons and no compromise in performance, the EcoDry M replaces single-stage oil-sealed rotary pumps in many applications.

**Caution** Do **not** use the pump for applications that produce abrasive or adhesive substances or condensable vapours that can leave adhesive or high viscosity deposits. Also the formation of thicker deposits should be avoided since these too may form adhesive or high viscosity deposits.

### 3.2 EcoDry M Pumps for Backing of High-Vacuum Pumps

#### 3.2.1 Turbopumps and Wide Range Turbo Pumps

The EcoDry M is an oil-free dry compressing vacuum pump for safe operation of turbomolecular pumps which require a forevacuum pressure of  $p > 2 \cdot 10^{-2}$  mbar.

The design of the pump permits the EcoDry M to be operated in connection with classic and wide range turbomolecular pumps.

### 3.3 Condensable Vapours & Liquids

**Caution** The EcoDry M pump is **not** suited for prolonged pumping of condensable vapours above the specified water vapour tolerance. Pumping of liquids is to be avoided and will damage the pump.

- Normal amounts of water vapour in atmospheric air will not affect pump performance.

### 3.4 Use on Wet Processes

**Caution** Do not allow direct ingestion of liquids into the pump. Note the vapour tolerance levels which apply to this pump. In case of any questions in this matter do not hesitate to get in touch with Leybold Vacuum.

**Generally the following applies:**

- The lines connected to the pump should be so rated that no liquids can suddenly enter the pump.
- The chambers should only contain liquids having a low vapour pressure.
- Note the safety information provided in these Operating Instructions.

## 4 Maintenance

Under the operating conditions detailed, the EcoDry M is capable of operating continuously for a period of two years without any maintenance.

Since no operating means other than electric power are required for operation of the EcoDry M, any maintenance regarding operating agents and consumption is **not** required.

If in spite of this any unexpected maintenance becomes necessary within this period, please get in touch with the local Leybold Service.

When returning equipment to our Service please fill in **completely** the "Declaration of Contamination" form.

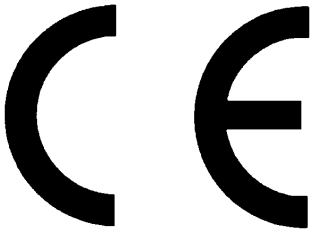
**Caution** If no such declaration is available to the Service, any processing will not be possible and the pump will possibly be returned to the sender.

**Warning** The EcoDry M must be packaged in such a way that the pump can not be damaged during shipping and so that no hazardous substances may escape from the package.



# 5 Troubleshooting

Fault	Possible cause	Remedy	Repair
Pump does not start up.	Faulty wiring. Motor protection switch not set correctly (three-phase motors only). Power supply voltage does not match the rating of the motor. Motor faulty. Pump has seized. Links in the terminal box.	Check the wiring and repair it. Properly set up the motor protection switch. Exchange the motor.  Exchange the motor. Repair the pump. Check the wiring acc. to wiring diagram.	Electrician Electrician  Service  Service Service Electrician
Pump does not attain its ultimate pressure.	Method of measurement or measuring instrument not suitable.  External leak. Degassing through water residues.  Process caused strong pollution of the pump. Defective shaft sealing ring. Exhaust pipe dirty.  <b>Caution:</b> Roughing lines and other vacuum lines must be clean. Especially if previously evacuated by oil-sealed pumps the lines must be cleaned first. Exhaust pressure too high (Pabs =>1200 mbar). Pump temperature too low.	Use the right method of measurement or measuring instrument. Measure the pressure directly at the intake port of the pump. Repair the pump. Pump must be run for 30 min in gas ballast position 1 / check the process. Disassemble and clean the pump.  Change shaft sealing ring. Clean the exhaust pipe and then run the pump in gas ballast position 1.   Optimise cross section of the exhaust pipe. Warm up the pump (>1h).	Service  Service  Service
Pumping speed of the pump is too low.	Dirt trap in the intake line is clogged. Connection lines too narrow or too long.   Exhaust counter-pressure too high.  Nom. pumping speed of pump is too low.	Clean the dirt trap. Use sufficiently wide and short intake lines. (see application information). Preventive action:: Install a dust filter in the intake line. Exchange the filter element. Optimise cross section of the exhaust pipe. Check the application.	
After switching the pump off, the pressure in the system increases too fast.	System has a leak. Missing valve for blocking intake (automatic or at pump standstill). Valve at the intake is not closed. Exhaust valve leaky (loud noise from the exhaust system at ultimate pressure).	Check the system. Fit a valve that seals off the inlet (see application information). Close the valve for inlet. Repair the pump.	Service
Pump gets hotter than previously observed.	Supply of cooling air is obstructed.  Ambient temperature is too high. Process gas is too hot.  Deviation of the mains voltage.  Exhaust pressure too high.	Install the pump properly (10 cm clearance around the pump). Install the pump properly (<50°C). Change the process, if needed cool down to max. inlet temperature = 50°C. Check the motor-supply voltage and mains voltage. Optimise cross sectional area exhaust pipe.	Electrician
The pump is extremely loud.	Faulty bearing. Thick particulate deposits. Silencer defective. High gas throughput with open exhaust port.	Repair the pump. Repair the pump. Repair silencer. Install exhaust line or a silencer	Service Service



## EC Declaration of Conformity



We – LEYBOLD VACUUM GmbH – herewith declare that the products defined below meet the basic requirements regarding safety and health of the relevant EC directives by design, type and the versions which are brought in to circulation by us.

In case of any products changes made without our approval, this declaration will be void.

Product designation: Oil-free vacuum pump

Models:	Cat. No.
EcoDry - M 15	130 000 130 001 130 002 130 004
EcoDry - M 20	130 010 130 011 130 012 130 014

### **The product meets the requirements of the following directives:**

- EC Directive on Machinery (98/37/EG)
- EC Directive on Low-Voltages (73/23)+(93/68/EWG)
- EC Directive on Electromagnetic Compatibility (89/336/EWG) (91/263/EWG) + (92/31/EWG) + (93/68/EWG)

### **Applied harmonised standards:**

- |                        |       |
|------------------------|-------|
| • DIN EN 292 Part 1    | 11.91 |
| • DIN EN 292 Part 2    | 06.95 |
| • DIN EN 1012 Part 2   | 07.96 |
| • DIN EN 60 204 Part 1 | 11.98 |

### **Applied national standards and technical specifications:**

- |              |            |
|--------------|------------|
| • DIN 31 001 | April 1983 |
|--------------|------------|

Cologne, July 02, 2001

K. Kilian, Business Area Manager LPV  
Division Industrial

Cologne, July 02, 2001

Dr. Bahnen, Head of R&D LPV  
Division Industrial





### Declaration of Contamination of Compressors, Vacuum Pumps and Components

The repair and / or servicing of compressors, vacuum pumps and components will be carried out only if a correctly completed declaration has been submitted. Non-completion will result in delay. The manufacturer can refuse to accept any equipment without a declaration. A separate declaration has to be completed for every single component.

This declaration may be completed and signed only by authorised and qualified staff.

**Customer/Dep./Institute:** \_\_\_\_\_  
**Address:** \_\_\_\_\_  
**Person to contact:** \_\_\_\_\_  
**Phone:** \_\_\_\_\_ **Fax:** \_\_\_\_\_  
**Order number of customer:** \_\_\_\_\_

**Reason for returning the item/s**

\_\_\_\_\_

\_\_\_\_\_

\_\_\_\_\_

\_\_\_\_\_

#### A. Description of the equipment (machine or component)

**Type:** \_\_\_\_\_  
**Catalogue number:** \_\_\_\_\_  
**Serial number:** \_\_\_\_\_  
**Type of oil used:** \_\_\_\_\_

**Ancillary equipment**

\_\_\_\_\_

\_\_\_\_\_

\_\_\_\_\_

#### B. Condition of the equipment (machine or component)

	Yes	No	Not known
1. Has the equipment been used	<input type="checkbox"/>	<input type="checkbox"/>	<input type="checkbox"/>
2. Drained (product/service fluid)	<input type="checkbox"/>	<input type="checkbox"/>	<input type="checkbox"/>
3. All openings sealed airtight	<input type="checkbox"/>	<input type="checkbox"/>	<input type="checkbox"/>
4. Purged: Cleaning agent: _____ Method of cleaning: _____	<input type="checkbox"/>	<input type="checkbox"/>	<input type="checkbox"/>

#### C. Description of processes / substances (Please fill in absolutely)

1. What substances have come into contact with the equipment:  
Trade name, chemical name of service fluids and substances processed, properties of the substances according to safety data sheet (toxic, inflammable, corrosive, radioactive)

	Trade name:	Chemical name:	Properties:
a)			
b)			
c)			
d)			

2. Are these substances harmful? Yes  No  Not known

3. Dangerous decomposition products when thermally loaded Yes  No  Not known

Which: \_\_\_\_\_

Components contaminated by micro biological, explosive or radioactive products will not be accepted without written evidence of decontamination.

#### D. Legally binding declaration

I/we hereby declare that the information supplied on this form is accurate and sufficient to judge any contamination level.

Name of authorised person (block letters): \_\_\_\_\_

\_\_\_\_\_ date  
 \_\_\_\_\_ signature of authorised person  
 \_\_\_\_\_ firm stamp

Copies: Page 1 (white) to manufacturer or representative – Page 2 (yellow) attach to consignment packaging securely – Page 3 (blue) copy for file of sender

# Sales Net worldwide

## AMERICA

### USA:

LEYBOLD VACUUM USA  
5700 Mellon Road  
Export, PA 15632  
Phone: +1-724-327 57 00  
Fax: +1-724-733 12 17  
Internet: <http://www.leyboldvacuum.com>

### Canada:

LEYBOLD Canada Inc.  
7050 Telford Way, Unit 5  
Mississauga, Ontario  
Canada L5S 1V7  
Phone: +1-905-672 77 04  
Fax: +1-905-672 22 49  
e-mail:  
[reachus@leybold.on.ca](mailto:reachus@leybold.on.ca)

## EUROPE

### Deutschland:

LEYBOLD VAKUUM  
GmbH  
Bonner Straße 498  
D-50968 Köln  
Phone: +49-221-347-1234  
Fax: +49-221-347-12 45  
Internet: [www.leyboldvac.de](http://www.leyboldvac.de)  
e-mail:  
[sales@leyboldvakuum.com](mailto:sales@leyboldvakuum.com)

### Belgien/Niederlande/ Luxemburg:

LEYBOLD N.V.  
Leuvensesteenweg 542, 9A  
B-1930 Zaventem  
Phone: +32-2-71 10 083  
Fax: +32-2-72 08 338

### LEYBOLD B.V.

Computerweg 7  
NL-3606 AV Maarssen  
Phone: +31-346-583 999  
Fax: +31-346-583 990

### Frankreich:

LEYBOLD S.A.  
7, Avenue du Quebec  
Z.A. de Courtaboeuf, B.P. 42  
F-91942 Courtaboeuf Cedex  
Phone: +33-1-69 82 48 00  
Fax: +33-1-69 07 57 38  
e-mail:  
CompuServe:100635,43

### Groß-Britannien/Irland:

LEYBOLD LTD.  
Waterside Way,  
Plough Lane  
GB-London SW 17 OHB  
Phone: +44-208-97170 00  
Fax: +44-208-971 70 01

### Italien:

LEYBOLD S.P.A.  
Via Trasimeno 8  
I-20128 Milano  
Phone: +39-02-27 22 31  
Fax: +39-02-27 20 96 41

### Spanien:

LEYBOLD S.A.  
C/. Mataró, 27  
Polígono Industrial Les  
Grases  
E-08980 Sant Feliu de  
Llobregat (Barcelona)  
Phone: +34-93-666 46 16  
Fax: +34-93-666 43 70

### Schweden:

LEYBOLD AB  
Box 9084  
40092 Göteborg  
Phone: +46-31-68 84 70  
Fax: +46-31-68 39 39

### Schweiz/ Liechtenstein:

LEYBOLD AG  
Leutschenbachstraße 55  
CH-8050 Zürich  
Phone: +41-1-308 40 50  
Fax: +41-1-302 43 73

## ASIA

### Volksrepublik China:

LEYBOLD (Tianjin)  
VACUUM EQUIPMENT  
MANUFACTURING Co.,  
Ltd.  
Beichen Economic Develop-  
ment Area (BEDA)  
Tianjin 300400, China  
Phone: +86-22 26 972 016  
Fax: +86-22 26 972 017  
e-mail:  
[leybold@public.tpt.tj.cn](mailto:leybold@public.tpt.tj.cn)

### Japan:

LEYBOLD Co., Ltd.  
Head Office  
Tobu A.K. Bldg. 4th Floor  
23-3, Shin-Yokohama 3-  
chome  
Kohoku-ku, Yokohama-shi  
Kanagawa ken 222-0033  
Phone: +81-45-471 33 30  
Fax: +81-45-471 33 23

### Korea:

LEYBOLD Korea Ltd.  
4th Fl. Shinan Bldg., 173-1  
Jangchoog-dong 2ga,  
Choong-ku  
Seoul 100-392, Korea  
C.P.O. Box 709

Phone: +82-2-227 11 567  
Fax: +82-2-227 11 568

### Singapore:

BALZERS and LEYBOLD  
Singapore Pte. Ltd.  
1 Tuas South Street 3  
Singapore 638043  
Phone: +65-865 18 65  
Fax: +65-862 22 95

### Taiwan:

LEYBOLD Taiwan, Ltd.  
2 F, No 416-1, Sec. 3  
Chung-Hsin Rd.  
Chu Tung, Hsinchu.  
Taiwan R.O.C: 310  
Phone: +886-3-583 39 88  
Fax: +886-3-583 39 99



## LEYBOLD VAKUUM GmbH

Bonner Strasse 498 (Bayenthal)  
D-50968 Cologne  
Tel.: ++49 (0)221 347-0  
Fax: ++49 (0)221 347-1250  
<http://www.leyboldvac.de>  
e-mail: [documentation@leyboldvac.de](mailto:documentation@leyboldvac.de)