



# HiCube 300 Eco, DN 100 CF-F, MVP 015-2, 100-240

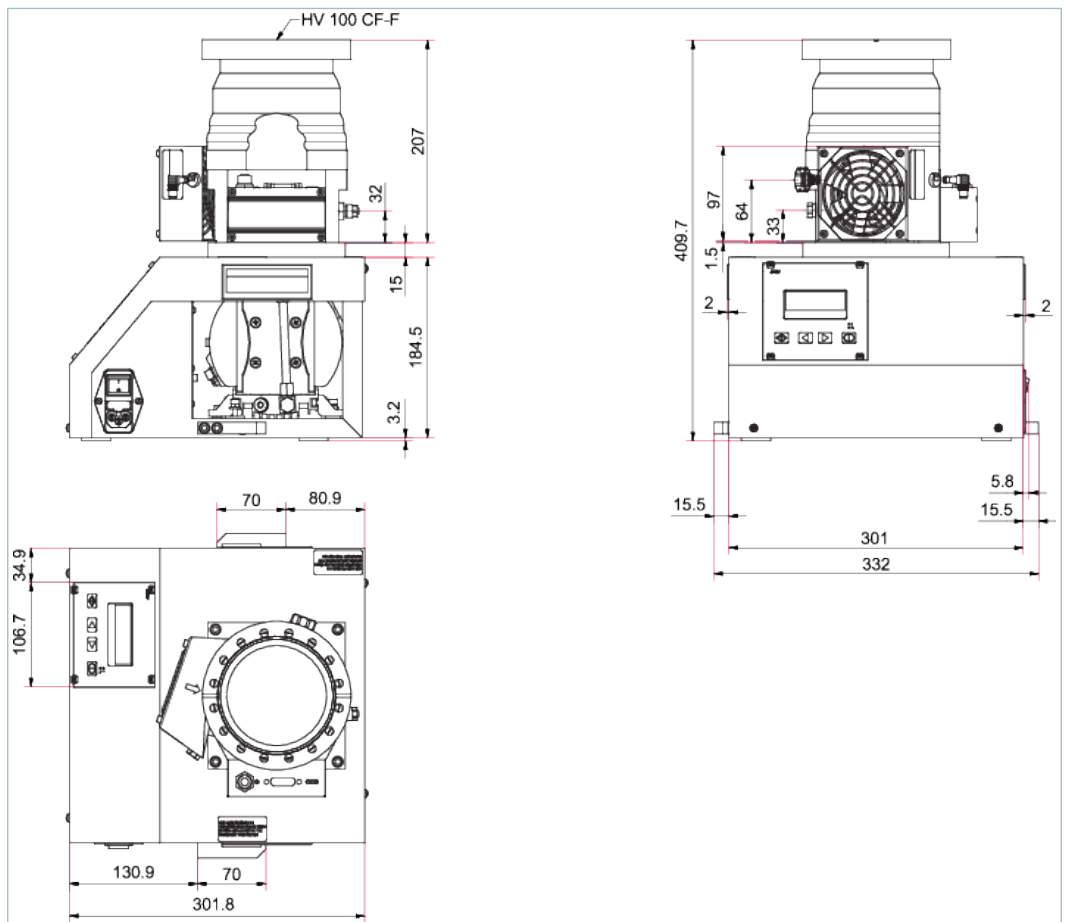


Similar Image

## HiCube 300 Eco, DN 100 CF-F, MVP 015-2, 100-240

- Compact high performance pumping station for all high and ultrahigh vacuum applications
- Plug and play solution with HiPace 300 turbopump and multistage diaphragm pump MVP 015-2
- Intermittent mode adapts the pumping station to the process conditions and saves up to 90% energy
- Easy integration of pressure gauges from the accessories

### Dimensions



Technical Data	HiCube 300 Eco, DN 100 CF-F, MVP 015-2, 100-240
Backing pump	MVP 015-2
Cooling method, standard	Air
Flange (in)	DN 100 CF-F
Flange (out)	Silencer, G1/8
Mains requirement: frequency (range)	50/60 Hz
Mains requirement: voltage	100-240 V
Pumping speed backing pump at 50 Hz	1 m <sup>3</sup> /h
Pumping speed for N <sub>2</sub>	260 l/s
Turbopump	HiPace 300
Type	Turbo pumping station
Ultimate pressure	< 1 · 10 <sup>-10</sup> hPa   < 7.5 · 10 <sup>-11</sup> Torr   < 1 · 10 <sup>-10</sup> mbar

<b>Technical Data</b>	<b>HiCube 300 Eco, DN 100 CF-F, MVP 015-2, 100-240</b>
Weight	17.9 kg   39.46 lb
<b>Order number</b>	
HiCube 300 Eco	<b>PM S77 100 00</b>

## **VACUUM SOLUTIONS FROM A SINGLE SOURCE**

Pfeiffer Vacuum stands for innovative and custom vacuum solutions worldwide, technological perfection, competent advice and reliable service.

## **COMPLETE RANGE OF PRODUCTS**

From a single component to complex systems:

We are the only supplier of vacuum technology that provides a complete product portfolio.

## **COMPETENCE IN THEORY AND PRACTICE**

Benefit from our know-how and our portfolio of training opportunities!

We support you with your plant layout and provide first-class on-site service worldwide.

Are you looking for a  
perfect vacuum solution?  
Please contact us:

**Pfeiffer Vacuum GmbH**  
Headquarters · Germany  
T +49 6441 802-0  
info@pfeiffer-vacuum.de

[www.pfeiffer-vacuum.com](http://www.pfeiffer-vacuum.com)

All data subject to change without prior notice.

**PFEIFFER**  **VACUUM**