



TECHNICAL DATA

DISPLACEMENT $L_{Min}(50/60\text{hz})$ - 1000/1200

ULTIMATE PRESSURE - Pa - 1

MOTOR POWER - kW - 1.4

NOISE LEVEL - dB(A) - 67

COOLING SYSTEM - Air Cooled

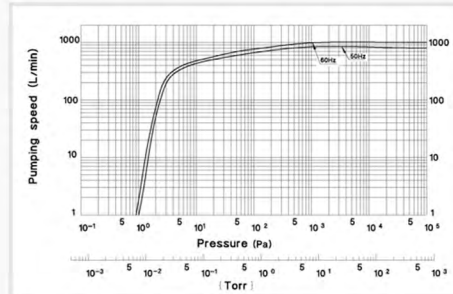
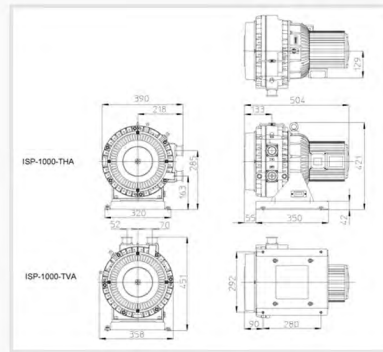
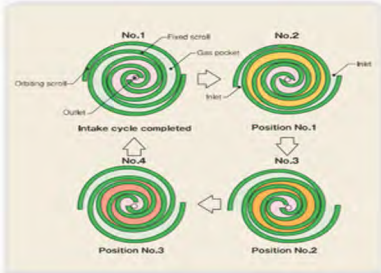
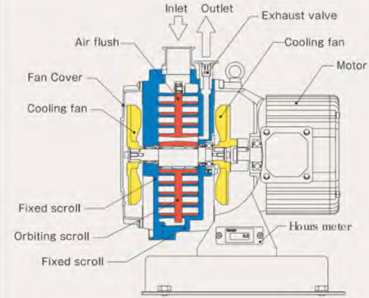
INLET CONNECTION - NW40

OUTLET CONNECTION - NW40

DIMENSIONS mm. - 467 x 390 x 421

WEIGHT - (kg) - 60

We Can Rebuild & Service your ISP-1000.



ISP APPLICATIONS

- SPUTTERING EQUIPMENT
- SYNCHROTRON RADIATION
- SURFACE MODIFICATION
- ELECTRON BEAM PROCESS
- GAS RECOVERY DEVICES
- VACUUM EQUIPMENT
- LEAK DETECTORS
- DEVICE HANDLING SYSTEM
- LABORATORY USE

We Can Rebuild & Service your ISP-1000.



ANEST IWATA
Scroll Meister ISP-1000 Dry Scroll Pump

SALES & SERVICE 1-973-249-0854

