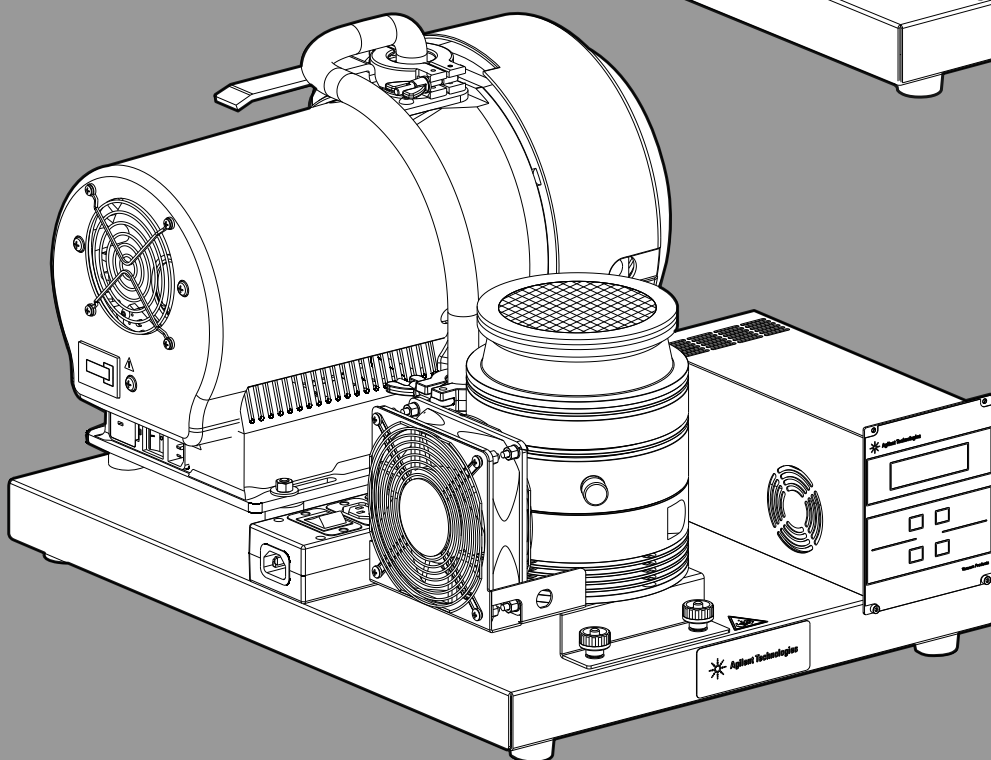
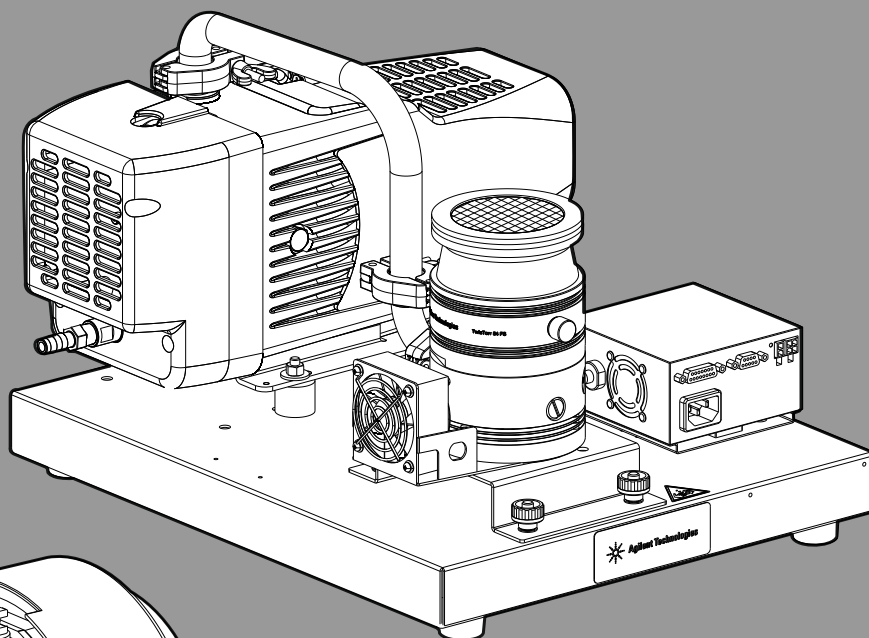




Agilent TPS-flexy

Quick Reference Assembly Guide



United States

Toll free: +1 800 882 7426

Europe and other countries

Toll free: 00 800 234 234 00

China

Toll free: 800 820 3278

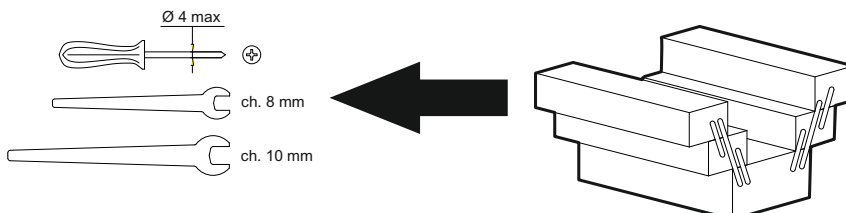
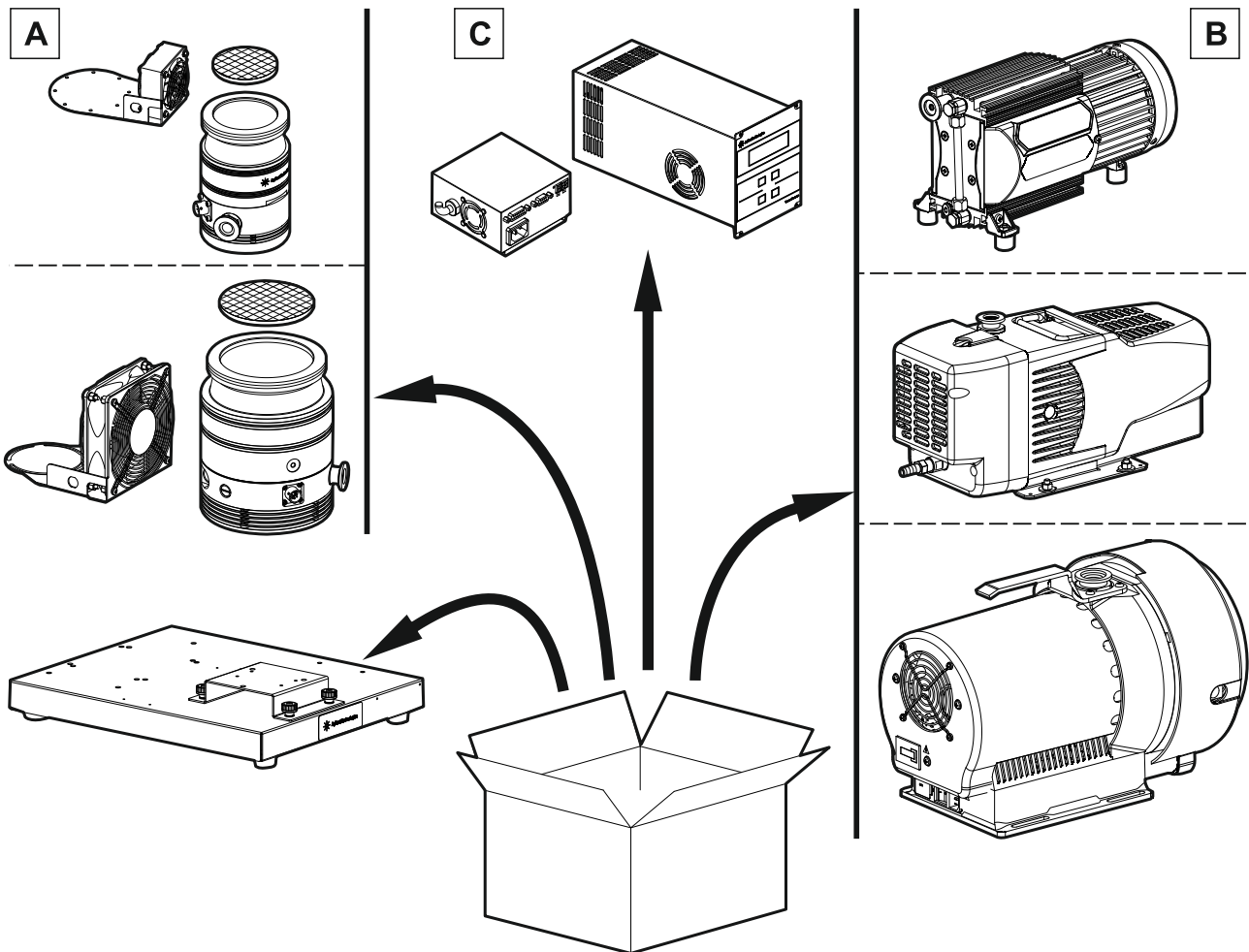


Agilent Technologies

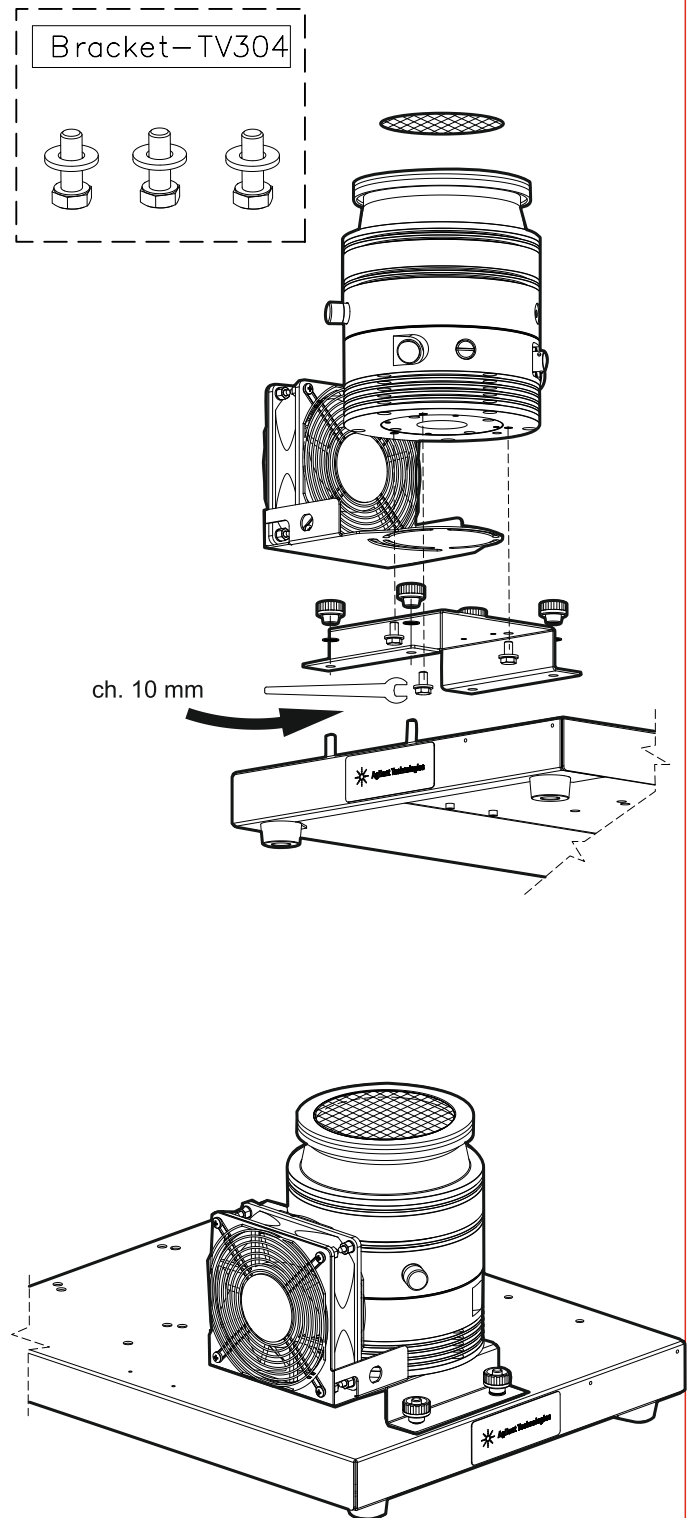
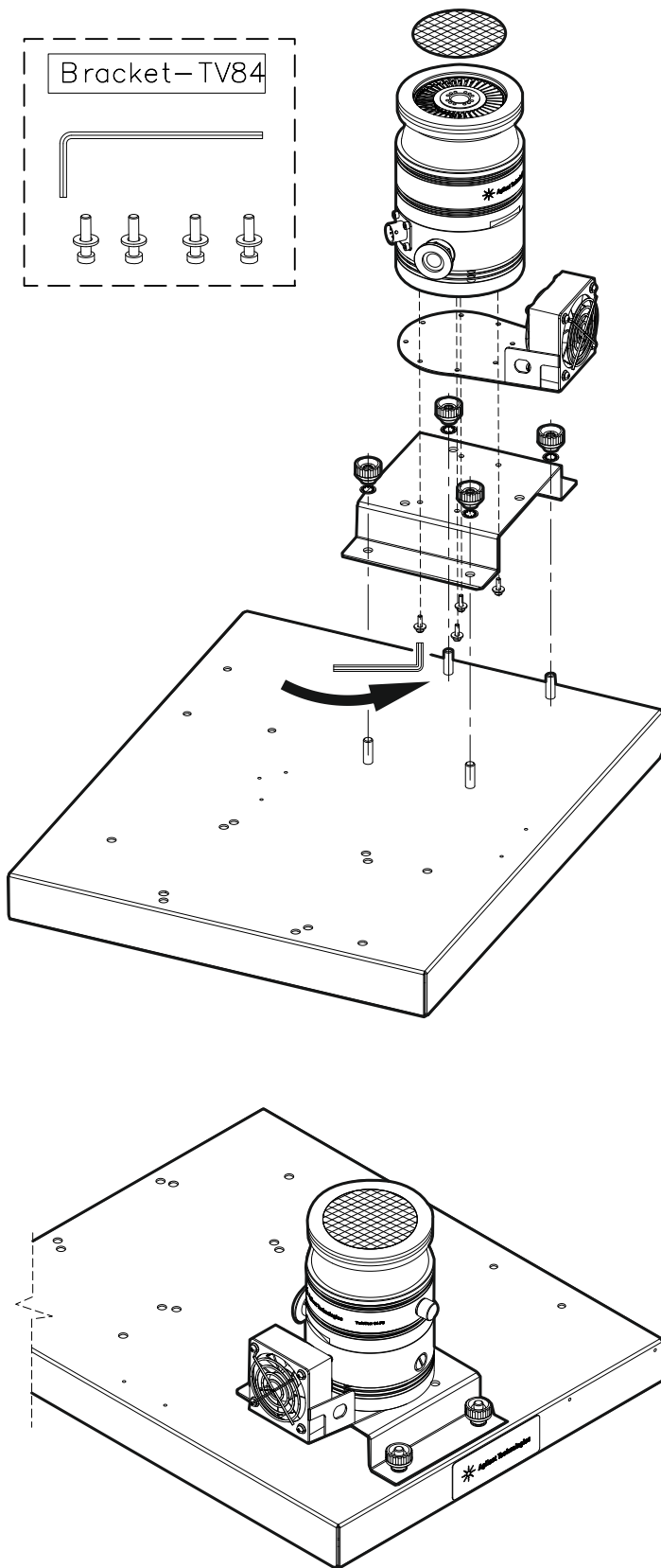
PRELIMINARY

Agilent TPS-flexy
Quick Reference Assembly Guide

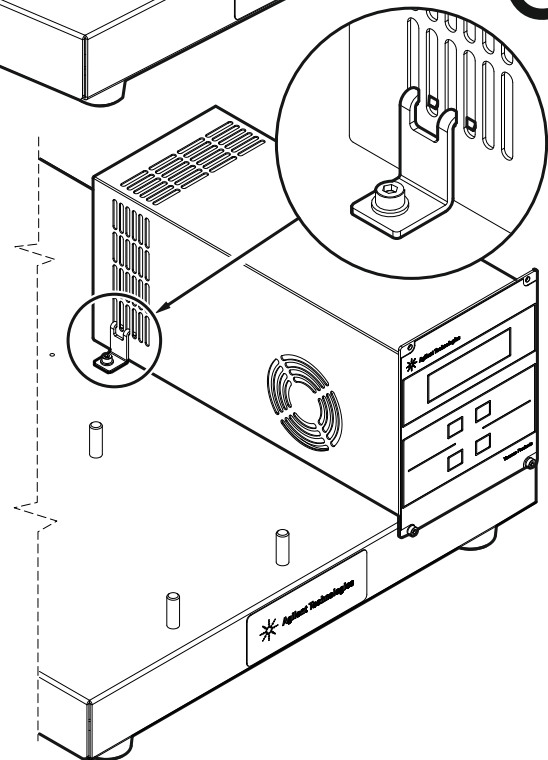
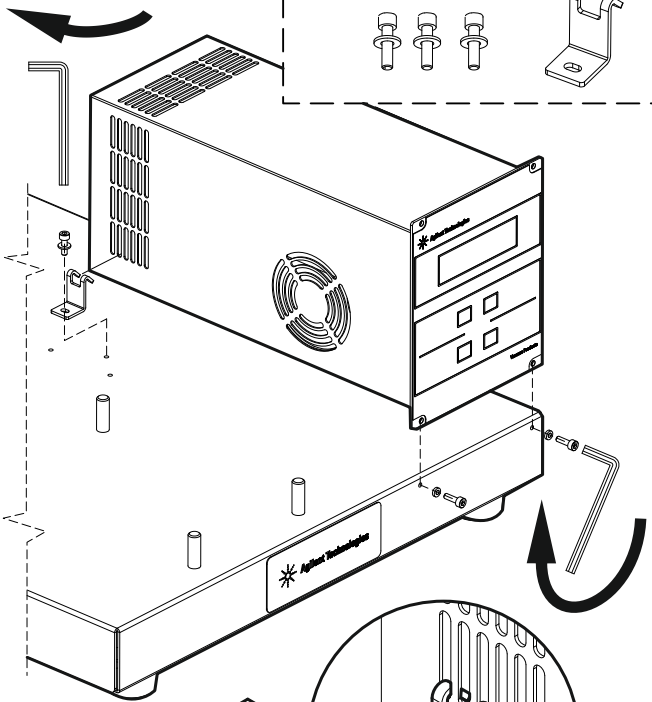
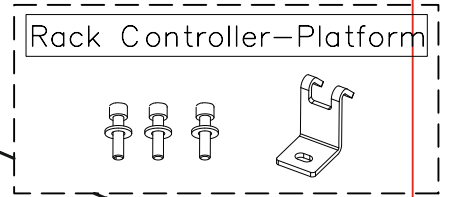
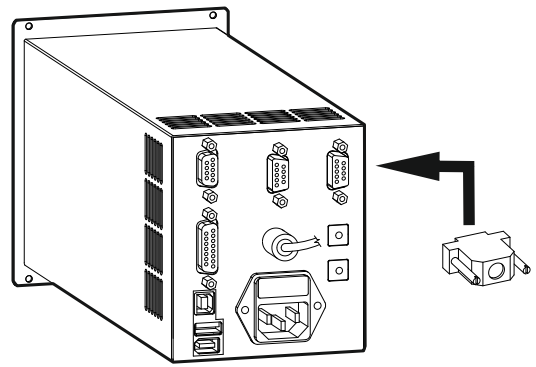
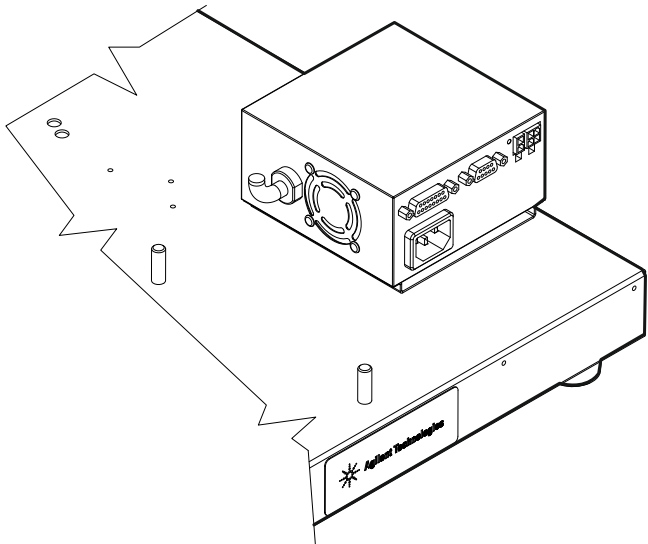
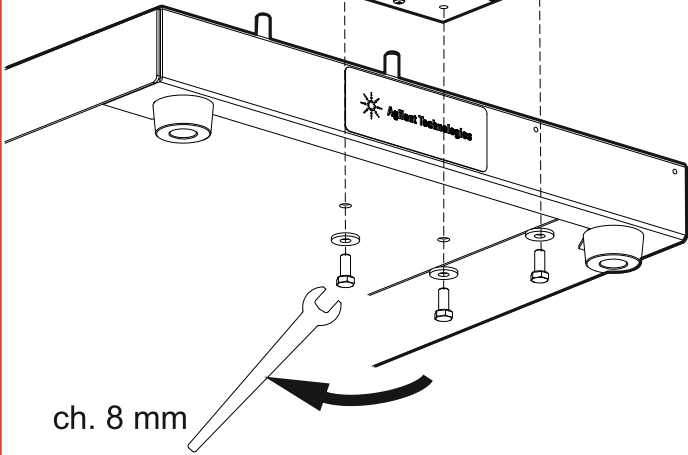
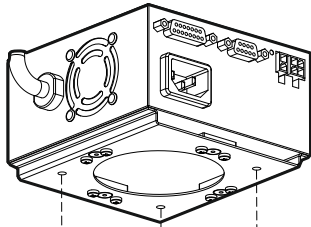
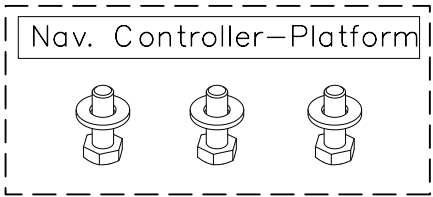
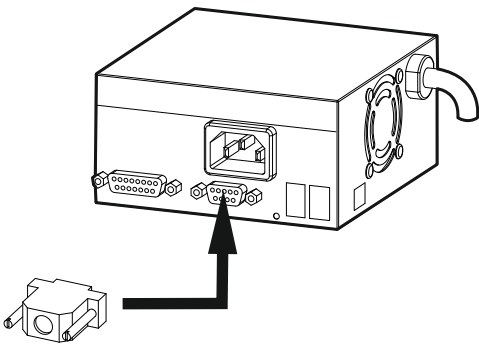
		X1699-64020	X1699-64021	X1699-64022	X1699-64023	X1699-64024	X1699-64025	X1699-64026	X1699-64027	X1699-64028	X1699-64029	X1699-64030	X1699-64031	X1699-64032	X1699-64033	X1699-64034	X1699-64035	X1699-64036	X1699-64037		
A	TURBO PUMP	Twistorr 84FS	•	•	•	•	•	•	•	•	•	•	•								
		Twistorr 304FS													•	•	•	•	•	•	
B	BACKING PUMP	IDP-3	•	•	•	•	•	•	•									•	•	•	
		SH-110													•	•	•				
		Diaphragm pump MD-1									•	•	•	•							
C	CONTROLLER	Control Unit Panel			•			•				•			•			•			
		Control Unit Box	•	•		•	•	•		•	•	•		•	•		•	•		•	



Agilent TPS-flexy Quick Reference Assembly Guide

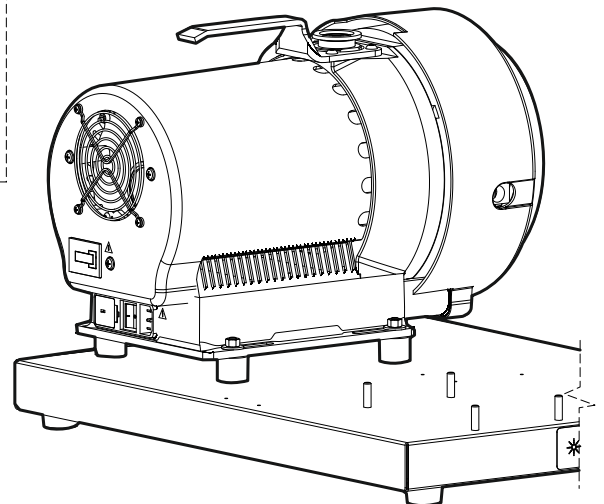
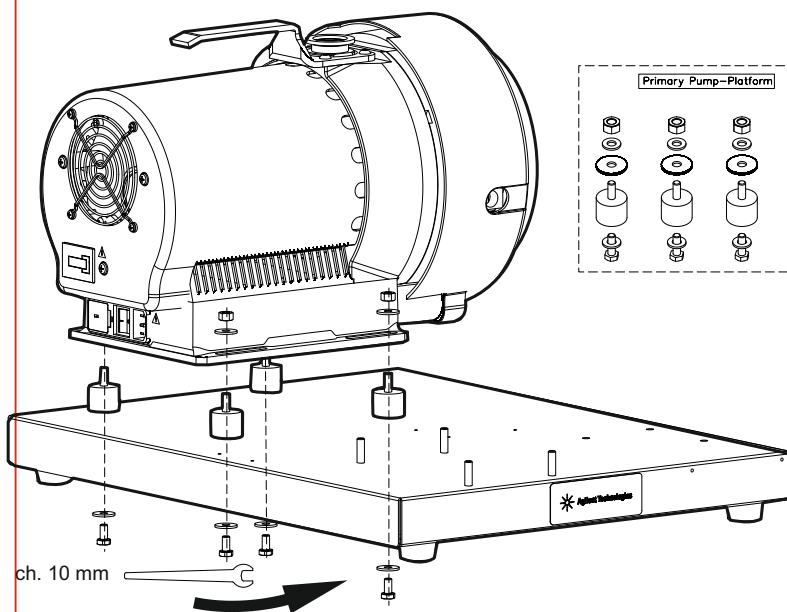
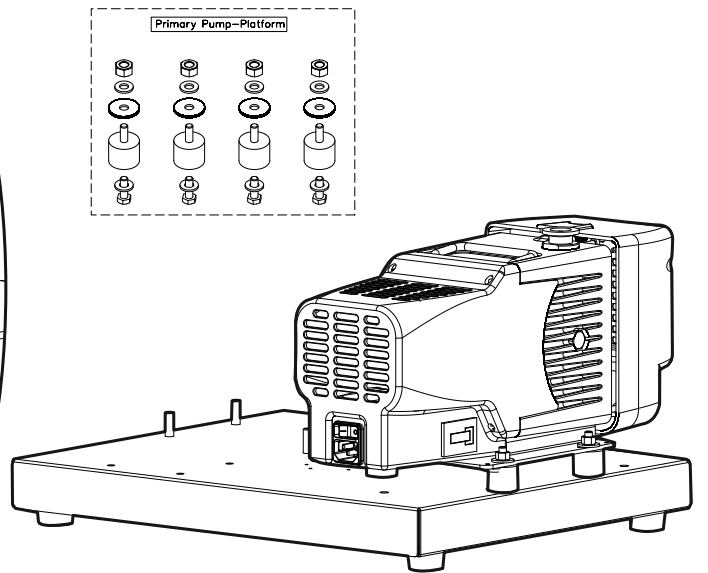
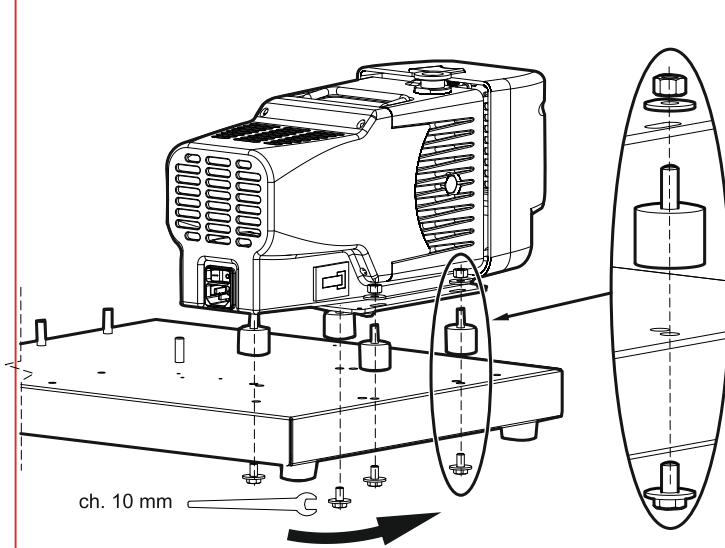
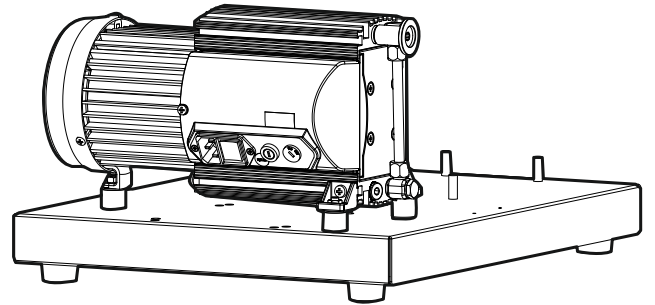
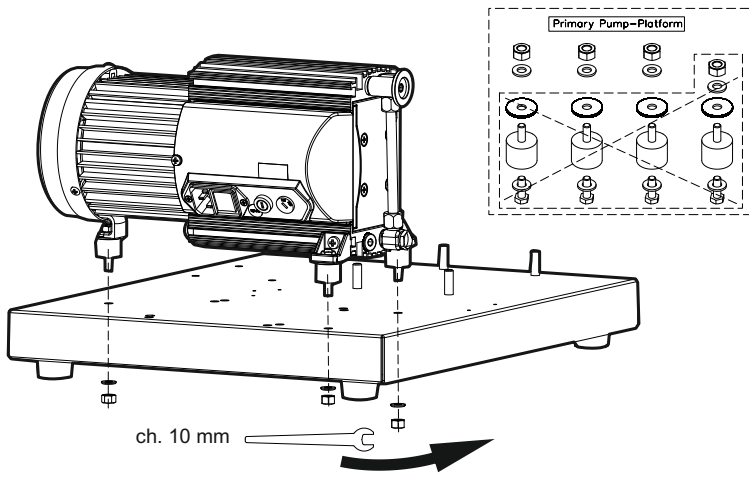


Agilent TPS-flexy Quick Reference Assembly Guide

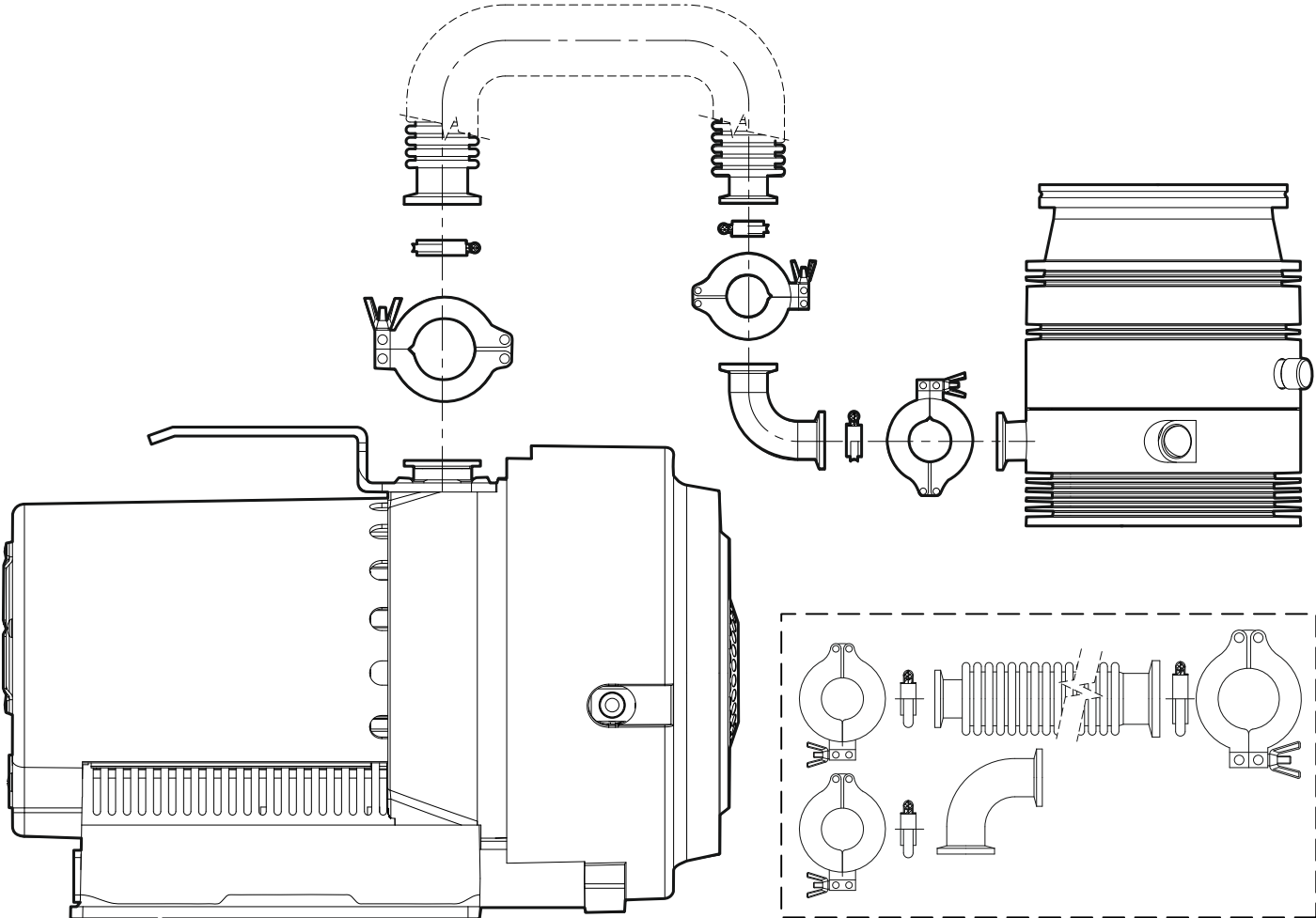
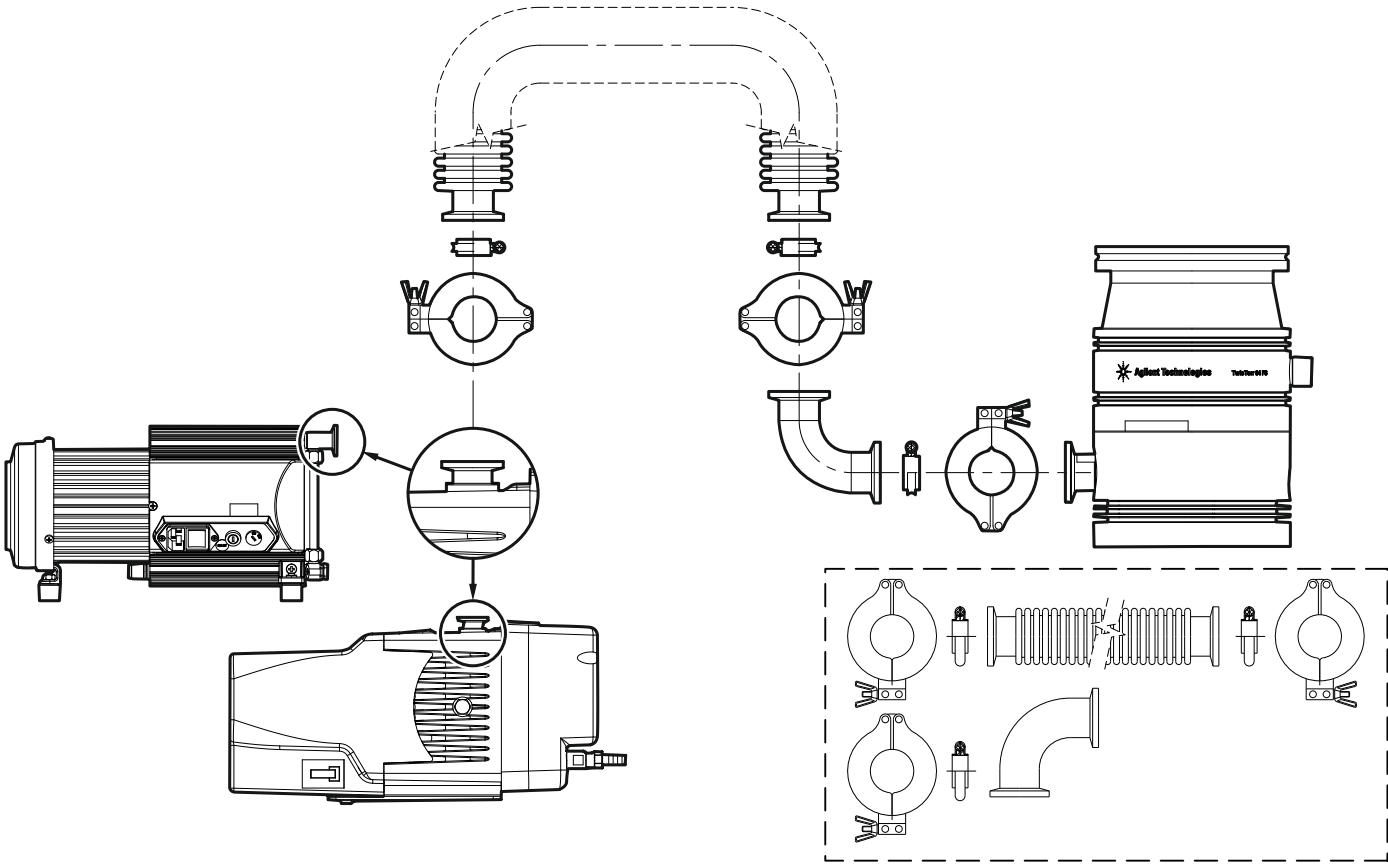


Agilent TPS-flexy

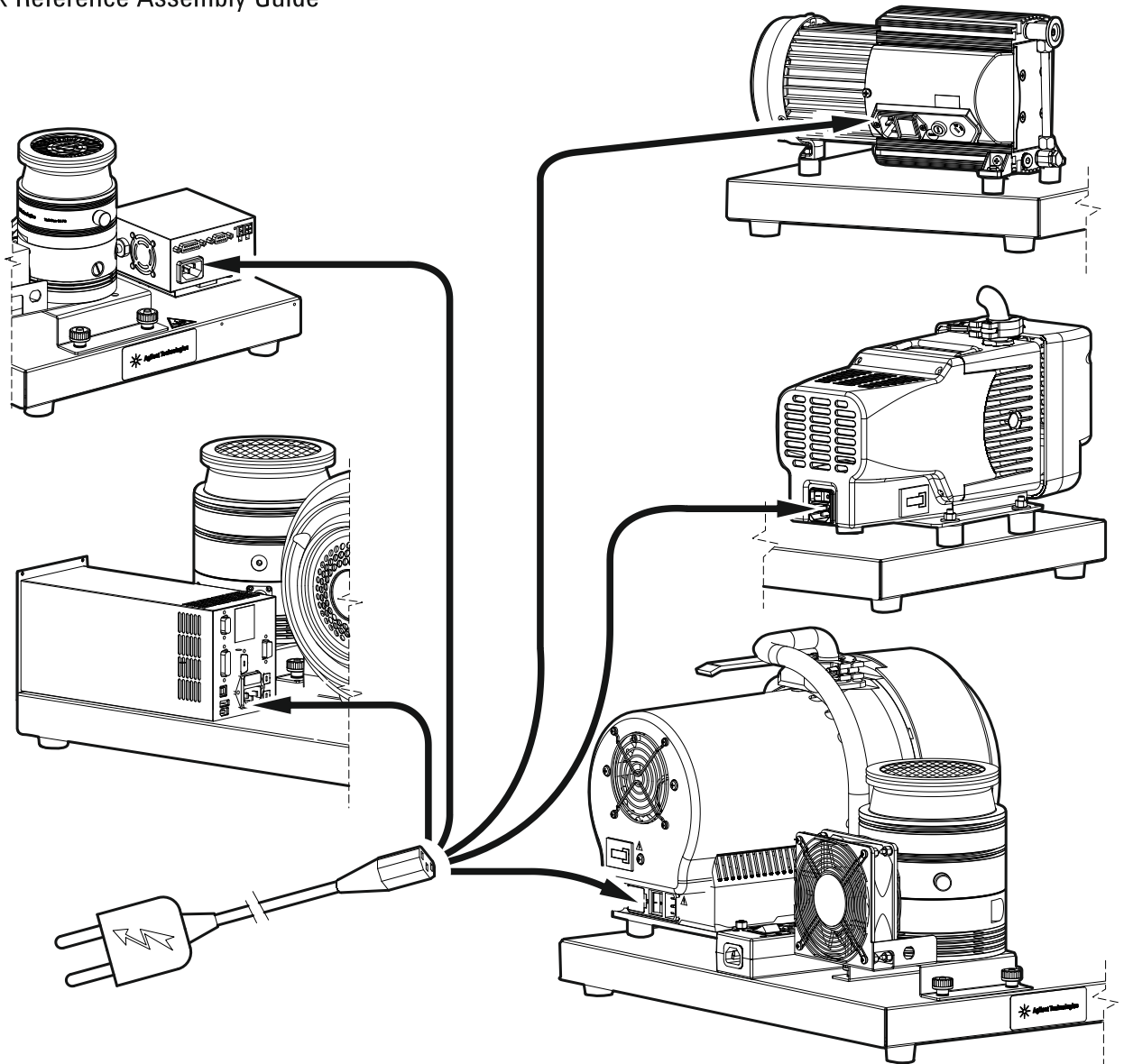
Quick Reference Assembly Guide



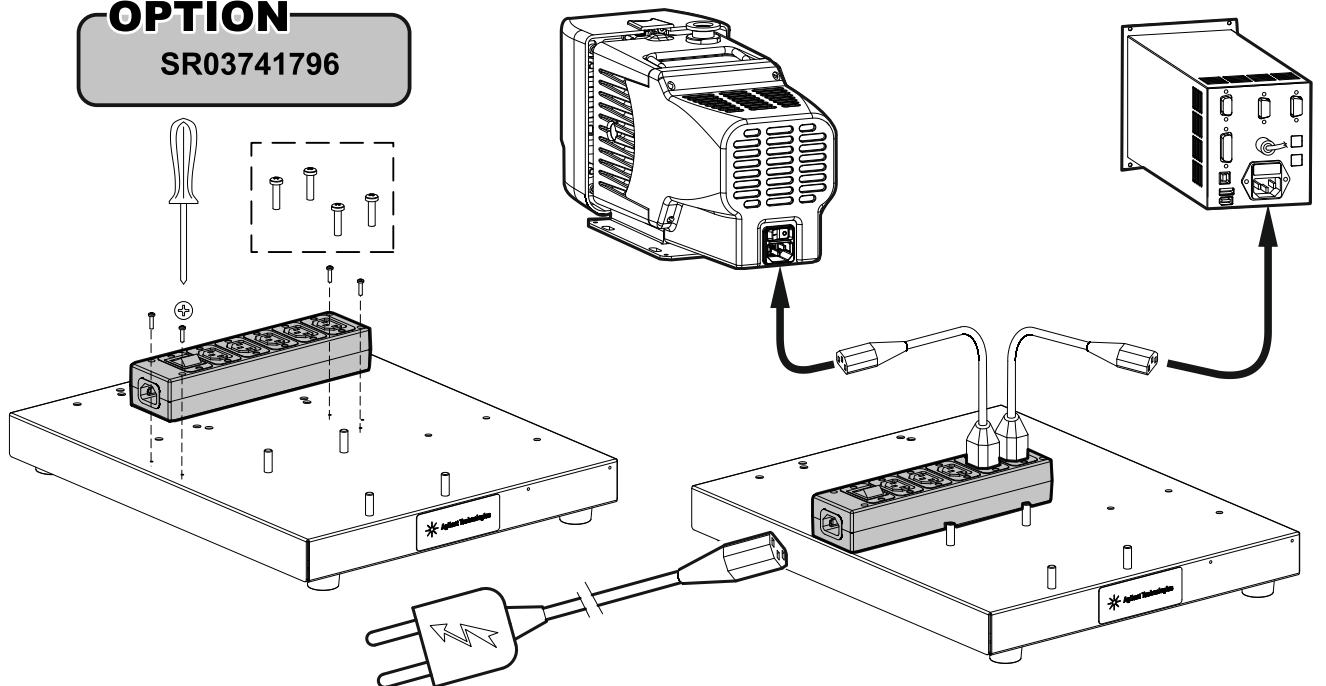
Agilent TPS-flexy
Quick Reference Assembly Guide



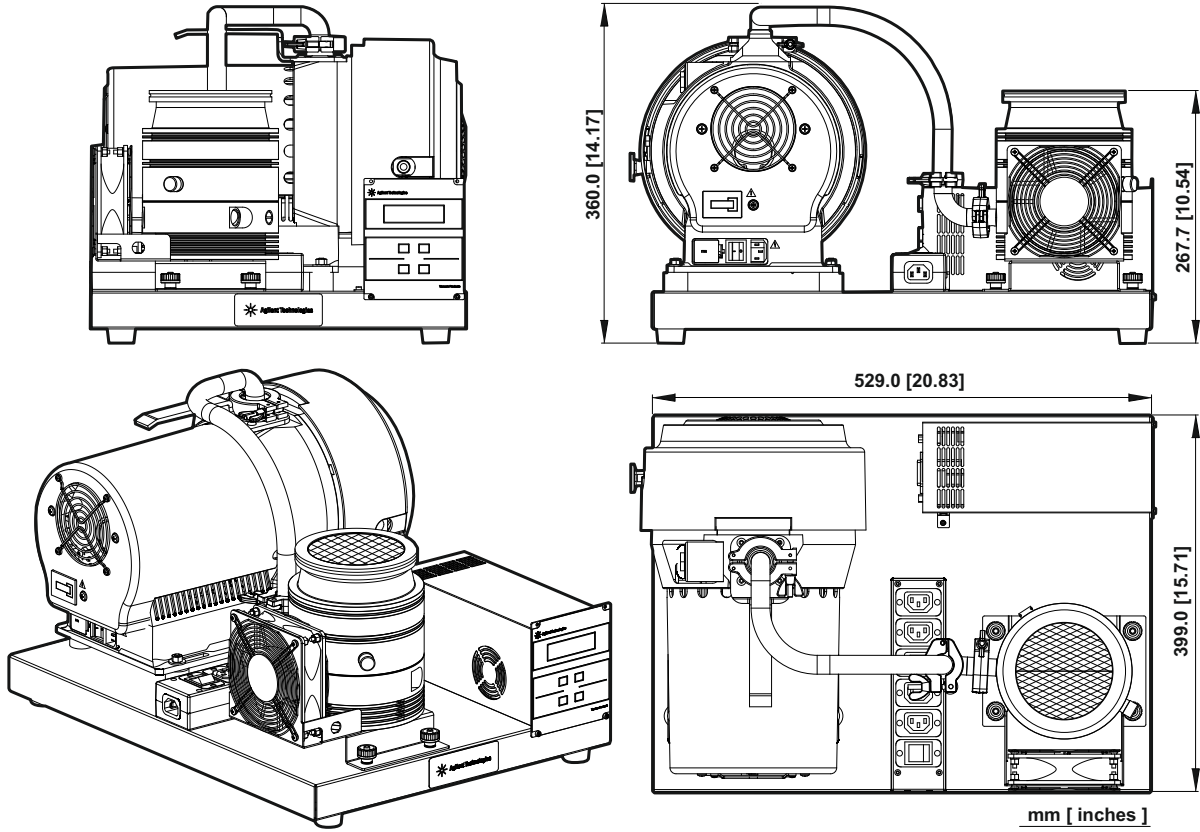
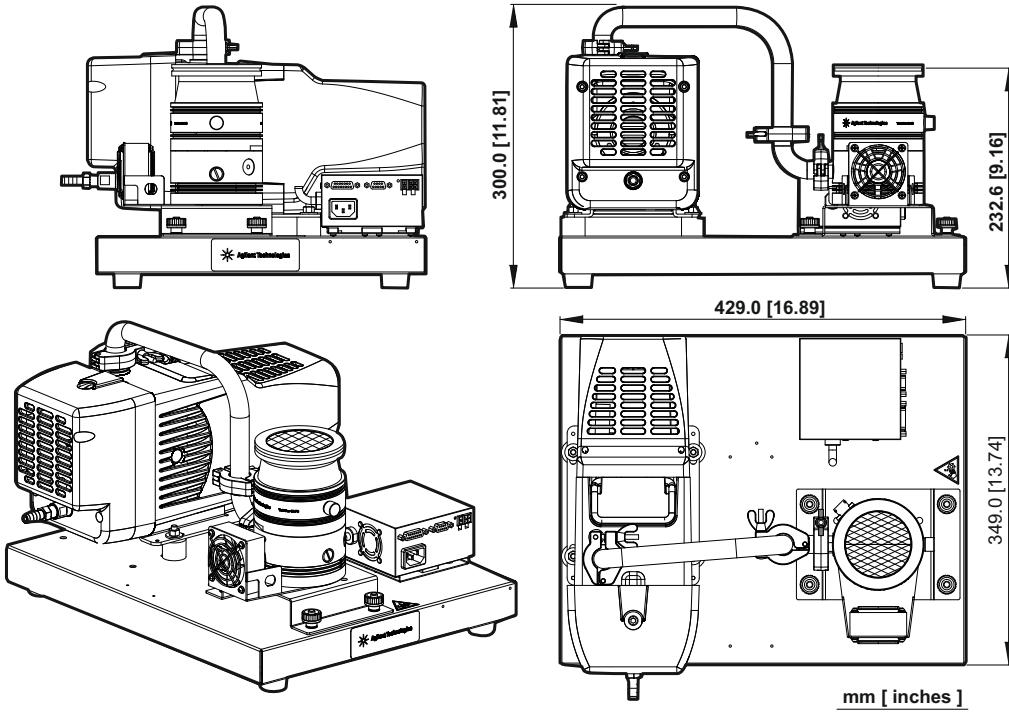
Agilent TPS-flexy
Quick Reference Assembly Guide



OPTION
SR03741796



Agilent TPS-flexy
Quick Reference Assembly Guide



WARNING

Danger due to open high vacuum flange
The rotor of the turbopump turns at high speed. If the high vacuum flange is open, there is a danger of cut injuries and that the pump can be destroyed by objects falling into it.
→ Never operate the pump with an open high vacuum flange.

Agilent TPS-Flexy

Quick Reference Assembly Guide

United States

Agilent Technologies
121 Hartwell Avenue, Lexington MA 02421, USA
Tel: +1 781 861 7200, Fax: +1 781 860 5437
Toll free: +1 800 882 7426

Europe and other countries

Agilent Technologies Italia SpA
via F.lli Varian 54, 10040 Leini, (Torino), Italy
Tel: +39 011 9979 111, Fax: +39 011 9979 350
Toll free: 00 800 234 234 00

China

Agilent Technologies Co. Ltd.
No.3, Wang Jing Bei Lu, Chao Yang District,
Beijing, 100102, China
Tel: +86 (0) 10 64397888, Fax: +86 (0) 10 64392765
Toll free: 800 820 3278

This information is subject to change without notice.

© Agilent Technologies, Inc. 2015
Published in Italy, March, 2015



Agilent Technologies