



IKR[®] 270, Metal Sealed, 40 CF-F

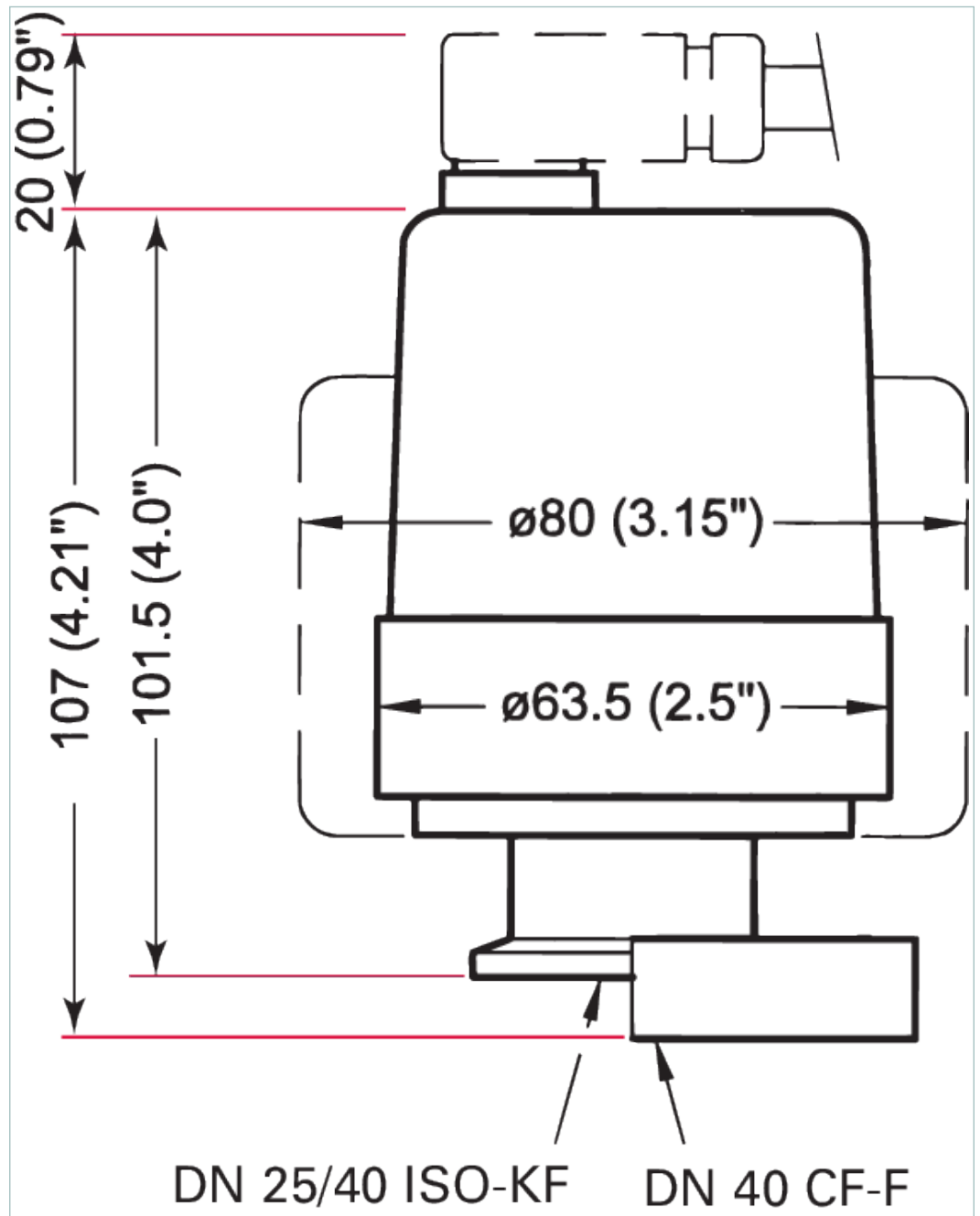


Similar Image

IKR® 270, Metal Sealed, 40 CF-F

- Flange size: DN 40 CF-F
- Maximum pressure refers to inert gases and temperatures of less than 55 °C
- Cold cathode (inverted magnetron)
- Rugged and dependable
- Insensitive to air ingress
- Corrosion-resistant
- The ultimate pressure and temperature range for inert gases is $< 55^{\circ}\text{C}$

Dimensions



Technical Data	IKR® 270, Metal Sealed, 40 CF-F
Accuracy: $1 \cdot 10^{-9} - 1 \cdot 10^{-3}$ hPa	± 30 %
Ambient temperature	5-55 °C 41-131 °F 278-328 K
Anode	Molybdenum
Bakeout temperature	electronic removed, ≤ 250 °C
Feature	Metal sealed
Feedthrough	Al ₂ O ₃
Flange, Material	Stainless steel
Measurement range	$5 \cdot 10^{-11} - 1 \cdot 10^{-2}$ hPa
Nominal diameter	DN 40 CF-F
Output signal: Measurement range	1.96 – 8.6 V
Output signal: Minimum load	10 kΩ
Pressure max.	1000 kPa
Repeatability: $1 \cdot 10^{-9} - 1 \cdot 10^{-3}$ hPa	± 5 %
Seal	Ag
Sensor cable length min.	500 m
Supply: Power consumption max.	2 W
Supply: Voltage V DC	15 – 30 V DC
Temperature: Storage	-40-65 °C -40-149 °F 233-338 K
Volume	20 cm ³
Weight	950 g

Order number	
IKR 270	PT R21 251

Accessories	
Adapters (electrical) Adapter Measurement	
Mating connector	B 4707 283 MA
Cables Measurement cables	
Measurement cable, 3 m	PT 448 250 -T
Protection Magnetic shield	
Magnetic shield for IKR and PKR 2xx	PT 443 155 -X

VACUUM SOLUTIONS FROM A SINGLE SOURCE

Pfeiffer Vacuum stands for innovative and custom vacuum solutions worldwide, technological perfection, competent advice and reliable service.

COMPLETE RANGE OF PRODUCTS

From a single component to complex systems:

We are the only supplier of vacuum technology that provides a complete product portfolio.

COMPETENCE IN THEORY AND PRACTICE

Benefit from our know-how and our portfolio of training opportunities!

We support you with your plant layout and provide first-class on-site service worldwide.

Are you looking for a
perfect vacuum solution?
Please contact us:

Pfeiffer Vacuum GmbH
Headquarters · Germany
T +49 6441 802-0
info@pfeiffer-vacuum.de

www.pfeiffer-vacuum.com

All data subject to change without prior notice.

PFEIFFER  **VACUUM**