



**ASM 392, universal voltage,
configurable I/O interface board,
exhaust DN 25 ISO-KF**

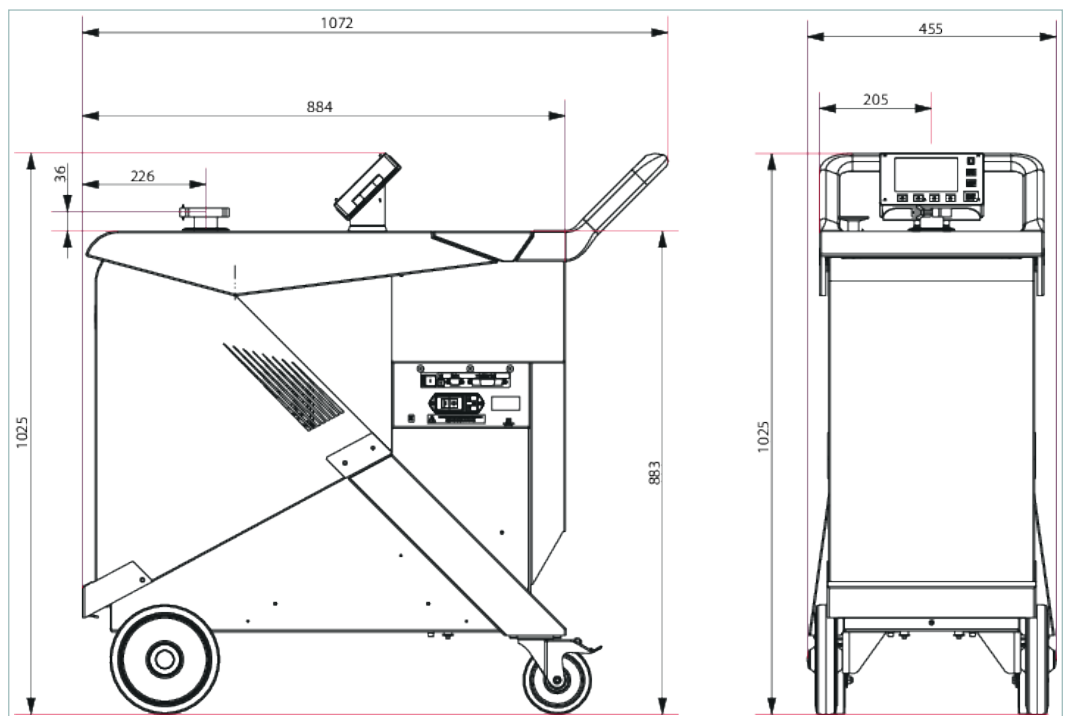


Similar Image

ASM 392, universal voltage, configurable I/O interface board, exhaust DN 25 ISO-KF

- Dry and clean pump with high backing capacity (35 m³/h)
- Special pump architecture to deliver high helium pumping speed and extremely fast response time
- High maneuverability and compact design
- Large color touch screen, fully rotatable and detachable without any tool
- Integrated toolbox for storage of accessories
- Fully configurable I/O interface (37 pins D-Sub) to allow control through PCs/PLCs
- Connectable DN 25 exhaust for connection to a general Fab exhaust

Dimensions



Technical Data	ASM 392, universal voltage, configurable I/O interface board, exhaust DN 25 ISO-KF
Backing pump	with oil free backing pump
Backing pump capacity	35 m ³ /h 20.6 cfm 583.33 l/min
Detectable gases	⁴ He, ³ He, H ₂
Dimensions (L x W x H)	1,072 x 455 x 1,025 mm 42.2 x 17.91 x 40.35 inch
Exhaust connector	DN 25 ISO-KF
Flange (in)	DN 40 ISO-KF
I/O interfaces	Configurable 37 pins I/O
Minimum detectable leak rate for helium (sniffing leak detection)	1 · 10 ⁻⁹ Pa m ³ /s 7.5 · 10 ⁻⁹ Torr l/s 1 · 10 ⁻⁸ mbar l/s
Minimum detectable leak rate for helium (vacuum leak detection)	1 · 10 ⁻¹³ Pa m ³ /s
Noise level	55 dB(A)
Power consumption	800 W
Power consumption max.	1600 W
Pumping speed for He	25 l/s

Technical Data	ASM 392, universal voltage, configurable I/O interface board, exhaust DN 25 ISO-KF
Sound pressure level	55 dB(A)
Start-up time (20°C)	2 min
Supply	100 – 240 V, 50/60 Hz
Test method	Vacuum and sniffing leak detection
Type	High performance - mobile
User interface	Graphic color touch screen (detachable)
Weight	130 kg 286.6 lb

Order number	
ASM 392	ESGB02G2MM9B

Accessories	
Caps/Clamps Locking clamps	
Locking clamp, DN 40 KF	118801
Control Devices Remote controls	
Remote control, leak rate in mbar l/s, legend in English	106688
Remote control, leak rate in Pa m ³ /s, legend in Japanese	106690
Remote control, leak rate in Pa m ³ /s, legend in English	108880
Remote control, leak rate in Torr l/s, legend in English	108881
Remote control RC 10, wired/wireless, for ASM and ASI leak detectors	124193
Mounting Bottle holders	
Bottle holder for ASM 390 - ASM 392	126561
Protection Inlet filters	
Inlet filter, 20 µm, DN 40/40 ISO-KF	105842
Sniffing Helium pistols/ spray guns	
Helium spray gun "Elite-Kit", spray gun with additional accessories in a compact case	109951
Helium spray gun, standard	112535
Sniffing Sniffer probes	
Sniffer probe, 5 m hose length, rigid 9 cm nozzle	SNC1E1T1

VACUUM SOLUTIONS FROM A SINGLE SOURCE

Pfeiffer Vacuum stands for innovative and custom vacuum solutions worldwide, technological perfection, competent advice and reliable service.

COMPLETE RANGE OF PRODUCTS

From a single component to complex systems:

We are the only supplier of vacuum technology that provides a complete product portfolio.

COMPETENCE IN THEORY AND PRACTICE

Benefit from our know-how and our portfolio of training opportunities!

We support you with your plant layout and provide first-class on-site service worldwide.

Are you looking for a
perfect vacuum solution?
Please contact us:

Pfeiffer Vacuum GmbH
Headquarters · Germany
T +49 6441 802-0
info@pfeiffer-vacuum.de

www.pfeiffer-vacuum.com

All data subject to change without prior notice.

PFEIFFER  **VACUUM**