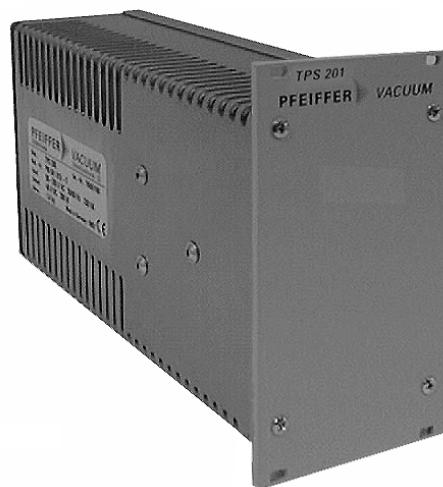


Power Unit



TPS 100 – 600

TPS 101 – 601

Index

	Page
1. Safety Instructions	2
1.1. For Your Orientation.....	2
1.2. Pictogram Definitions.....	2
2. Understanding The Power Units	3
2.1. Main Features.....	3
3. Installation.....	4
3.1. Connection To The Mains.....	4
3.2. Assembly	4
4. Maintenance/Service	5
5. Technical Data	5
5.1. Dimensions.....	6
Manufacturer's Declaration..... (last page)	

Please note: Current operating instructions are available via www.pfeiffer-vacuum.de/Infoservice.

1. Safety Instructions

- ☞ Read and follow all instructions in this manual.
- ☞ Inform yourself regarding:
 - Hazards which can be caused by the power unit;
 - Hazards which can be caused by your system.
- ☞ Observe the safety and accident prevention regulations.
- ☞ Regularly check that all accident prevention measures are being complied with.
- ☞ Do not carry out any unauthorised conversions or alterations to the power unit.
- ☞ The TPS 300/301 and TPS 600/601 Power Unit output voltages are dangerous to touch. Only use original connecting cable for connection to the TC. The power unit is designed according to protection class I. It must have a connection with advanced earthed conductor contact (PE).
- ☞ When returning the power unit please note the shipping instructions in Section 4.

1.1. For Your Orientation

Instruction in the text

- ➔ Working instruction: Here, you have to do something.

Abbreviations used

DCU	=	Display Control Unit
TC	=	Electronic drive unit, turbopump
TPS	=	Power Unit

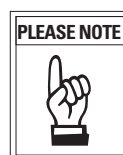
1.2. Pictogram Definitions



Danger of personal injury.



Danger of damage to the power unit or to the system.

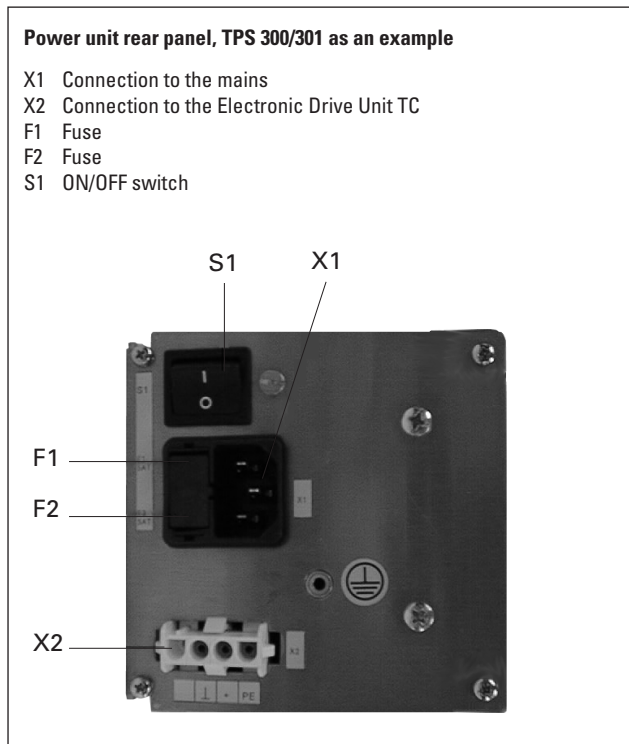


Attention to particularly important information on the product, handling the product or to a particular part of the documentation.

Modifications reserved.

2. Understanding The Power Units

2.1. Main Features



Power units are used to supply voltage to PFEIFFER turbomolecular pumps with integrated Electronic Drive Units TC.

The output voltage is safely separated from the mains voltage in compliance with the European Industrial Standard EN 60 742.

Power units are available in the following versions:

- For wall and standard runner fitting (TPS 100, 150, 200, 300, 600)
- As a 19" insert unit (TPS 101, 201, 301, 601)
- As a 19" insert unit with the Display Control Unit [DCU] (please see separate Operating Instructions PM 800 477 BN for the DCU)

Power Units for wall and standard runner fitting	Order Number
TPS 100	PM 041 827 -T
TPS 150	PM 051 108 -T
TPS 200	PM 041 813 -T
TPS 300	PM 041 814 -T
TPS 600	PM 041 815 -T
Power Units as a 19" insert unit	
TPS 101	PM 041 828 -T
TPS 201	PM 041 819 -T
TPS 301	PM 041 820 -T
TPS 601	PM 041 821 -T

Mains voltage is supplied via a mains cable with the following optional plugs:

Mains cable	Order number
Schuko plug (230 V)	P 4564 309 ZA
UL-plug (208 V)	P 4564 309 ZF
UL-plug (115 V)	P 4564 309 ZE

Proper use

- Power units may only be used to supply voltage to PFEIFFER turbomolecular drag pumps integrated with Electronic Drive Units TC.
- Only those versions of the power unit listed here may be used.
- Power units may only be used under the operating conditions set out in Section 5. Technical Data.

Improper use

The following is regarded, inter alia, as improper:

- The use for purposes not covered above, in particular:
 - For connection to pumps and units which, according to their operating instructions, do not provide for such connection;
 - For connection to units where touchable, voltage carrying parts are involved.

Improper use will cause all claims for liability and guarantees to be forfeited.

3. Installation

3.1. Connection To The Mains



Do not carry out any unauthorised conversions or alterations to the power unit.



The power unit should be connected to the mains in accordance with local regulations. Please refer to the technical data for the connection voltage ranges of the individual units. Protection type IP 20 applies to the units.

- ➔ Plug mains connection cable into mains connection X1 (please see 2.1.).

3.2. Assembly

Fitting the TPS to walls

- ➔ Screw wall attachment plate 105a to the side panel of the TPS with the set of screws 105d provided.
- ➔ Secure the power unit to the wall (for dimensions please see 5.1.).
- ➔ Ensure adequate air circulation.

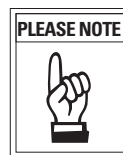
Fitting the TPS to standard runners

- ➔ Screw the standard runner clamping part 105c (included) to wall attachment plate 105a.
- ➔ Screw the wall attachment plate to the side panel of the TPS.



Do not use screws longer than 105d for wall and standard runner fitting on account of the danger of short circuits.

Inserting into a 19"/3HE rack



When fitting, free circulation must be ensured. The minimum distance to the cooling openings above and below is ≥ 50 mm.

Power Units TPS 101, TPS 201 and TPS 301

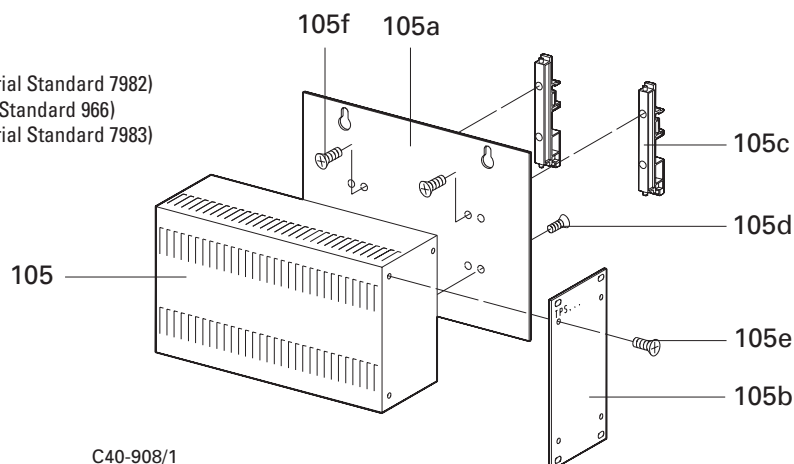
- ➔ Unscrew the two screws from the front of the Power Unit TPS.
- ➔ Screw front panel 105b to the power unit using screws 105e provided.
- ➔ Insert the power unit into the rack and secure.

Power Unit TPS 601

- ➔ Insert the Power Unit TPS 601 into the rack and secure.

Installing the power units

105	Power Unit TPS
105a	Wall attachment plate
105b	Front panel
105c	Standard runner holder
105d	Screw (M2.9 x 6.5; German Industrial Standard 7982)
105e	Screw (M3 x 8; German Industrial Standard 966)
105f	Screw (M2.2 x 6.5; German Industrial Standard 7983)



4. Maintenance/Service

No maintenance is required on the power unit.



No liability for personal injury nor material damage will be accepted for damages and operational interruptions which have been caused by improper maintenance; in addition, all guarantees become invalid.

Do make use of our service facilities

In the event that repairs are necessary to your power unit, a number of options are available to you to ensure any system down time is kept to a minimum:

- Return the unit to the manufacturer for repairs.
- Replace the unit with a new value exchange unit.

Local PFEIFFER representatives can provide full details.



Repair orders are carried out according to our general conditions of sale and supply. If repairs are necessary, please send the pump to your nearest PFEIFFER Service Center.

Contact addresses and telephone hotline

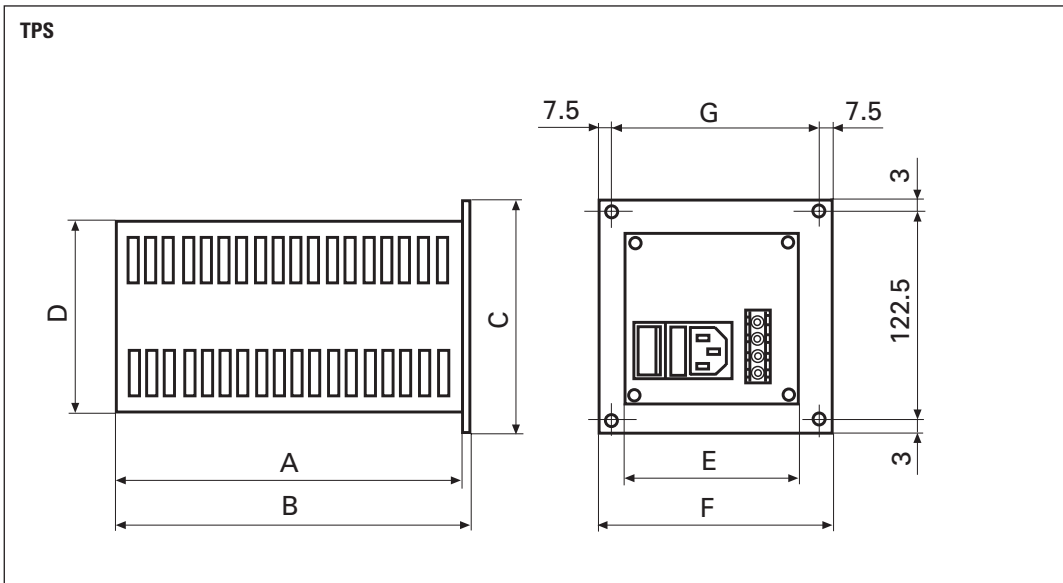
Contact addresses and telephone numbers can be found on the back cover of these operating instructions.

5. Technical Data

Feature	Unit	TPS 100/101	TPS 150	TPS 200/201	TPS 300/301	TPS 600/601
Connection voltage	VAC	90-132 185-265	90-132 185-265	90-132 185-265	90-132 185-265	90-132 185-265
Frequency	Hz	50-60	50-60	50-60	50-60	50-60
Max. power consumption.	VA	125	170	230	330	590 900
Protection class ¹⁾		I	I	I	I	I
Output voltage	VDC	24	24	48	72	140
Continuous-/max. output current	A	4.1/4.6	5/6.2	4.1/4.6	4.1/4.6	3.8/4.4 5.8/6.6
Continuous-/max. output power	W	100/110	120/150	200/220	230/300	530/616 812/924
Permissible ambient temperature	°C	5-40	5-40	5-40	5-40	5-40
Relative humidity, max.						
at 35 °C	%	80	80	80	80	80
at 40 °C	%	50	50	50	50	50
Protection class		IP 20	IP 20	IP 20	IP 20	IP 20
Fuse 5 x 20 mm	A	T2	T4	T4	T5	F10
Weight	kg	1.2	1.4	1.4	1.7	2.5

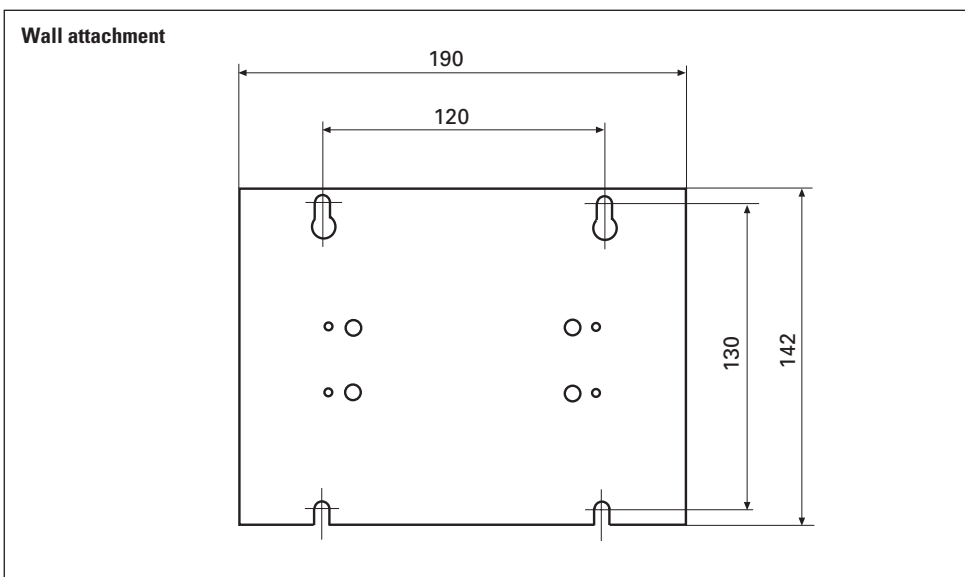
¹⁾ Mains with earthed conductor

5.1. Dimensions



Power unit	Dimensions (mm)						
	A	B	C	D	E	F	G
TPS 100/101	190	192,5	128,5	106	46	50,5 (10 TE) ²⁾	35,5
TPS 150	190	192,5	128,5	106	68	70,8 (14 TE) ²⁾	55,9
TPS 200/201	190	192,5	128,5	106	68	70,8 (14 TE) ²⁾	55,9
TPS 300/301	190	192,5	128,5	106	105	106,3 (21 TE) ²⁾	91,4
TPS 600/601	229	229	128,5	111	140,5	141,9 (28 TE) ²⁾	127

2) TE = Rack design partitions, 19" German Industrial Standard DIN 41 488 is divided into 84 partitions.



Herstellereklärung **Manufacturer's Declaration**

im Sinne folgender EU-Richtlinien:
pursuant to the following EU directives:

- **Maschinen/Machinery 98/37/EG**
- **Elektromagnetische Verträglichkeit/Electromagnetic Compatibility 89/336/EWG**
- **Niederspannung/Low Voltage 73/23/EWG**

Hiermit erklären wir, daß das unten aufgeführte Produkt zum Einbau in eine Maschine bestimmt ist und daß deren Inbetriebnahme so lange untersagt ist, bis festgestellt wurde, daß das Endprodukt den Bestimmungen der EU-Richtlinie 98/37/EG, Anhang II B entspricht.

Wir bestätigen Konformität mit der EU-Richtlinie über elektromagnetische Verträglichkeit 89/336/EWG und der EU-Niederspannungsrichtlinie 73/23/EWG.

We hereby certify that the product specified below is intended for installation in a machine which is forbidden to be put into operation until such time as it has been determined that the end product is in accordance with the provision of EU Directive 98/37/EEC, Annex II B.

We certify conformity with EU Electromagnetic Compatibility Directive 89/336/EEC and EU Low Voltage Directive 73/23/EEC.

Produkt/Product:

TPS 100 – 600

TPS 101 – 601

Angewendete Richtlinien, harmonisierte Normen und angewendete, nationale Normen:

Guidelines, harmonised standards, national standards in which have been applied:

**EN 60742, EN 61010, EN 55011, EN 50081-1, EN 50082-2,
IEC 801 1-4, VDE 0843-6**

Unterschrift/Signature:



Pfeiffer-Vacuum GmbH
Emmeliusstrasse 33
35614 Asslar
Germany

(W. Dondorf)
Geschäftsführer
Managing Director

Adressen • Addresses

Argentina

ARO S.A., Av. Belgrano 369,
1092 Buenos Aires, telephone +54 / 11 4331 5766,
telefax +54 / 11 4331 3572

Australia

Sciteck Australia Pty. Ltd., Suite 1B,
10-18 Cliff Street, Milsons Point, NSW 2061,
telephone +61 / 2 9954 1925, telefax +61 / 2 9954 1939

Austria

Pfeiffer Vacuum Austria GmbH
Diefenbachgasse 35, A-1150 Wien,
telephone +43 / 1 8941 704, telefax +43 / 1 8941 707
Service Hotline: +43 / 1 8941704

Branch Office, Czech Republic

Pfeiffer Vacuum Austria GmbH, Branch Prague
Zvonarska 885
CZ-156 00 Praha 5
telephone +420/2 900 42981, telefax +420/2 579 23014

Belgium / Luxemburg

Pfeiffer Vacuum Belgium N.V./S.A.
Luxemburgstraat 5, B-9140 Temse
telephone +32 / 3 710 5920, telefax +32 / 3 710 5929
Service Hotline: +32 / 3 710 5922

Brazil

Elmi Tec
Assistencia Técnica e Representação S/C Ltda.
Rua Bernadino de Compos, 551-Brooklin
CEP 04620-002 São Paulo, SP - Brasil
telephone +55 / 11 5532 0740, telefax +55 / 11 5535 3598

Chile

BERMAT S.A., Coyancura 2283, Oficina 601
Providencia, P.O. Box 9781, Santiago
telephone +56 / 2 231 8877, telefax +56 / 2 231 4294

Colombia

Arotec Colombiana S.A., Carrera 16 No. 36-89
P.O. Box 050 862, Santafe de Bogota / D.C.
telephone +57 / 1 288 7799, telefax +57 / 1 285 3604

Denmark

Pfeiffer Vacuum Scandinavia AB, Vesterengen 2,
DK-2630 Taastrup,
telephone +45 / 43 52 38 00, telefax +45 / 43 52 38 50

France

Pfeiffer Vacuum France SAS
45, rue Senouque, BP 139
F-78531 BUC Cedex
telephone +33 / (0)1 30 83 04 00,
telefax +33 / (0)1 30 83 04 04

Germany

Pfeiffer Vacuum GmbH,
Berliner Strasse 43, D-35614 Asslar
telephone +49 / 6441 802 400, telefax +49 / 6441 802 399
Service Hotline: +49 / 6441 802 333

Great Britain

Pfeiffer Vacuum Ltd.
2-4 Cromwell Business Centre
Howard Way, Interchange Park
Newport Pagnell, MK16 9QS, United Kingdom
telephone +44 / 1 908 500615, telefax +44 / 1 908 500616

Greece

Analytical Instruments S.A., 1 Mantzarou St.,
GR-15451 Athens,
telephone +30 / 10 674 8973-7, telefax +30 / 10 674 8978

Hong Kong

Pfeiffer Vacuum Asia Ltd.
Units 06-07, 17/F, Workingfield Commercial Building,
408-412 Jaffe Road, Hong Kong
telephone +852 2575 6688, telefax +852 2575 6993

India

Pfeiffer Vacuum India Ltd.
25-E Nicholson Road, Tarbund
Secunderabad 500 009,
telephone +91 / 40 775 0014, telefax +91 / 40 775 7774

Israel

ODEM Scientific Applications Ltd.
9 Hamazmera St., P.O.B. 2001 Nes Ziona
telephone +972 8 938 0333, telefax +972 8 938 0334

Italy

Pfeiffer Vacuum Italia S.p.a.
Via San Martino, 44 I-20017 RHO (Milano)
telephone +39 / 2 93 99 051, telefax +39 / 2 93 99 05 33

Japan

Hakuto Co. Ltd., C.P.O. Box 25,
Vacuum Scientific Instruments Division
C.P.O. Box 25, Tokyo 100-91
telephone +81 / 3 32 258 910, telefax +81 / 3 32 259 011

Korea

Pfeiffer Vacuum Korea Ltd.,
703 Ho, 853-1, Hankuk Mulru, Dongchonri, Suzi-Eup,
449-843 Yong-in City, Kyungkido
telephone +82 / 31 266 0741, telefax +82 / 31 266 0747

Netherlands

Pfeiffer Vacuum Nederland BV
Veldzigt 30a, NL-3454 PV De Meern,
telephone +31 / 30 6666050, telefax +31 / 30 6662794

Peru

Ing. E. Brammertz s.r.l., José Pardo 182,
Apartado 173, PE-18 Miraflores,
telephone +51 / 1 445 8178, telefax +51 / 1 445-1931

Poland

Softrade Sp.z.o.o, ul. Grunwaldzka 391,
PL-60-173 Poznan, telephone +48 / 61 8677 168,
telefax +48 / 61 8677 111

Portugal

Unilaser Lda, Taguspark
Núcleo Central, sala n° 268, Estrada Cacém-
Porto Salvo, P-2780 Oeiras
telephone +351 / 1 421 7733, telefax +351 / 1 421 7744

Singapore

APP Systems Services Pte. Ltd, 2 Corporation Road
06-14 Corporation Place, Singapore 618494,
telephone +65 / 268 2024, telefax +65 / 268 6621

Spain

Tecnovac
Tecnología de Vacío S.L., Ronda de Poniente,
6 Bajo F, Centro Empresarial Euronova,
E-28760 Tres Cantos (Madrid)
telephone +34 / 91 804 11 34, telefax +34 / 91 804 30 91

Sweden

Pfeiffer Vacuum Scandinavia AB
Johanneslundsvägen 3
S-194 61 Upplands Väsby
telephone +46 / 8 590 748 10, telefax +46 / 8 590 748 88

Switzerland

Pfeiffer Vacuum Schweiz S.A.
Förribuckstraße 30, CH-8005 Zürich
telephone +41 / 1 444 2255, telefax +41 / 1 444 2266

South Africa

Labotec Pty Ltd., P.O. Box 6553,
Halfway House
1685 Midrand
telephone +27 / 11 315 5434, telefax +27 / 11 315 5882

Taiwan

HAKUTO Taiwan Ltd. Hsinchu office No. 103,
Hsien Chen 11th Street, Chupei,
HsinChu County, Taiwan, R.O.C.
(zip/postal code: 302)
telephone +886 / 3 554 1020, telefax +886 / 3 554 0867

Thailand

Hakuto (Thailand) Ltd.
18th Floor, Chokchai Int'l Bldg.
690 Sukhumvit Road
Klongton, Klongtoey
Bangkok 10110
telephone +662 / 259 6244, telefax +662 / 259 6243

U.S.A.

Pfeiffer Vacuum, Inc.
24 Trafalgar Square
Nashua, NH 03063-1988
USA
telephone +1 / 603 578 6500, telefax +1 / 603 578 6550

Venezuela

Secotec S.A., Apartado 3452, Caracas 1010-A,
telephone +58 / 212 573 8687, telefax +58 / 212 573 1932

Other countries

AVI - Applied Vacuum Industries GmbH
Leginglenstrasse 17A; CH-7320 Sargans
Switzerland
telephone +41 / 81 710 03 80
telefax +41 / 81 710 03 81

Scope of represented countries

Armenia, Azerbaijan, Bangladesh, Belarus, Bulgaria,
Cambodia, Estonia, Georgia, Kazakhstan, Kingdom of Nepal,
Kirghizia, Latvia, Lithuania, Maldavia, Philippines, P.R. China,
Rumania, Russia, Tajikistan, Turkmenistan, Ukraine,
Uzbekistan, Vietnam

A.E.M.S.

Advanced Equipment Materials and Systems
P.O. Box 25
Föhrenweg 18
FL-9496 Balzers
telephone +423 / 380 0550
telefax +423 / 380 0551

Scope of represented countries

Bahrain, Egypt, Iraq, Iran, Jordan, Kuwait, Lebanon, Lybia,
Oman, Pakistan, Saudi-Arabia, Sudan, Syria, Turkey, United
Arab Emirates, Yemen

Zentrale/Headquarters

Pfeiffer Vacuum GmbH

Berliner Str. 43
D-35614 Asslar

Telefon 06441/802-0
Telefax 06441/802-202
Hotline 06441/802-333
www.pfeiffer-vacuum.de

PFEIFFER  **VACUUM**