

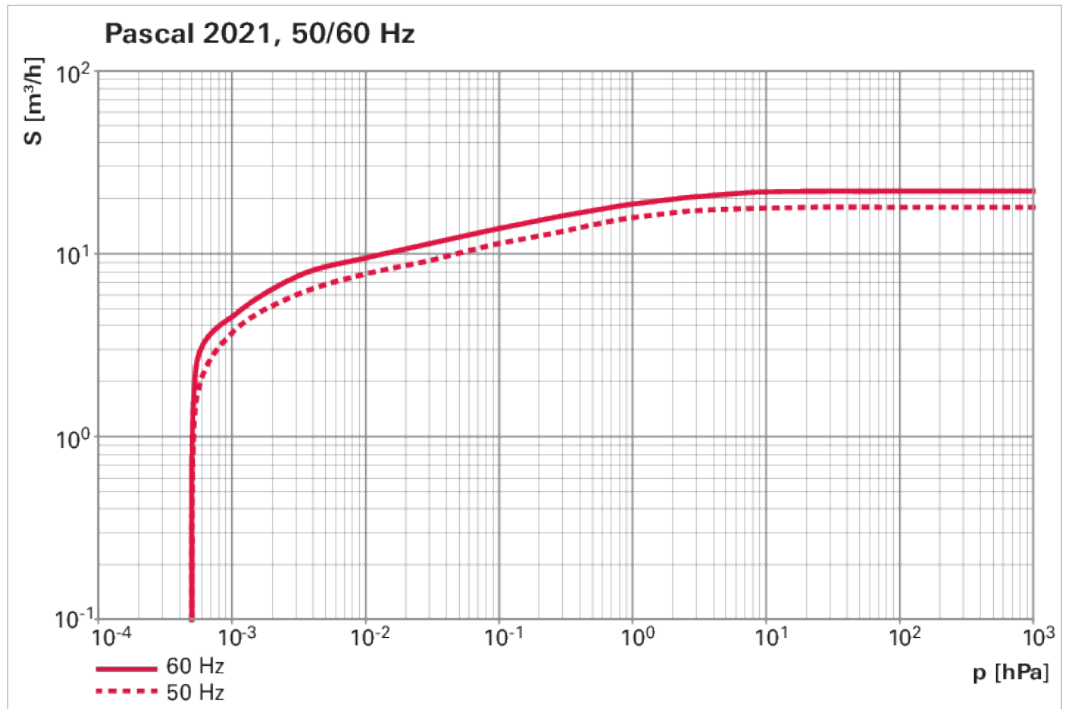
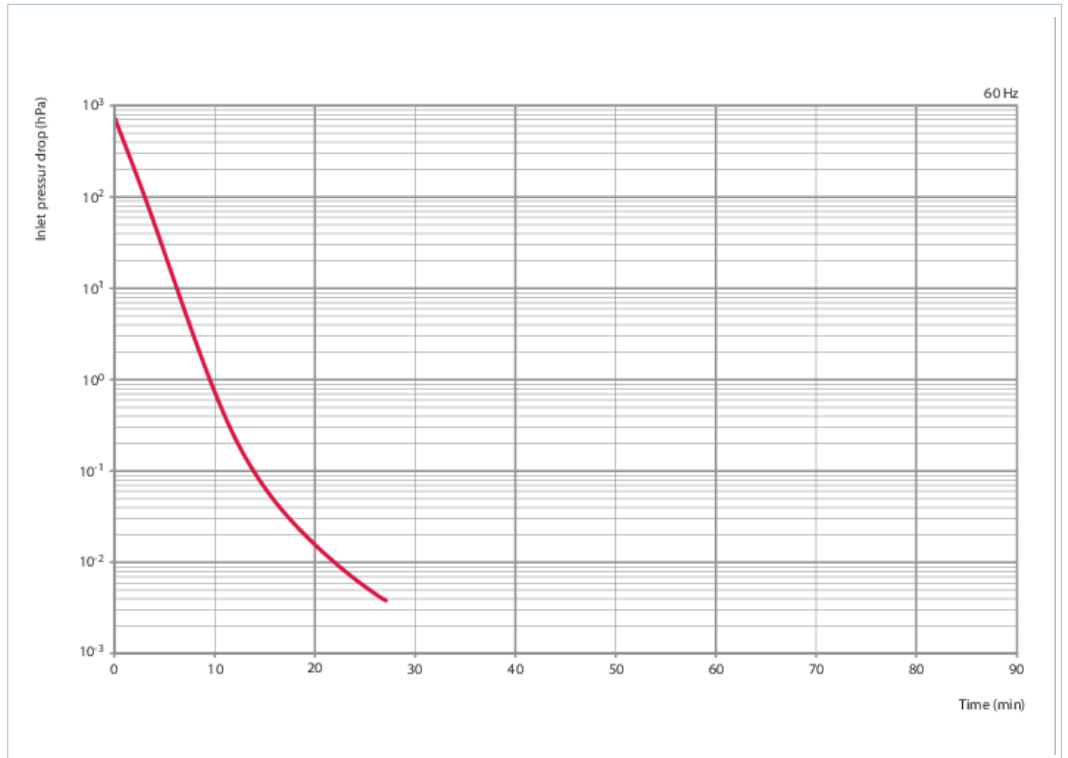


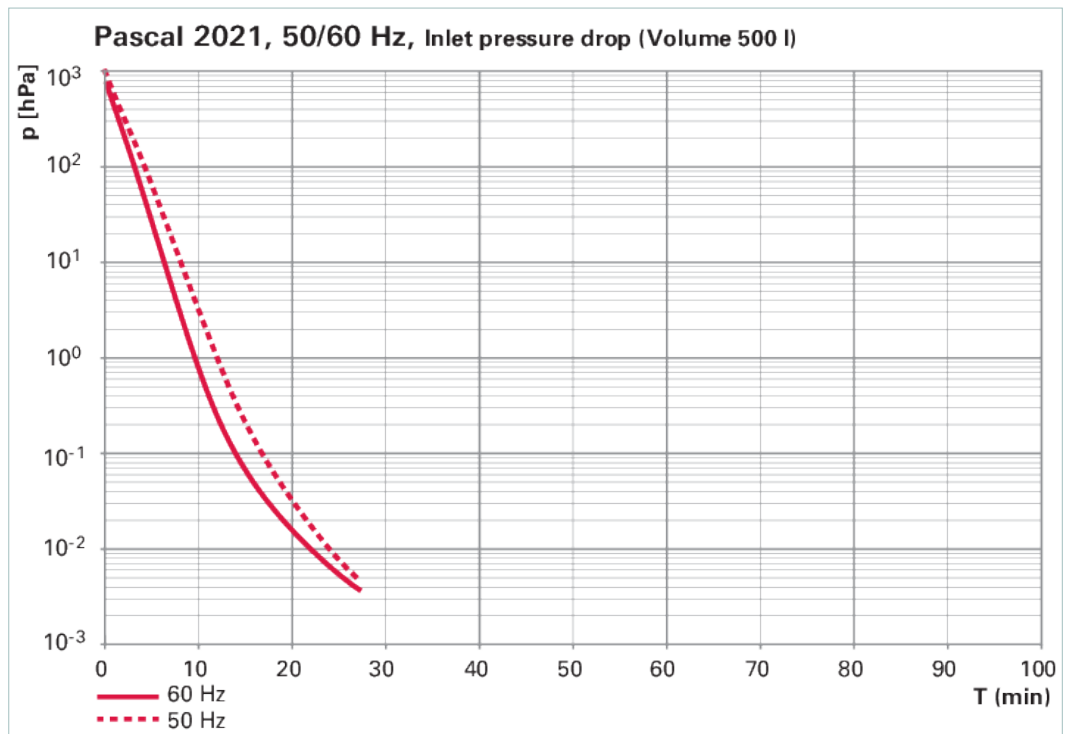
**Pascal 2021, HW version, 1-phase  
motor, 90–132 V, 50/60 Hz,  
CE/UL/CSA**



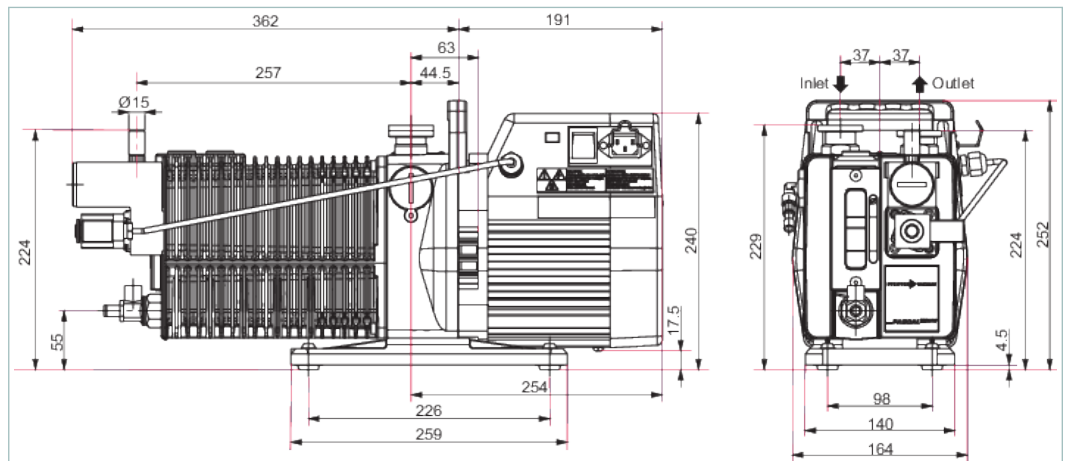
Similar Image

**Pascal 221, HW version, 1-phase motor, 90–132 V, 50/60 Hz, CE/UL/CSA**





**Dimensions**



| Technical Data                     | Pascal 2021, HW version, 1-phase motor, 90–132 V, 50/60 Hz, CE/UL/CSA               |
|------------------------------------|---|
| Connection flange (in)             | DN 25 ISO-KF  |
| Connection flange (out)            | DN 25 ISO-KF  |
| Pumping speed at 50 Hz             | 18 m <sup>3</sup> /h   10.59 cfm   300 l/min  |
| Pumping speed at 60 Hz             | 22 m <sup>3</sup> /h   12.95 cfm   366.67 l/min                                     |
| Final pressure with gas ballast    | 1 · 10 <sup>-2</sup> hPa   7.5 · 10 <sup>-3</sup> Torr   1 · 10 <sup>-2</sup> mbar  |
| Final pressure without gas ballast | 5 · 10 <sup>-4</sup> hPa   3.75 · 10 <sup>-4</sup> Torr   5 · 10 <sup>-4</sup> mbar |
| Water vapor capacity 50 Hz         | 380 g/h   |
| Water vapor capacity 60 Hz         | 380 g/h   |
| Water vapor tolerance at 50 Hz     | 30 hPa   22.5 Torr   30 mbar  |
| Water vapor tolerance at 60 Hz     | 30 hPa   22.5 Torr   30 mbar  |
| Rotation speed at 50 Hz            | 1,500 rpm   1,500 min <sup>-1</sup>   |
| Rotation speed at 60 Hz            | 1,800 rpm   1,800 min <sup>-1</sup>   |
| Motor type                         | 1-ph motor  |
| Ambient temperature                | 12-45 °C   53.6-113 °F   285-318 K  |

| <b>Technical Data</b>                                      |  | <b>Pascal 2021, HW version, 1-phase motor, 90–132 V, 50/60 Hz, CE/UL/CSA</b> |
|--|--|--|
| Emission sound pressure level without gas ballast at 50 Hz |  | 55 dB(A)   |
| Mains connection   |  | 90 – 132 (±10%) V AC 50/60 Hz  |
| Operating fluid  |  | Mineral oil  |
| Operating fluid amount                                     |  | 0.98 l   |
| Dimensions (L x W x H)                                     |  | 553 x 164 x 252 mm   21.77 x 6.46 x 9.92 inch                                |
| Rated power 50 Hz  |  | 0.45 kW  |
| Rated power 60 Hz  |  | 0.45 kW  |
| Protection degree  |  | IP 43  |
| Weight   |  | 28 kg   61.73 lb   |

| <b>Order number</b>     |                  |
|-------------------------|------------------|
| Pascal 2021, HW Version | <b>221HWALZT</b> |

| <b>Accessories</b>   |                        |
|--|------------------------|
| <b>Operating Fluids Synthetic oil</b>  |                        |
| A400, 1 l  | <b>125895</b>          |
| <b>Other</b>   |                        |
| Cold Trap, LN2, angled, DN 25 ISO-KF, 4" body, stainless steel / FPM         | <b>FTNA-4-1002-NWB</b> |
| <b>Protection Condensate separators</b>                                      |                        |
| KAS 25 L, condensate separator for pumping speeds up to 35 m <sup>3</sup> /h | <b>PK Z10 033</b>      |
| <b>Protection Oil filters</b>  |                        |
| External Oil Filter DE 1, 230 V, 50 Hz                                       | <b>068990</b>          |
| External Oil Filter DE 1, 110 V  | <b>068991</b>          |
| <b>Protection Oil mist eliminators</b>                                       |                        |
| Oil mist separator OME 25 HP+  | <b>108341</b>          |

## **VACUUM SOLUTIONS FROM A SINGLE SOURCE**

Pfeiffer Vacuum stands for innovative and custom vacuum solutions worldwide, technological perfection, competent advice and reliable service.

## **COMPLETE RANGE OF PRODUCTS**

From a single component to complex systems:

We are the only supplier of vacuum technology that provides a complete product portfolio.

## **COMPETENCE IN THEORY AND PRACTICE**

Benefit from our know-how and our portfolio of training opportunities!

We support you with your plant layout and provide first-class on-site service worldwide.

Are you looking for a  
perfect vacuum solution?  
Please contact us:

**Pfeiffer Vacuum GmbH**  
Headquarters · Germany  
T +49 6441 802-0  
info@pfeiffer-vacuum.de

[www.pfeiffer-vacuum.com](http://www.pfeiffer-vacuum.com)

All data subject to change without prior notice.

**PFEIFFER**  **VACUUM**