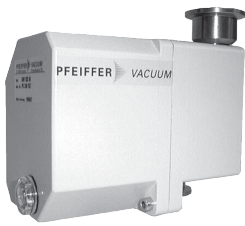


**KAS 25 L, condensate separator
for pumping speeds up to 35 m³/h**

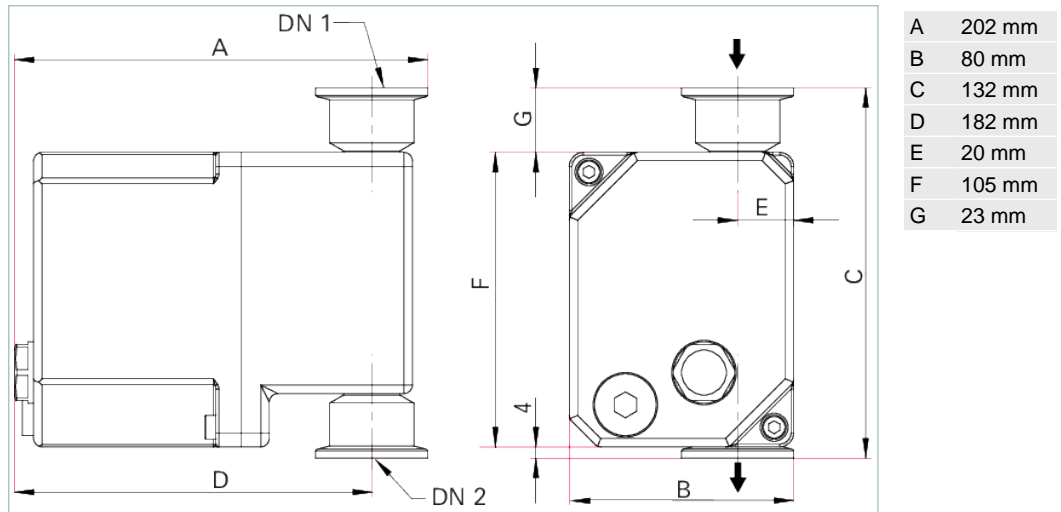


Similar Image

KAS 25 L, condensate separator for pumping speeds up to 35 m³/h

- Protects the rotary vane pump against sucked in liquids and condensate return
- For intake and exhaust ports
- Customer benefit: Longer life time of operating fluid, no mixture with process liquid

Dimensions



Technical Data

KAS 25 L, condensate separator for pumping speeds up to 35 m³/h

Capacity	0.3 l
Connection flange (in)	DN 25 ISO-KF
Connection flange (out)	DN 25 ISO-KF
For pumping speed up to	35 m ³ /h 20.6 cfm 583.33 l/min
Leakage rate	< 1 · 10 ⁻⁶ Pa m ³ /s < 7.5 · 10 ⁻⁶ Torr l/s < 1 · 10 ⁻⁵ mbar l/s
Pressure max. (absolute)	1,500 hPa 1,125 Torr 1,500 mbar
Weight	1.5 kg 3.31 lb

Order number

KAS 25 L

PK Z10 033

VACUUM SOLUTIONS FROM A SINGLE SOURCE

Pfeiffer Vacuum stands for innovative and custom vacuum solutions worldwide, technological perfection, competent advice and reliable service.

COMPLETE RANGE OF PRODUCTS

From a single component to complex systems:

We are the only supplier of vacuum technology that provides a complete product portfolio.

COMPETENCE IN THEORY AND PRACTICE

Benefit from our know-how and our portfolio of training opportunities!

We support you with your plant layout and provide first-class on-site service worldwide.

Are you looking for a
perfect vacuum solution?
Please contact us:

Pfeiffer Vacuum GmbH
Headquarters · Germany
T +49 6441 802-0
info@pfeiffer-vacuum.de

www.pfeiffer-vacuum.com

All data subject to change without prior notice.

PFEIFFER  **VACUUM**