



**PrismaPro[®] QMG 250 F2, 1 – 200 u,
open ion source, yttriated iridium,
I/O-option: Standard**

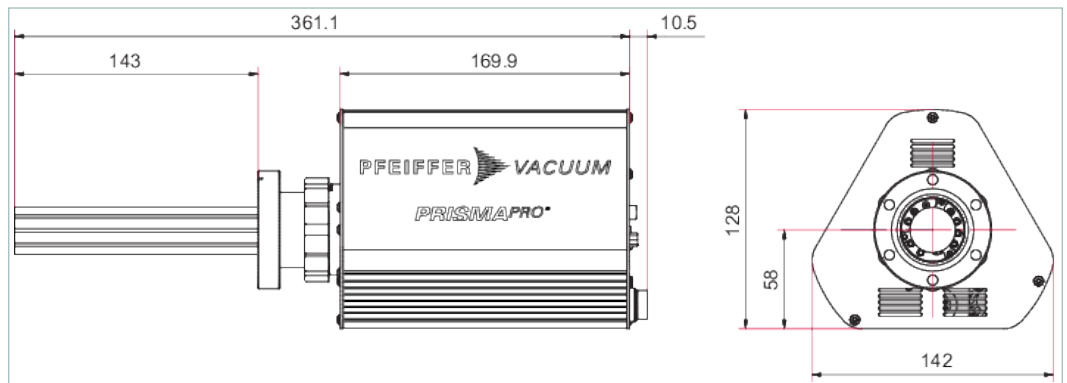


Similar Image

PrismaPro® QMG 250 F2, 1 – 200 u, open ion source, yttriated iridium, I/O-option: Standard

- PV MassSpec software for Windows 10, 8.1 & 7 for recording, saving and displaying measured data
- Leak detection and vacuum diagnosis with a click
- Easy definition of measurement recipes
- Low detection limit

Dimensions



Technical Data	PrismaPro® QMG 250 F2, 1 – 200 u, open ion source, yttriated iridium, I/O-option: Standard
Ambient temperature: analyzer	200 °C 392 °F 473 K
Ambient temperature: electronics	5-50 °C 41-122 °F 278-323 K
Bakeout temperature: analyzer	300 °C 572 °F 573 K
Connection	0°
Connection flange (in)	DN 40 CF-F
Contribution to neighboring mass: 40 to 41	20 ppm
Detection limit	$5 \cdot 10^{-13}$ hPa $3.75 \cdot 10^{-13}$ Torr $5 \cdot 10^{-13}$ mbar
Detector	Faraday
Filament	Iridium coated with Y_2O_3
I/O interfaces	Standard interface
Input: Analog	$1x \pm 10$ V / 12 Bit
Input: Digital	2x, 24 V
Ion source	Open, 2 filaments
Mass range	1 – 200 u
Measuring speed	1 ms/u - 16 s/u
Mounting orientation	Arbitrary
Operating pressure max.	5E-4 hPa
Peak ratio reproducibility	0.5 %
Relay: Number	1 Pcs.
Resolution, adjustable at 10 % peak height	0.5 – 2.5 u
Rod system: Diameter	6 mm 0.24 inch
Rod system: Length	125 mm 4.92 inch
Sensitivity for Ar	$4 \cdot 10^{-4}$ A/hPa
Supply: Voltage V AC	100 – 240 V AC
Temperature: Storage	-25-70 °C -13-158 °F 248-343 K
Weight	2.5 kg 5.51 lb

Order number

PrismaPro® QMG 250 F2

PT M15 212 210

VACUUM SOLUTIONS FROM A SINGLE SOURCE

Pfeiffer Vacuum stands for innovative and custom vacuum solutions worldwide, technological perfection, competent advice and reliable service.

COMPLETE RANGE OF PRODUCTS

From a single component to complex systems:

We are the only supplier of vacuum technology that provides a complete product portfolio.

COMPETENCE IN THEORY AND PRACTICE

Benefit from our know-how and our portfolio of training opportunities!

We support you with your plant layout and provide first-class on-site service worldwide.

Are you looking for a
perfect vacuum solution?
Please contact us:

Pfeiffer Vacuum GmbH
Headquarters · Germany
T +49 6441 802-0
info@pfeiffer-vacuum.de

www.pfeiffer-vacuum.com

All data subject to change without prior notice.

PFEIFFER  **VACUUM**