



**PrismaPro[®] QMG 250 M2, 1 – 200
u, open ion source, yttriated
iridium, I/O-option: Standard**

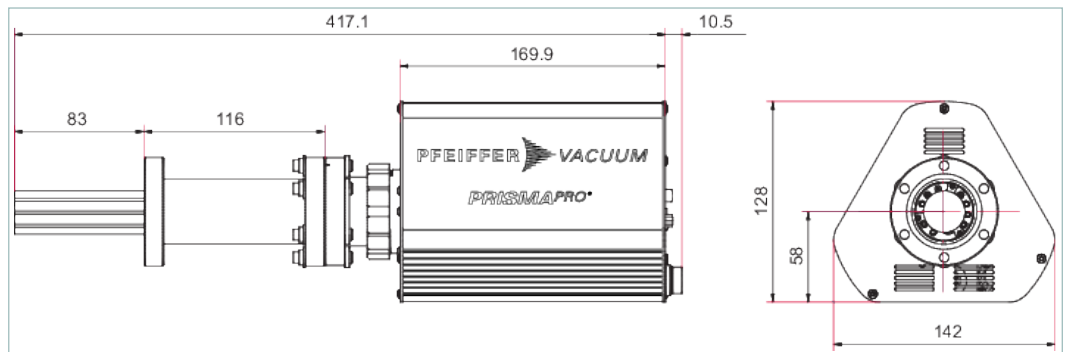


Similar Image

PrismaPro® QMG 250 M2, 1 – 200 u, open ion source, yttriated iridium, I/O-option: Standard

- PV MassSpec software for Windows 10, 8.1 & 7 for recording, saving and displaying measured data
- Leak detection and vacuum diagnosis with a click
- Easy definition of measurement recipes
- Low detection limit

Dimensions



| Technical Data | PrismaPro® QMG 250 M2, 1 – 200 u, open ion source, yttriated iridium, I/O-option: Standard |
|--|--|
| Ambient temperature: analyzer | 150 °C 302 °F 423 K |
| Ambient temperature: electronics | 5-50 °C 41-122 °F 278-323 K |
| Bakeout temperature: analyzer | 300 °C 572 °F 573 K |
| Connection | 0° |
| Connection flange (in) | DN 40 CF-F |
| Contribution to neighboring mass: 40 to 41 | 20 ppm |
| Detection limit min.: C-SEM (hPa) | $4 \cdot 10^{-15}$ hPa $3 \cdot 10^{-15}$ Torr $4 \cdot 10^{-15}$ mbar |
| Detector | C-SEM/Faraday |
| Filament | Iridium coated with Y_2O_3 |
| I/O interfaces | Standard interface |
| Input: Analog | $1x \pm 10$ V / 12 Bit |
| Input: Digital | 2x, 24 V |
| Ion source | Open, 2 filaments |
| Mass range | 1 – 200 u |
| Measuring speed | 1 ms/u - 16 s/u |
| Mounting orientation | Arbitrary |
| Operating pressure max.: C-SEM | $5 \cdot 10^{-5}$ hPa $3.75 \cdot 10^{-5}$ Torr $5 \cdot 10^{-5}$ mbar |
| Operating pressure max.: Faraday | $5 \cdot 10^{-4}$ hPa $3.75 \cdot 10^{-4}$ Torr $5 \cdot 10^{-4}$ mbar |
| Operating pressure max.: SEM | $5 \cdot 10^{-5}$ hPa $3.75 \cdot 10^{-5}$ Torr $5 \cdot 10^{-5}$ mbar |
| Peak ratio reproducibility | 0.5 % |
| Relay: Number | 1 Pcs. |
| Resolution, adjustable at 10 % peak height | 0.5 – 2.5 u |
| Rod system: Diameter | 6 mm 0.24 inch |
| Rod system: Length | 125 mm 4.92 inch |
| Sensitivity for Ar: Faraday | $4 \cdot 10^{-4}$ A/hPa |
| Supply: Voltage V AC | 100 – 240 V AC |
| Weight | 3.2 kg 7.05 lb |

Order number

PrismaPro® QMG 250 M2

PT M16 212 210

VACUUM SOLUTIONS FROM A SINGLE SOURCE

Pfeiffer Vacuum stands for innovative and custom vacuum solutions worldwide, technological perfection, competent advice and reliable service.

COMPLETE RANGE OF PRODUCTS

From a single component to complex systems:

We are the only supplier of vacuum technology that provides a complete product portfolio.

COMPETENCE IN THEORY AND PRACTICE

Benefit from our know-how and our portfolio of training opportunities!

We support you with your plant layout and provide first-class on-site service worldwide.

Are you looking for a
perfect vacuum solution?
Please contact us:

Pfeiffer Vacuum GmbH
Headquarters · Germany
T +49 6441 802-0
info@pfeiffer-vacuum.de

www.pfeiffer-vacuum.com

All data subject to change without prior notice.

PFEIFFER  **VACUUM**