



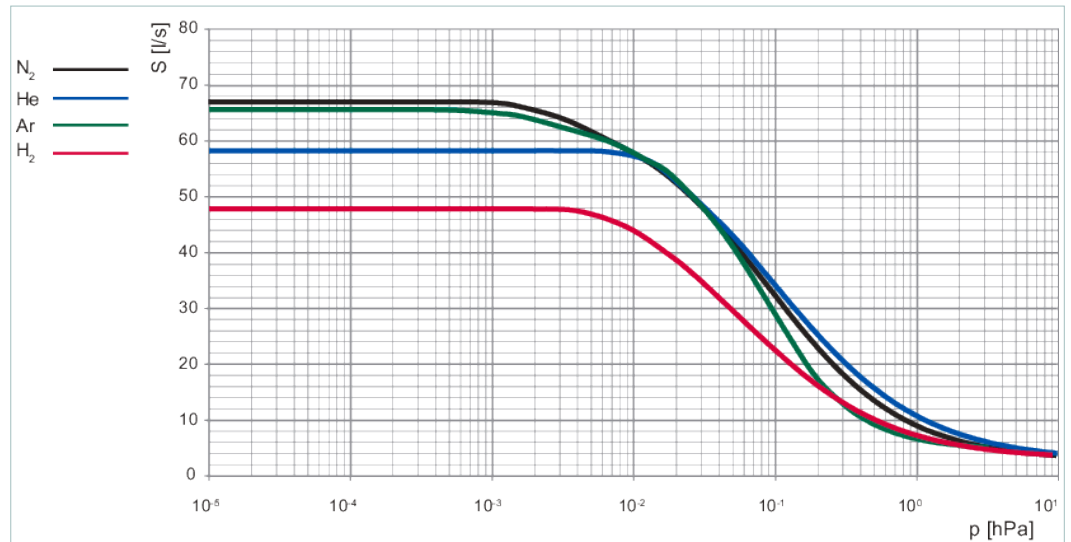
# HiPace<sup>®</sup> 80 Neo with TC 80, DN 63 CF-F



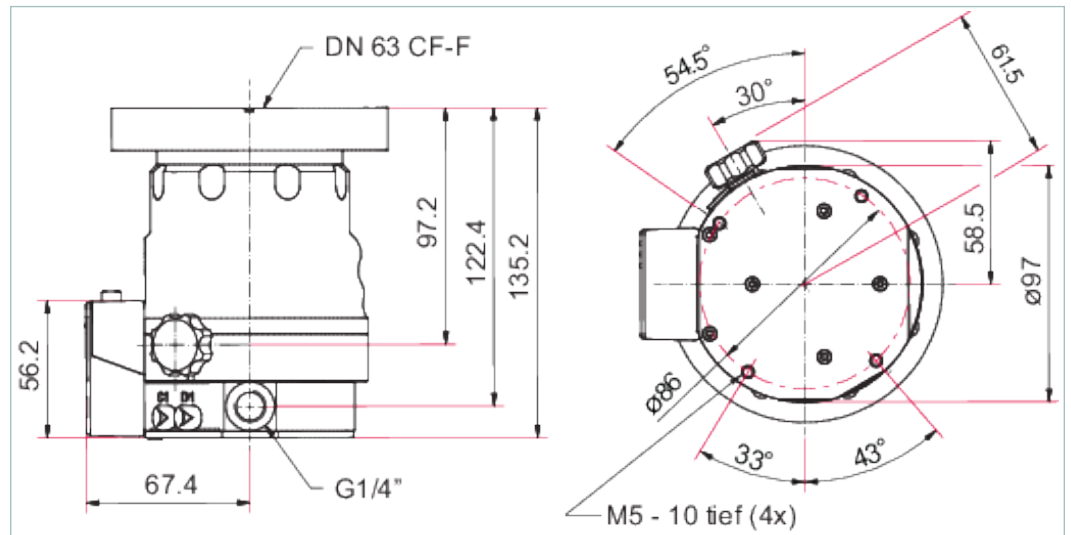
Similar Image

## HiPace® 80 Neo with TC 80, DN 63 CF-F

- Small yet powerful turbopump with a pumping speed of up to 67 l/s for N<sub>2</sub>
- Integrated TC 80 drive electronics
- For installation in any orientation
- Ideal for dependable systems integration
- Extensive accessories expand the range of applications



### Dimensions



Technical Data	HiPace® 80 Neo with TC 80, DN 63 CF-F
Bearing	Hybrid
Compression ratio for Ar	1 · 10 <sup>11</sup>
Compression ratio for H <sub>2</sub>	1.4 · 10 <sup>5</sup>
Compression ratio for He	1.3 · 10 <sup>7</sup>
Compression ratio for N <sub>2</sub>	1 · 10 <sup>11</sup>
Connection flange (in)	DN 63 CF-F
Connection flange (out)	G ¼"
Cooling method	Convection

Technical Data	HiPace® 80 Neo with TC 80, DN 63 CF-F
Cooling method, optional	Air Water
Cooling water flow	75 l/h
Cooling water flow, max.	75 l/h
Cooling water flow, min.	75 l/h
Cooling water temperature	5-25 °C   41-77 °F   278-298 K
Current, max.	5,6 A
Electronic drive unit	with TC 80
Final pressure without gas ballast	5 · 10 <sup>-10</sup> hPa   3.75 · 10 <sup>-10</sup> Torr   5 · 10 <sup>-10</sup> mbar
Fore-vacuum max. for N <sub>2</sub>	22 hPa   16.5 Torr   22 mbar
Gas throughput at final rotation speed for Ar	0.54 hPa·l/s
Gas throughput at final rotation speed for H <sub>2</sub>	15.3 hPa·l/s
Gas throughput at final rotation speed for He	2.7 hPa·l/s
Gas throughput at final rotation speed for N <sub>2</sub>	1.3 hPa·l/s
Gas throughput at full rotational speed, short term, for Ar	2 hPa·l/s
Gas throughput at full rotational speed, short term, for H <sub>2</sub>	30 hPa·l/s
Gas throughput at full rotational speed, short term, for He	8 hPa·l/s
Gas throughput at full rotational speed, short term, for N <sub>2</sub>	4 hPa·l/s
I/O interfaces	RS-485, Remote
Mounting orientation	Arbitrary
Permissible axial magnetic field max.	23 mT
Permissible radial magnetic field max.	3.7 mT
Power consumption max.	110 W
Pumping speed for Ar	66 l/s
Pumping speed for H <sub>2</sub>	48 l/s
Pumping speed for He	58 l/s
Pumping speed for N <sub>2</sub>	67 l/s
Rotation speed ± 2 %	90,000 rpm   90,000 min <sup>-1</sup>
Rotation speed variable	50 – 100 %
Run-up time	75 s
Sound pressure level	≤48 dB(A)
Venting connection	G 1/8"
Weight	3.1 kg   6.83 lb

Order number	
HiPace® 80 Neo	<b>PM P080 316 10</b>

<b>Accessories</b>	
<b>Adapters (electrical) Profibus</b>	
Y-Connector M12B to Profibus	P 4723 015
Y-Connector with cable M12B to Profibus, 0.5 m	P 4723 018
T-Connector M12B to Profibus	P 4723 020
Termination resistor M12B for Profibus	P 4723 030
Plug and socket M12B for Profibus	PM 051 927 -T
Line filter for cable fitting	PM 061 806
<b>Adapters (electrical) RS-232/485</b>	
Y-connector M12 for RS-485	P 4723 010
USB RS-485 converter	PM 061 207 -T
Coupling M12 for RS-485	PM 061 270 -X
Terminal resistor for RS-485	PT 348 105 -T
Power separator for RS-485	PT 348 132 -T
<b>Cables Backing pump control cables</b>	
Control cable for valve	PM 061 687 -T
HiPace – ACP connection cable	PM 071 142 -X
<b>Cables Connection cables</b>	
Connection cable, angled, with RS-485 interface and two accessory ports from TC 80/110/120 to power supply pack, 3 m	PM 071 656 -T
Connection cable, angled, with RS-485 interface and two accessory ports from TC 80/110/120 to power supply pack, 1 m	PM 071 655 -T
Connection cable, angled, with RS-485 interface and two accessory ports from TC 80/110/120 to power supply pack, 5 m	PM 071 657 -T
Connection cable, angled, with RS-485 interface and two accessory ports from TC 80/110/120 to power supply pack, 10 m	PM 071 658 -T
<b>Cables Extension cables</b>	
Extension cable M8 on M8	PM 061 783 -T
<b>Cables Mains cables / Power cords</b>	
Mains cable 230 V AC, CEE 7/7 to C13, 3 m	P 4564 309 ZA
Mains cable 115 V AC, NEMA 5-15 to C13, 3 m	P 4564 309 ZE
Mains cable 208 V AC, NEMA 6-15 to C13, 3 m	P 4564 309 ZF
<b>Cables RS-485 Interface cables</b>	
Interface cable, M12 m straight/M12 m straight, 3 m	PM 061 283 -T
Interface cable, M12 m straight/ M12 m angled, 0.7 m	PM 061 791 -T
<b>Control Devices Backing pump</b>	
Relay box for backing pumps, 1-phase 20 A for TC 110/120 and TCP 350, plug M8	PM 061 373 -T
Relay box, shielded, for backing pumps, 1-phase 7A for TC 110/120 and TCP 350, plug M8	PM 071 282 -X
<b>Control Devices Power supplies and control displays</b>	
Accessories package for HPU 001/PC	PM 061 005 -T
TPS 180, power supply pack for wall/standard rail installation	PM 061 341 -T
TPS 181, power supply pack 19" plug-in unit 3HU	PM 061 345 -T
Front panel kit for TPS 181	PM 061 394 -T
OmniControl 200, rack unit with integrated power supply pack	PE D52 000 0
OmniControl 200, table unit with integrated power supply pack	PE E52 110 0

<b>Accessories</b>	
<b>Cooling Air cooling</b>	
Air cooling for HiPace 60 P, HiPace 80 and SplitFlow 50/80 with TC 110/120	<b>PM Z01 300</b>
Air cooling for HiPace 60/80, SplitFlow 50/80, 230 V	<b>PM Z01 343</b>
Air cooling for HiPace 60 P and 80, SplitFlow 50/80, 115 V	<b>PM Z01 344</b>
<b>Cooling Water cooling</b>	
Water Cooling for HiPace 80 Neo   HiPace 30 Neo	<b>PM 026 100 -T</b>
<b>FKM cut from sheet material</b>	
Elastomer seal, FKM, DN 63 CF	<b>402DFL063-S2</b>
<b>FKM with centering lip; heat-molded</b>	
Elastomer seal, FKM, DN 63 CF	<b>402DFL063-Z</b>
<b>Heating Heating jackets</b>	
Heating sleeve for HiPace® 80 with TC 110, 230 V AC, safety plug	<b>PM 061 360 -T</b>
Heating sleeve for HiPace® 80 with TC 110, 208 V AC, ul plug	<b>PM 061 361 -T</b>
Heating sleeve for HiPace® 80 with TC 110, 115 V AC, ul plug	<b>PM 061 362 -T</b>
<b>Monitoring Pressure Sensors</b>	
RPT 010, digital Piezo/Pirani sensor	<b>PT R71 550</b>
IKT 010, digital cold cathode sensor, low current	<b>PT R72 550</b>
IKT 011, digital cold cathode sensor, high current	<b>PT R73 550</b>
<b>Mounting CF-F, Mounting kits</b>	
Hexagon Screw Set for Flanges with Through-Holes, DN 63 CF-F	<b>PM 016 683 -T</b>
Set of stud screws for flanges with a threaded hole, DN 63 CF-F	<b>PM 016 684 -T</b>
Set of stud screws for flanges with through-hole, DN 63 CF-F	<b>PM 016 733 -T</b>
<b>OFHC Copper (Oxygen Free)</b>	
Copper Gasket, OFHC-copper, DN 63 CF	<b>490DFL063-S10</b>
<b>OFHC Copper (Oxygen Free), Silver-plated</b>	
Copper Gasket, Silver-Plated, DN 63 CF	<b>490DFL063-S-S5</b>
<b>OFHC Copper (Oxygen Free), Silver-plated, Vacuum-annealed</b>	
Copper Gasket, Silver-plated, Vacuum-Annealed, DN 63 CF	<b>490DFL063-S-G-S5</b>
<b>OFHC Copper (Oxygen Free), Vacuum-annealed</b>	
Copper Gasket, Vacuum-annealed, DN 63 CF	<b>490DFL063-G-S5</b>
<b>Protection CF-F, splinter shields, protection screens</b>	
Splinter shield for Pfeiffer Vacuum turbopumps	<b>PM 016 312</b>
Protection screen for DN 63 CF-F	<b>PM 016 333</b>
<b>Valves Fore-vacuum safety valves</b>	
TVV 001, fore-vacuum safety valve, 230 V AC	<b>PM Z01 205</b>
TVV 001, fore-vacuum safety valve, 115 V AC	<b>PM Z01 206</b>
<b>Venting Power failure venting units (normally open)</b>	
Shielded power failure venting unit, 24 V DC, G 1/8", for connection to TC 110/120	<b>PM Z01 330</b>

<b>Accessories</b>	
<b>Venting Venting accessories</b>	
Flange with Pipe Thread, DN 16 ISO-KF, G 1/8"	<b>PM 016 780 -T</b>
Push-in fitting for 6 mm tube, G 1/8"	<b>PM 016 781 -T</b>
Push-in fitting for 8 mm tube, G 1/8"	<b>PM 016 782 -T</b>
Hose nozzle for 9 mm hose, G 1/8"	<b>PM 016 783 -T</b>
Banjo fitting	<b>PM 016 787 -T</b>
Banjo fitting, small	<b>PM 143 877 -T</b>
TTV 001, Drier for Venting Turbopumps	<b>PM Z00 121</b>
<b>Venting Venting valves (normally closed)</b>	
Venting valve, shielded, 24 V DC, G 1/8", for connection to TC 110/120	<b>PM Z01 290</b>
Venting valve, 24 V DC, G 1/8" without cable	<b>PM Z01 293</b>
<b>Vibration Reduction Vibration dampers</b>	
Vibration damper for HiPace 60/80, DN 63 CF-F	<b>PM 006 801 -X</b>

## **VACUUM SOLUTIONS FROM A SINGLE SOURCE**

Pfeiffer Vacuum stands for innovative and custom vacuum solutions worldwide, technological perfection, competent advice and reliable service.

## **COMPLETE RANGE OF PRODUCTS**

From a single component to complex systems:

We are the only supplier of vacuum technology that provides a complete product portfolio.

## **COMPETENCE IN THEORY AND PRACTICE**

Benefit from our know-how and our portfolio of training opportunities!

We support you with your plant layout and provide first-class on-site service worldwide.

Are you looking for a  
perfect vacuum solution?  
Please contact us:

**Pfeiffer Vacuum GmbH**  
Headquarters · Germany  
T +49 6441 802-0  
info@pfeiffer-vacuum.de

[www.pfeiffer-vacuum.com](http://www.pfeiffer-vacuum.com)

All data subject to change without prior notice.

**PFEIFFER**  **VACUUM**