



OPERATING INSTRUCTIONS

EN

Translation of the Original

MVP 020-3 AC

Diaphragm pump

PFEIFFER  **VACUUM**

Dear Customer,

Thank you for choosing a Pfeiffer Vacuum product. Your new diaphragm pump is designed to support you with its performance, perfect operation and without impacting your individual application. The name Pfeiffer Vacuum stands for high-quality vacuum technology, a comprehensive and complete range of top-quality products and first-class service. From this extensive, practical experience we have gained a large volume of information that can contribute to efficient deployment and to your personal safety.

In the knowledge that our product must avoid consuming work output, we trust that our product can offer you a solution that supports you in the effective and trouble-free implementation of your individual application.

Please read these operating instructions before putting your product into operation for the first time. If you have any questions or suggestions, please feel free to contact info@pfeiffer-vacuum.de.

Further operating instructions from Pfeiffer Vacuum can be found in the [Download Center](#) on our website.

Disclaimer of liability

These operating instructions describe all models and variants of your product. Note that your product may not be equipped with all features described in this document. Pfeiffer Vacuum constantly adapts its products to the latest state of the art without prior notice. Please take into account that online operating instructions can deviate from the printed operating instructions supplied with your product.

Furthermore, Pfeiffer Vacuum assumes no responsibility or liability for damage resulting from the use of the product that contradicts its proper use or is explicitly defined as foreseeable misuse.

Copyright

This document is the intellectual property of Pfeiffer Vacuum and all contents of this document are protected by copyright. They may not be copied, altered, reproduced or published without the prior written permission of Pfeiffer Vacuum.

We reserve the right to make changes to the technical data and information in this document.

Table of contents

1	About this manual	7
1.1	Validity	7
	1.1.1 Applicable documents	7
	1.1.2 Variants	7
1.2	Target group	7
1.3	Conventions	7
	1.3.1 Instructions in the text	7
	1.3.2 Pictographs	7
	1.3.3 Stickers on the product	8
	1.3.4 Abbreviations	8
2	Safety	10
2.1	General safety information	10
2.2	Safety instructions	10
2.3	Safety precautions	13
2.4	Limits of use of the product	14
2.5	Proper use	14
2.6	Foreseeable improper use	14
2.7	Personnel qualification	14
	2.7.1 Ensuring personnel qualification	15
	2.7.2 Personnel qualification for maintenance and repair	15
	2.7.3 Advanced training with Pfeiffer Vacuum	15
3	Product description	16
3.1	Function	16
	3.1.1 Actuator	16
	3.1.2 Pumping system	16
	3.1.3 Cooling	16
3.2	Connections	17
3.3	Identifying the product	17
3.4	Scope of delivery	17
4	Transportation and Storage	18
4.1	Transporting the vacuum pump	18
4.2	Storing the vacuum pump	18
5	Installation	19
5.1	Setting up vacuum pump	19
5.2	Connecting the vacuum side	19
5.3	Connect exhaust side	20
5.4	Connecting to the mains power supply	21
6	Operation	23
6.1	Commissioning vacuum pump	23
6.2	Switching on vacuum pump	23
6.3	Pumping condensable vapors	24
6.4	Switching off the vacuum pump	25
7	Maintenance	26
7.1	Maintenance instructions	26
7.2	Checklist for inspection and maintenance	27
7.3	Replacing the device fuses	28
7.4	Change the diaphragms and valves	28
	7.4.1 Dismantle the pump head and valves	29
	7.4.2 Dismantling the diaphragms	30
	7.4.3 Installing the diaphragm	30
	7.4.4 Installing the pump head and valves	31

7.5	Checking the final pressure	31
8	Decommissioning	33
9	Recycling and disposal	34
9.1	General disposal information	34
9.2	Dispose of diaphragm pumps	34
10	Malfunctions	35
11	Service solutions by Pfeiffer Vacuum	37
12	Spare parts packages	39
13	Accessories	41
13.1	Accessory information	41
13.2	Ordering accessories	41
14	Technical data and dimensions	42
14.1	General	42
14.2	Technical data	42
14.3	Substances in contact with the media	43
14.4	Dimensions	44
	Declaration of conformity	45

List of tables

Tbl. 1:	Stickers on the product	8
Tbl. 2:	Abbreviations used in this document	9
Tbl. 3:	Limits of use of the product	14
Tbl. 4:	Connection description of the diaphragm pump	17
Tbl. 5:	Permissible voltage ranges for reversible single phase motor	21
Tbl. 6:	Typical service life with normal use	26
Tbl. 7:	Maintenance intervals	27
Tbl. 8:	Troubleshooting on diaphragm pumps	36
Tbl. 9:	Spare part package diaphragms and valves	39
Tbl. 10:	Spare part package fan	39
Tbl. 11:	Spart part package flushing gas nozzle	40
Tbl. 12:	Accessories	41
Tbl. 13:	Conversion table: Pressure units	42
Tbl. 14:	Conversion table: Units for gas throughput	42
Tbl. 15:	Technical data MVP 020-3 AC	43
Tbl. 16:	Materials that make contact with the process media	44

List of figures

Fig. 1:	Position of the stickers on the product	8
Fig. 2:	Diaphragm pump design	16
Fig. 3:	Minimum distances	19
Fig. 4:	Voltage selector switch	21
Fig. 5:	Flushing gas nozzle with filter	24
Fig. 6:	Fuse holder with device fuse	28
Fig. 7:	Pump head and valves	29
Fig. 8:	Replacing the diaphragms	30
Fig. 9:	Correct mounting orientation of the valves in the head cover	31
Fig. 10:	Spare parts	39
Fig. 11:	Dimensions PK T01 101 A	44
Fig. 12:	Dimensions PK T01 103 A PK T01 104 A PK T01 110 A	44

1 About this manual



IMPORTANT

Read carefully before use.
Keep the manual for future consultation.

1.1 Validity

This operating instructions is a customer document of Pfeiffer Vacuum. The operating instructions describe the functions of the named product and provide the most important information for the safe use of the device. The description is written in accordance with the valid directives. The information in this operating instructions refers to the product's current development status. The document shall remain valid provided that the customer does not make any changes to the product.

1.1.1 Applicable documents

Designation	Document
Declaration of conformity	A component of these operating instructions

1.1.2 Variants

These instructions apply to diaphragm pumps of the AC series:

- MVP 020-3 AC

1.2 Target group

These operating instructions are aimed at all persons performing the following activities on the product:

- Transportation
- Setup (Installation)
- Usage and operation
- Decommissioning
- Maintenance and cleaning
- Storage or disposal

The work described in this document is only permitted to be performed by persons with the appropriate technical qualifications (expert personnel) or who have received the relevant training from Pfeiffer Vacuum.

1.3 Conventions

1.3.1 Instructions in the text

Usage instructions in the document follow a general structure that is complete in itself. The required action is indicated by an individual step or multi-part action steps.

Individual action step

A horizontal, solid triangle indicates the only step in an action.

- ▶ This is an individual action step.

Sequence of multi-part action steps

The numerical list indicates an action with multiple necessary steps.

1. Step 1
2. Step 2
3. ...

1.3.2 Pictographs

Pictographs used in the document indicate useful information.



Note



Tip

1.3.3 Stickers on the product

This section describes all the stickers on the product along with their meanings.

<p>PFEIFFER VACUUM</p> <p>Mod. MVP 020-3 AC P/N PK T01 110</p> <p>S/N xxxxxxxxxx</p> <p>Pfeiffer Vacuum Berliner Straße 43 D - 35614 Asslar Germany</p> <p>S (NZ) 1.2/1.4 m³/h n max. 1600 1/min Mass 7.3 kg IP 40 / Type 1 Pwr: 80 W 100-115 V, 50/60 Hz, 1.7 A 120 V, 60 Hz, 1.7 A 220-230 V, 50/60 Hz, 0.85 A</p> <p>2021/07</p> <p>ULCSA 91610-1 CE</p>	<p>Rating plate Rating plate of the diaphragm pump</p>
	<p>Warning of hot surfaces The sticker warns of hot surfaces during operation or immediately after switching off the vacuum pump.</p>
	<p>General warning signs The sticker provides a general warning of possible dangers.</p>
	<p>Warranty seal The diaphragm heads are sealed at the factory. Damaging or removing a warranty seal results in loss of the warranty.</p>
	<p>Warning against voltage range being set incorrectly This sticker warns against damage to the motor due to incorrectly set voltage range.</p>

Tbl. 1: Stickers on the product

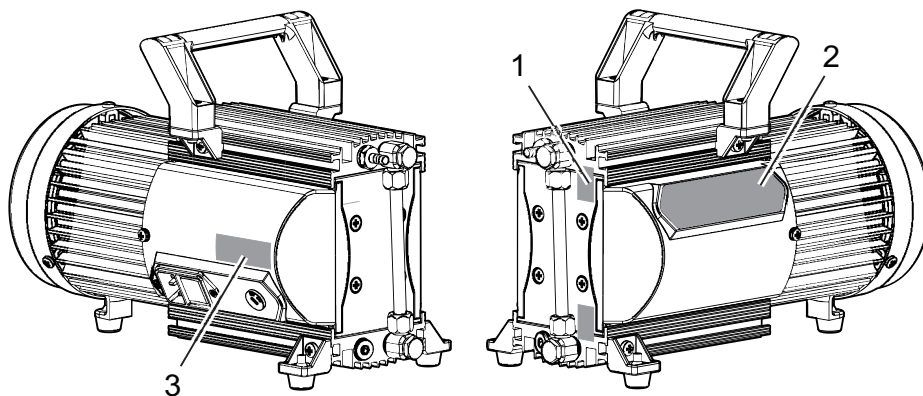


Fig. 1: Position of the stickers on the product

- 1 Warranty seal (2×)
- 2 Rating plate of the diaphragm pump
Incl. the 2 warning signs
- 3 Voltage range warning sign

1.3.4 Abbreviations

Abbreviation	Meaning in this document
AC	Alternating current
DN	Nominal diameter (diamètre nominal)

Abbreviation	Meaning in this document
FPM	Fluoropolymer rubber
MVP	Diaphragm vacuum pump
MSL	Mean sea level
PA	Polyamide
PE	Polyethylene Protective earth (earthed conductor)
PVC	Polyvinyl chloride (PVC)
WAF	Width across flats

Tbl. 2: Abbreviations used in this document

2 Safety

2.1 General safety information

The following 4 risk levels and 1 information level are taken into account in this document.

⚠ DANGER
<p>Immediately pending danger Indicates an immediately pending danger that will result in death or serious injury if not observed.</p> <ul style="list-style-type: none"> ▶ Instructions to avoid the danger situation

⚠ WARNING
<p>Potential pending danger Indicates a pending danger that could result in death or serious injury if not observed.</p> <ul style="list-style-type: none"> ▶ Instructions to avoid the danger situation

⚠ CAUTION
<p>Potential pending danger Indicates a pending danger that could result in minor injuries if not observed.</p> <ul style="list-style-type: none"> ▶ Instructions to avoid the danger situation

NOTICE
<p>Danger of damage to property Is used to highlight actions that are not associated with personal injury.</p> <ul style="list-style-type: none"> ▶ Instructions to avoid damage to property

i	Notes, tips or examples indicate important information about the product or about this document.
----------	--

2.2 Safety instructions

All safety instructions in this document are based on the results of the risk assessment carried out in accordance with Machinery Directive 2006/42/EC Annex I and EN ISO 12100 Section 5. As far as applicable, all unit life cycle phases have been considered.

Risks during transport

⚠ WARNING
<p>Danger of serious injury due to falling objects Due to falling objects there is a risk of injuries to limbs through to broken bones.</p> <ul style="list-style-type: none"> ▶ Take particular care and pay special attention when transporting products manually. ▶ Do not stack the products. ▶ Wear protective equipment, e.g. safety shoes.

Risks during installation

⚠ DANGER**Danger to life from electric shock**

Touching exposed and voltage-bearing elements causes an electric shock. Improper connection of the mains supply leads to the risk of touchable live housing parts. There is a risk to life.

- ▶ Before the installation, check that the connection leads are voltage-free.
- ▶ Make sure that electrical installations are only carried out by qualified electricians.
- ▶ Provide adequate grounding for the device.
- ▶ After connection work, carry out an earthed conductor check.

⚠ CAUTION**Danger of injury from bursting as a result of high pressure in the exhaust line**

Faulty or inadequate exhaust pipes lead to dangerous situations, e.g. increased exhaust pressure. There is a danger of bursting. Injuries caused by flying fragments, the escaping of high pressure, and damage to the unit cannot be excluded.

- ▶ Route the exhaust line without shut-off units.
- ▶ Observe the permissible pressures and pressure differentials for the product.
- ▶ Check the function of the exhaust line on a regular basis.

⚠ CAUTION**Danger of burns on hot surfaces**

Depending on the operating and ambient conditions, the surface temperature of the vacuum pump can increase to above 70 °C. If access to the vacuum pump is unrestricted, there is a danger of burns due to contact with hot surfaces.

- ▶ Install suitable touch protection if the vacuum pump is unrestrictedly accessible.
- ▶ Allow the vacuum pump to cool down before carrying out any work.
- ▶ Contact Pfeiffer Vacuum for suitable touch protection in system solutions.

⚠ CAUTION**Health hazard from increased noise emission**

Operation without silencer leads to higher noise emissions. Remaining in the close proximity of the vacuum pump for a sustained period of time may cause hearing damage.

- ▶ Install a suitable exhaust line.
- ▶ Wear hearing protection.

Risks during operation

⚠ WARNING**Health hazard through poisoning from toxic contaminated components or devices**

Toxic process media result in contamination of devices or parts of them. During maintenance work, there is a risk to health from contact with these poisonous substances. Illegal disposal of toxic substances causes environmental damage.

- ▶ Take suitable safety precautions and prevent health hazards or environmental pollution by toxic process media.
- ▶ Decontaminate affected parts before carrying out maintenance work.
- ▶ Wear protective equipment.

⚠ WARNING**Risk of explosion from reactive, explosive or other hazardous gas / air mixtures.**

Uncontrolled inlet of gas at the flushing gas nozzle leads to sparks generated mechanically following diaphragm rupture, hot surfaces or to explosive gas / air mixtures in the vacuum system caused by static electricity.

- ▶ If necessary, use inert gas for supplying the flushing gas in order to avoid a potential ignition.

⚠ WARNING

Danger of poisoning due to toxic process media escaping from the exhaust pipe

During operation with no exhaust line, the vacuum pump allows exhaust gases and vapors to escape freely into the air. There is a risk of injury and fatality due to poisoning in processes with toxic process media.

- ▶ Observe the pertinent regulations for handling toxic process media.
- ▶ Safely purge toxic process media via an exhaust line.
- ▶ Use appropriate filter equipment to separate toxic process media.

⚠ CAUTION

Risk of poisoning due to toxic process gases escaping

For intake pressures > 500 hPa, process gas may escape from the flushing gas nozzle.

- ▶ If necessary, use an extraction line.

⚠ CAUTION

Danger of injury from moving parts

After a power failure or a standstill as a result of overheating, the motor restarts automatically. There is a risk of injury to fingers and hands if they enter the operating range of rotating parts.

- ▶ Safely disconnect motor from the mains.
- ▶ Secure the motor against reactivation.
- ▶ Dismantle the vacuum pump for inspection, away from the system if necessary.

⚠ CAUTION

Danger of burns on hot surfaces

In the event of a fault, the surface temperature of the vacuum pump can increase to above 105°C.

- ▶ Allow the vacuum pump to cool down before carrying out any work.
- ▶ Wear personal protective equipment.
- ▶ Install suitable touch protection if the vacuum pump is accessible to untrained persons.

⚠ CAUTION

Danger of burns on hot surfaces

Depending on the operating and ambient conditions, the surface temperature of the vacuum pump can increase to above 70 °C. If access to the vacuum pump is unrestricted, there is a danger of burns due to contact with hot surfaces.

- ▶ Install suitable touch protection if the vacuum pump is accessible to untrained persons.
- ▶ Allow the vacuum pump to cool down before carrying out any work.
- ▶ Contact Pfeiffer Vacuum for suitable touch protection in system solutions.

Risks during maintenance, decommissioning and in the event of malfunctions

⚠ WARNING

Danger to life from electric shock during maintenance and service work

The vacuum pump is only completely de-energized when the mains plug has been disconnected. There is a danger to life from electric shock when making contact with live components.

- ▶ Before performing all work, switch off the mains switch.
- ▶ Disconnect mains cable from mains plug.
- ▶ Wait 2 minutes until the capacitors have discharged.
- ▶ Secure the vacuum pump against unintentional re-start.

⚠ CAUTION**Danger of burns on hot surfaces**

In the event of a fault, the surface temperature of the vacuum pump can increase to above 105°C.

- ▶ Allow the vacuum pump to cool down before carrying out any work.
- ▶ Wear personal protective equipment.
- ▶ Install suitable touch protection if the vacuum pump is accessible to untrained persons.

Risks during disposal**⚠ WARNING****Health hazard through poisoning from toxic contaminated components or devices**

Toxic process media result in contamination of devices or parts of them. During maintenance work, there is a risk to health from contact with these poisonous substances. Illegal disposal of toxic substances causes environmental damage.

- ▶ Take suitable safety precautions and prevent health hazards or environmental pollution by toxic process media.
- ▶ Decontaminate affected parts before carrying out maintenance work.
- ▶ Wear protective equipment.

2.3 Safety precautions

**Duty to provide information on potential dangers**

The product holder or user is obliged to make all operating personnel aware of dangers posed by this product.

Every person who is involved in the installation, operation or maintenance of the product must read, understand and adhere to the safety-related parts of this document.

**Infringement of conformity due to modifications to the product**

The Declaration of Conformity from the manufacturer is no longer valid if the operator changes the original product or installs additional equipment.

- Following the installation into a system, the operator is required to check and re-evaluate the conformity of the overall system in the context of the relevant European Directives, before commissioning that system.

General safety precautions

- ▶ Prevent process gases and their reaction and ancillary products that are harmful to health and the environmental from escaping, or dispose of these according to the applicable regulations.
- ▶ Avoid contact with process gases that are harmful to health and if required, wear personal protective clothing.
- ▶ Check the media compatibility of parts carrying media.
- ▶ Observe all applicable safety and accident prevention regulations.
- ▶ Check that all safety measures are observed at regular intervals.
- ▶ Do not expose body parts to the vacuum.
- ▶ Never disconnect plug connections during operation.
- ▶ Never fill or operate the unit with cleaning agents or cleaning agent residues.
- ▶ Do not carry out your own conversions or modifications on the unit.
- ▶ Observe the unit protection degree prior to installation or operation in other environments.
- ▶ Provide suitable touch protection, if the surface temperature exceeds 70°C.
- ▶ Keep lines and cables away from hot surfaces.
- ▶ Before returning the vacuum pump, observe the notes in the chapter Service solutions.

2.4 Limits of use of the product

Installation location	Interiors, protected against the accumulation of dust and weather influences, in a non-explosive, dry environment
Protection degree IEC 60529	IP 40
Protection degree UL 50E	NEMA type 1
Installation altitude	max. 2000 m above sea level ¹⁾
Ambient temperature	+10 °C to +40 °C
Relative humidity of air	85% at T ≤ 31 °C, to max. 50% at T ≤ 40 °C
Degree of pollution	2
Overvoltage category	II

Tbl. 3: Limits of use of the product

2.5 Proper use

- ▶ Use the vacuum pump for vacuum generation only.
- ▶ Adhere to the installation, commissioning, operating, and maintenance instructions.
- ▶ Do not use any accessory parts other than those recommended by Pfeiffer Vacuum.

2.6 Foreseeable improper use

Improper use of the product invalidates all warranty and liability claims. Any use that is counter to the purpose of the product, whether intentional or unintentional, is regarded as improper use; in particular:

- Pumping of corrosive media
- Pumping of explosive media
- Pumping radioactive or volatile media
- Pumping of gases that contain impurities such as particles, dust, or condensate
- Pumping of fluids
- Pumping FPM-solubilizing media
- Pumping vapors from combustible liquids
- Pumping pressurized media (> atmospheric pressure)
- Pumping media that can condense or cause adhering deposits to form in the suction chamber
- Use of the vacuum pump outside the specified area of application
- Using the vacuum pump below ground
- Using the vacuum pump to generate pressure
- Using the vacuum pump in systems in which sporadic loads and vibrations or periodic forces act on the unit
- Using the vacuum pump in strong electrical, magnetic, or electromagnetic fields
- Connection to vacuum pumps or equipment which are not suitable for this purpose according to their operating instructions
- Connection to devices with exposed live parts
- Connecting to sockets without earthing contact
- Using pipes to lift the vacuum pump
- Use of accessories or spare parts that are not listed in these instructions
- Using the vacuum pump as a climbing aid
- Using the connection lines between the diaphragm heads as carrying handles
- Using the pump in ambient conditions that do not meet the specified IP protection degree limits

2.7 Personnel qualification

The work described in this document may only be carried out by persons who have appropriate professional qualifications and the necessary experience or who have completed the necessary training as provided by Pfeiffer Vacuum.

1) at an installation location higher than 1000 meters above sea level, there is a risk of insufficient cooling. If necessary, take measures according to Directive DIN EN 61010.

Training people

1. Train the technical personnel on the product.
2. Only let personnel to be trained work with and on the product when under the supervision of trained personnel.
3. Only allow trained technical personnel to work with the product.
4. Before starting work, make sure that the commissioned personnel have read and understood these operating instructions and all applicable documents, in particular the safety, maintenance and repair information.

2.7.1 Ensuring personnel qualification**Specialist for mechanical work**

Only a trained specialist may carry out mechanical work. Within the meaning of this document, specialists are people responsible for construction, mechanical installation, troubleshooting and maintenance of the product, and who have the following qualifications:

- Qualification in the mechanical field in accordance with nationally applicable regulations
- Knowledge of this documentation

Specialist for electrotechnical work

Only a trained electrician may carry out electrical engineering work. Within the meaning of this document, electricians are people responsible for electrical installation, commissioning, troubleshooting, and maintenance of the product, and who have the following qualifications:

- Qualification in the electrical engineering field in accordance with nationally applicable regulations
- Knowledge of this documentation

In addition, these individuals must be familiar with applicable safety regulations and laws, as well as the other standards, guidelines, and laws referred to in this documentation. The above individuals must have an explicitly granted operational authorization to commission, program, configure, mark, and earth devices, systems, and circuits in accordance with safety technology standards.

Trained individuals

Only adequately trained individuals may carry out all works in other transport, storage, operation and disposal fields. Such training must ensure that individuals are capable of carrying out the required activities and work steps safely and properly.

2.7.2 Personnel qualification for maintenance and repair**Advanced training courses**

Pfeiffer Vacuum offers advanced training courses to maintenance levels 2 and 3.

Adequately trained individuals are:

- **Maintenance level 1**
 - Customer (trained specialist)
- **Maintenance level 2**
 - Customer with technical education
 - Pfeiffer Vacuum service technician
- **Maintenance level 3**
 - Customer with Pfeiffer Vacuum service training
 - Pfeiffer Vacuum service technician

2.7.3 Advanced training with Pfeiffer Vacuum

For optimal and trouble-free use of this product, Pfeiffer Vacuum offers a comprehensive range of courses and technical trainings.

For more information, please contact [Pfeiffer Vacuum technical training](#).

3 Product description

3.1 Function

The diaphragm pump is a dry compressing vacuum pump with 4 pumping stages. This vacuum pump is a positive displacement pump with a periodic change in suction chamber size, produced by the movement of the diaphragm. The gas flow causes the valves to open and close automatically. The pump units are directly connected to the drive motor.

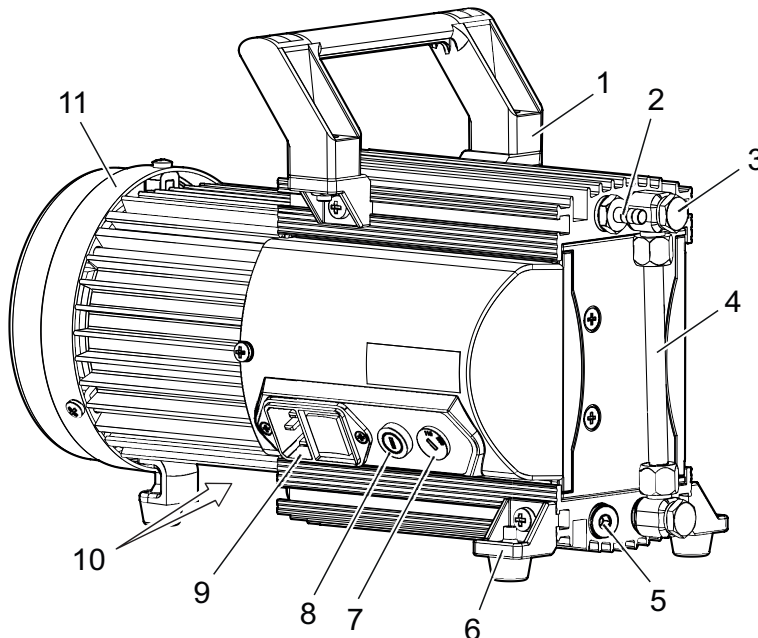


Fig. 2: Diaphragm pump design

- | | |
|--|---|
| 1 Handle | 7 Voltage selector switch |
| 2 Vacuum connection, thread 1/8" | 8 Fuse holder with device fuse |
| 3 Banjo bolt | 9 Mains connection with integrated plug and locking plate |
| 4 Interhead connection | 10 Exhaust with silencer |
| 5 Locking screw
(optional: flushing gas nozzle) | 11 Motor |
| 6 Rubber feet | |

3.1.1 Actuator

The drive motor is a single-phase extended voltage range motor with

- switchable voltage range from 100 to 120 V or 200 to 230 V ($\pm 10\%$), 50/60 Hz
- thermal protection switch
- Mains cable with plug

In the event of excess temperature ($> 95\text{ }^{\circ}\text{C}$), the thermic protection switch interrupts the motor current, but does not facilitate a permanent shut-down of the motor. Once the motor has cooled down, the vacuum pump restarts automatically.

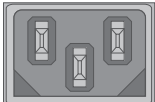
3.1.2 Pumping system

The diaphragm pump has 2 diaphragm heads and 4 pumping stages.

3.1.3 Cooling

The diaphragm pump is convection-cooled. The drive motor has not got its own fan.

3.2 Connections

Connection	Description
	Mains connection Power socket and mains switch for voltage supply

Tbl. 4: Connection description of the diaphragm pump

3.3 Identifying the product

- ▶ To ensure clear identification of the product when communicating with Pfeiffer Vacuum, always keep all of the information on the rating plate to hand.
- ▶ Learn about certifications through test seals on the product or at www.certipedia.com with company ID no. [000021320](http://www.certipedia.com).

3.4 Scope of delivery

- Vacuum pump with drive
- Silencer
- Operating instructions
- Blind plug on the vacuum connection

4 Transportation and Storage

4.1 Transporting the vacuum pump

WARNING

Danger of serious injury due to falling objects

Due to falling objects there is a risk of injuries to limbs through to broken bones.

- ▶ Take particular care and pay special attention when transporting products manually.
- ▶ Do not stack the products.
- ▶ Wear protective equipment, e.g. safety shoes.



Packing

We recommend keeping the transport packaging and original protective cover.

General information regarding safe transport

1. Observe the weight specified on packaging.
2. Use a transport aid if necessary (trolley, lift truck).
3. Transport the product in its original packaging.
4. Always place the product on an adequately sized, level surface.

Transporting the vacuum pump without its packaging

1. Unpack the vacuum pump.
2. To protect the inside of the pump, leave both protective caps on the connections during transport.
3. For lifting, use the handle provided for this purpose, located on the top of the pump.
4. Lift the vacuum pump out of the transport packaging.
5. Make sure that no forces are acting on the piping system.
6. Always place the vacuum pump on an adequately sized, level surface.

4.2 Storing the vacuum pump



Packing

We recommend storing the product in its original packaging.

Procedure

1. Seal the vacuum connection with the blind plug.
2. Store the vacuum pump only in dry, dust-free rooms, within the specified ambient conditions.
3. In rooms with humid or aggressive atmospheres: Hermetically seal the vacuum pump together with a drying agent in a plastic bag.

5 Installation

5.1 Setting up vacuum pump

⚠ CAUTION

Danger of burns on hot surfaces

Depending on the operating and ambient conditions, the surface temperature of the vacuum pump can increase to above 70 °C. If access to the vacuum pump is unrestricted, there is a danger of burns due to contact with hot surfaces.

- ▶ Install suitable touch protection if the vacuum pump is unrestrictedly accessible.
- ▶ Allow the vacuum pump to cool down before carrying out any work.
- ▶ Contact Pfeiffer Vacuum for suitable touch protection in system solutions.

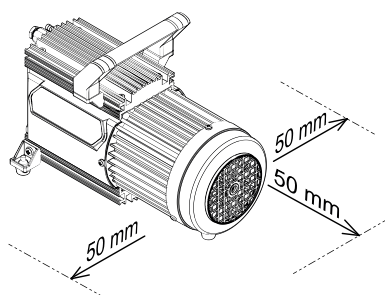


Fig. 3: Minimum distances

Procedure

- When selecting the installation location, observe the requirement for touch protection to prevent burns.
 - Pfeiffer Vacuum supports you in implementing the touch protection.
1. Ensure easy access to mains plug at all times so that the vacuum pump can be disconnected from the supply voltage.
 2. Place the vacuum pump on a flat, horizontal surface.
 3. For stationary installation, screw the vacuum pump directly to the base if necessary.
 - For this purpose, dismantle the rubber feet.
 4. When installing the pump in a closed housing, ensure adequate air circulation.
 - The vacuum pump does not have a fan.
 5. Make sure that minimum distances to adjacent components, e.g., walls, housings, etc., are observed.
 6. Keep the specifications on the motor rating plate visible and freely accessible.

5.2 Connecting the vacuum side

NOTICE

Property damage from contaminated gases

Pumping gases that contain contamination damages the vacuum pump.

- ▶ Use suitable filters or separators from the Pfeiffer Vacuum range of accessories, to protect the vacuum pump.



Installation and operation of accessories

Pfeiffer Vacuum offers a series of special, compatible accessories for its diaphragm pumps.

- Information and ordering options for approved [accessories](#) can be found online.
- Described accessories are not included in the shipment.



Preventing throttling losses

Using the shortest possible vacuum connection lines with large nominal diameter prevents pressure losses.



Condensate separator

Pfeiffer Vacuum recommends the installation of a condensate separator in case vapors are formed from moisture during evacuation.

Procedure

1. Remove the blind plug from the vacuum connection.
2. Establish the shortest possible connection between vacuum pump and vacuum chamber.
3. Choose a minimum vacuum line diameter equal to the nominal diameter of the vacuum connection.
4. Depending on the pump type, use PVC or metallic hoses with flange connections from the [Pfeiffer Vacuum component shop](#).
5. Connect the vacuum pump to the vacuum system using the vacuum connection.

5.3 Connect exhaust side

⚠ WARNING

Danger to life from poisoning where toxic process gases leak with no exhaust line

During normal operation, the vacuum pump expels exhaust gases and vapors freely into the air. In processes involving toxic media, there is a risk of injury and danger to life due to poisoning.

- ▶ Observe the relevant regulations for handling toxic substances.
- ▶ Safely purge toxic process gases via an exhaust line.

⚠ CAUTION

Danger of injury from bursting as a result of high pressure in the exhaust line

Faulty or inadequate exhaust pipes lead to dangerous situations, e.g. increased exhaust pressure. There is a danger of bursting. Injuries caused by flying fragments, the escaping of high pressure, and damage to the unit cannot be excluded.

- ▶ Route the exhaust line without shut-off units.
- ▶ Observe the permissible pressures and pressure differentials for the product.
- ▶ Check the function of the exhaust line on a regular basis.

⚠ CAUTION

Health hazard from increased noise emission

Operation without silencer leads to higher noise emissions. Remaining in the close proximity of the vacuum pump for a sustained period of time may cause hearing damage.

- ▶ Install a suitable exhaust line.
- ▶ Wear hearing protection.



Condensate separator

Pfeiffer Vacuum recommends installing a condensate separator, with condensate drain at the lowest point of the exhaust line.

Procedure

1. Check the installed silencer for free passage.
2. Choose a minimum exhaust line diameter equal to the nominal diameter of the connection flange.
3. Depending on the pump type, use PVC or metallic hoses with flange connections from the [Pfeiffer Vacuum component shop](#).
4. Option: In case of higher gas throughputs, mount an exhaust line.
5. Route the piping downwards from the vacuum pump, to prevent condensate return.
6. Support or suspend the piping to the vacuum pump so that no piping system forces act on the vacuum pump.

5.4 Connecting to the mains power supply

⚠ DANGER

Danger to life from electric shock

Touching exposed and voltage-bearing elements causes an electric shock. Improper connection of the mains supply leads to the risk of touchable live housing parts. There is a risk to life.

- ▶ Before the installation, check that the connection leads are voltage-free.
- ▶ Make sure that electrical installations are only carried out by qualified electricians.
- ▶ Provide adequate grounding for the device.
- ▶ After connection work, carry out an earthed conductor check.

NOTICE

Risk of property damage from excess voltage

Incorrect or excessive mains voltage will destroy the motor.

- ▶ Always observe the motor rating plate specifications.
- ▶ Route the mains connection in accordance with locally applicable provisions.
- ▶ Always provide a suitable mains fuse to protect the motor and supply cable in the event of a fault.

NOTICE

Property damage from the voltage range being set incorrectly

Recommissioning after longer downtimes of the vacuum pump or after changing the oil requires the current settings to be checked.

- ▶ Before switching the vacuum pump on each time, check the currently set voltage range.
- ▶ Make changes to the voltage range only after the vacuum pump has been disconnected from the mains.

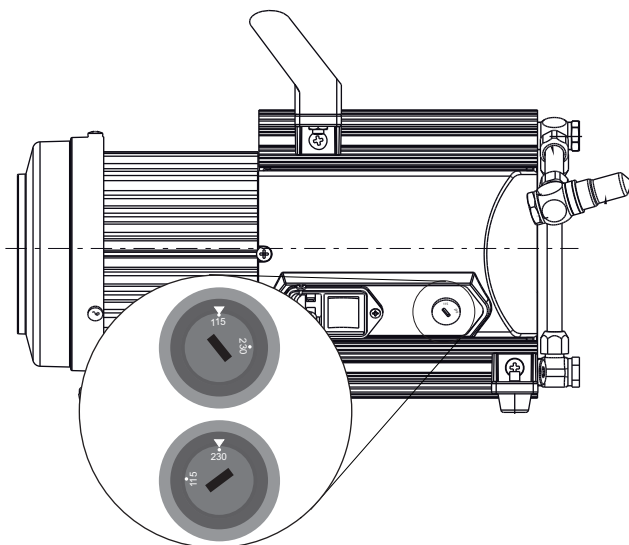


Fig. 4: Voltage selector switch

Switch position:	"115"	"230"
Voltage range	90 – 126 V, 50/60 Hz	180 – 254 V, 50/60 Hz

Tbl. 5: Permissible voltage ranges for reversible single phase motor

Required tool

- Slot screwdriver

Accessories required

- Mains cable

Changing the voltage range

1. The mains voltage must be determined on-site each time before the vacuum pump is installed or moved to a different location.
2. Disconnect the vacuum pump from the mains.
3. Set the required voltage range on the voltage selector switch using a suitable screwdriver.

Establish the mains supply

1. Always ensure a secure connection to the earthed conductor (PE).
2. Plug mains cable into power socket of vacuum pump.

6 Operation

6.1 Commissioning vacuum pump

WARNING

Danger of poisoning due to toxic process media escaping from the exhaust pipe

During operation with no exhaust line, the vacuum pump allows exhaust gases and vapors to escape freely into the air. There is a risk of injury and fatality due to poisoning in processes with toxic process media.

- ▶ Observe the pertinent regulations for handling toxic process media.
- ▶ Safely purge toxic process media via an exhaust line.
- ▶ Use appropriate filter equipment to separate toxic process media.

CAUTION

Danger of burns on hot surfaces

Depending on the operating and ambient conditions, the surface temperature of the vacuum pump can increase to above 70 °C. If access to the vacuum pump is unrestricted, there is a danger of burns due to contact with hot surfaces.

- ▶ Install suitable touch protection if the vacuum pump is unrestrictedly accessible.
- ▶ Allow the vacuum pump to cool down before carrying out any work.
- ▶ Contact Pfeiffer Vacuum for suitable touch protection in system solutions.

NOTICE

Vacuum pump damage caused by overpressure

Mixing up the connections causes overpressure overload. The vacuum pump can be started only against max. 1 bar differential pressure between inlet and outlet; otherwise the motor jams and sustains damage.

- ▶ Make sure that the distributor is installed correctly on the diaphragm heads, before connecting the vacuum pump to the vacuum equipment.
- ▶ Before commissioning, make completely sure that the pressure side pressure is below the permissible limit.

Procedure

1. Compare the frequency specifications on the rating plate with the available supply voltage.
2. Check the exhaust connection for free passage (max. permissible pressure: 1100 hPa absolute).
3. Actuate the shut-off units so that the shut-off units open before or at the same time as the vacuum pump starts up.

6.2 Switching on vacuum pump

CAUTION

Danger of burns on hot surfaces

Depending on the operating and ambient conditions, the surface temperature of the vacuum pump can increase to above 70 °C. If access to the vacuum pump is unrestricted, there is a danger of burns due to contact with hot surfaces.

- ▶ Install suitable touch protection if the vacuum pump is unrestrictedly accessible.
- ▶ Allow the vacuum pump to cool down before carrying out any work.
- ▶ Contact Pfeiffer Vacuum for suitable touch protection in system solutions.



Warm-up time of the vacuum pump

The warm-up time depends on the ambient temperature and takes at least 30 minutes.

When pumping down dry gases, no special precautions are required.

Prerequisite

- Required mains connection established

Switching on the vacuum pump

1. If required, switch the vacuum pump on in each pressure range at the mains switch.
2. Allow the vacuum pump to warm up prior to process start, with the vacuum connection closed.

The vacuum pump achieves the specified throughput and final pressure values once the operating temperature has been reached.

6.3 Pumping condensable vapors

Vapors or moisture from pumped media impair the throughput after condensation in the vacuum pump. Using the optional flushing gas nozzle improves the discharge of condensate, and the pump achieves the specified final vacuum more quickly.

⚠ WARNING

Risk of explosion from reactive, explosive or other hazardous gas / air mixtures.

Uncontrolled inlet of gas at the flushing gas nozzle leads to sparks generated mechanically following diaphragm rupture, hot surfaces or to explosive gas / air mixtures in the vacuum system caused by static electricity.

- ▶ If necessary, use inert gas for supplying the flushing gas in order to avoid a potential ignition.

⚠ CAUTION

Risk of poisoning due to toxic process gases escaping

For intake pressures > 500 hPa, process gas may escape from the flushing gas nozzle.

- ▶ If necessary, use an extraction line.



Maximum inlet pressure

The maximum permissible inlet pressure at the flushing gas nozzle is 1,200 hPa absolute.

Accessories required

- Flushing gas nozzle with filter (order number PK 050 304 -U)

Required tools

- Allen key, **WAF 5**
- Open-end wrench, **WAF 14**

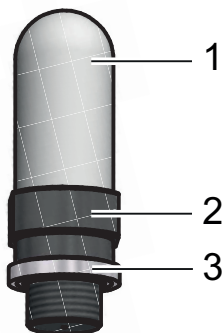


Fig. 5: Flushing gas nozzle with filter

- 1 Filter (1/8" thread)
- 2 Nozzle adapter for inert gas connection (1/8" thread, nozzle Ø 0.2 mm)
- 3 VS sealing ring

Mounting the flushing gas nozzle

1. Unscrew and remove the sealing screw from the vacuum pump.
2. Screw the flushing gas nozzle into the vacuum pump.
3. Manually unscrew and remove the filter from the nozzle adapter to connect an inert gas line.

6.4 Switching off the vacuum pump

Procedure

1. Allow the vacuum pump to run on for 5 to 10 minutes with the vacuum connection open to allow any condensate that may be present to be removed from the vacuum pump.
2. If required, switch the vacuum pump off in each pressure range at the mains switch.

7 Maintenance

7.1 Maintenance instructions

⚠ WARNING

Health hazard through poisoning from toxic contaminated components or devices

Toxic process media result in contamination of devices or parts of them. During maintenance work, there is a risk to health from contact with these poisonous substances. Illegal disposal of toxic substances causes environmental damage.

- ▶ Take suitable safety precautions and prevent health hazards or environmental pollution by toxic process media.
- ▶ Decontaminate affected parts before carrying out maintenance work.
- ▶ Wear protective equipment.

⚠ CAUTION

Danger of injury from moving parts

After a power failure or a standstill as a result of overheating, the motor restarts automatically. There is a risk of injury to fingers and hands if they enter the operating range of rotating parts.

- ▶ Safely disconnect motor from the mains.
- ▶ Secure the motor against reactivation.
- ▶ Dismantle the vacuum pump for inspection, away from the system if necessary.

NOTICE

Damage caused by unsuitable cleaning agents

Unsuitable cleaning agents damage pump parts.

- ▶ Use only approved cleaning agents to clean pump parts.
- ▶ Use only a clean dry cloth to clean the diaphragms and valves.
- ▶ Do not use any alcohol or other cleaning agents to clean the diaphragms and valves.

NOTICE

Danger of property damage from improper maintenance

Unprofessional work on the vacuum pump will lead to damage for which Pfeiffer Vacuum accepts no liability.

- ▶ We recommend taking advantage of our service training offering.
- ▶ When ordering spare parts, specify the information on the nameplate.

The following section describes the tasks for cleaning and maintaining the vacuum pump. Valves and diaphragms are wear parts.

Component	Operating hours
Diaphragms	15 000
Valves	15 000
Motor bearing	40 000

Tbl. 6: Typical service life with normal use

Prerequisites

- Vacuum pump switched off
- Vacuum pump vented from atmospheric pressure
- Vacuum pump cooled

Required materials

- Cloth (clean, lint-free)
- Water or mild soap solution

Servicing the vacuum pump

1. Disconnect the vacuum pump from the voltage supply.
2. Secure the motor against reactivation.
3. Remove any external contamination on the vacuum pump with cloth slightly moistened with water or a mild soap solution.
4. Allow all cleaned parts to dry well.
5. For maintenance work, only dismantle the vacuum pump to the extend needed.
6. Clean the suction chamber, diaphragms, and valves with a dry cloth.
7. Examine the diaphragms and valves for cracks at the latest when the pressure values achieved decrease.

7.2 Checklist for inspection and maintenance



Notes on maintenance intervals

Depending on the process, the required maintenance intervals may be shorter than the reference values specified in the table.

- Consult with Pfeiffer Vacuum Service about shorter maintenance intervals for extreme loads or for specific processes.



Maintenance level 2

We recommend that Pfeiffer Vacuum Service carry out maintenance work at level 2. If the specified intervals are exceeded, or if maintenance work is carried out improperly, no warranty or liability claims are accepted on the part of Pfeiffer Vacuum. This also applies wherever parts other than original spare parts are used.

Action	Inspection	Maintenance level 1	Maintenance level 3	Required material
Interval	as required; at least once every six months	as required; at least every 2 years	as required; at least every 4 years	
Check silencer for contamination ²⁾	■			
Test vacuum pump optically and acoustically	■			
Read out and analyze pump data		■		
Clean the vacuum pump		■		
Change the diaphragms and valves		■		Overhaul kit
Change silencer ³⁾		■		Silencer
Perform a functional test		■		
Incoming inspection with vibration measurement			■	
Disassemble vacuum pump completely			■	
Clean vacuum pump completely			■	
Change gas ballast filter ⁴⁾			■	Filter
Replace all wear parts			■	Diaphragms, valves, sealing rings, silencers

Tbl. 7: Maintenance intervals

2) if present

3) if present

4) if present

7.3 Replacing the device fuses

⚠ WARNING

Danger to life from electric shock during maintenance and service work

The vacuum pump is only completely de-energized when the mains plug has been disconnected. There is a danger to life from electric shock when making contact with live components.

- ▶ Before performing all work, switch off the mains switch.
- ▶ Disconnect mains cable from mains plug.
- ▶ Wait 2 minutes until the capacitors have discharged.
- ▶ Secure the vacuum pump against unintentional re-start.

The device fuse can be found in a fuse holder on the side housing cover.

Prerequisites

- Supply voltage switched off
- Drive motor disconnected from mains and secured against activation

Required tools

- Screwdriver

Spare part required

- Microfuse 5×20 mm / 2.5 AT

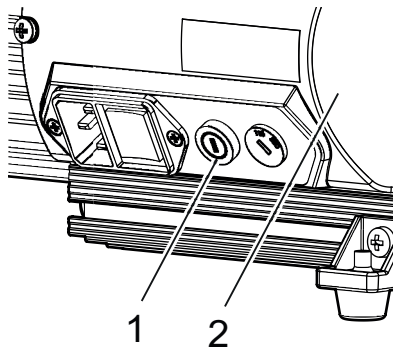


Fig. 6: Fuse holder with device fuse

- 1 Fuse holder 2 Side housing cover

Replacing defective device fuses

1. Open the fuse holder.
2. Replace the defective device fuse.
3. Close fuse holder.

7.4 Change the diaphragms and valves

NOTICE

Property damage from incorrect installation

Change in dead volume due to incorrect installation of the original spacer disks impairs the final vacuum or leads to bearing damage.

- ▶ During disassembly, keep the existing spacer disks separate per installation location.
- ▶ Reinstall the same number of original spacer disks per diaphragm head.

7.4.1 Dismantle the pump head and valves



Avoid interchanging components

Always dismantle and mount only the pump head on one pump side in order to avoid interchanging the components.

The procedures are identical for both pump heads.

Prerequisites

- Handle dismantled
- Diaphragm pump supported

Required tools

- Open-end wrench, **WAF 15**
- Open-end wrench, **WAF 16**
- Allen key, **WAF 4**

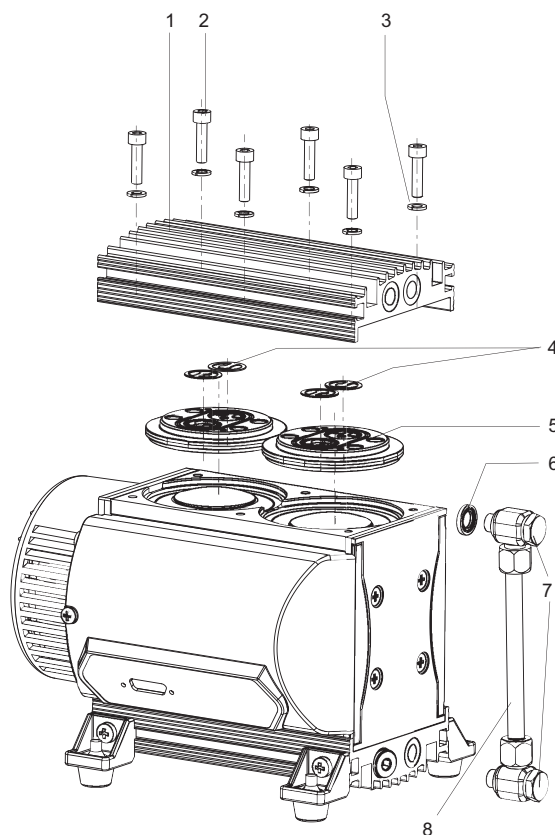


Fig. 7: Pump head and valves

- | | |
|-----------------------|---------------------|
| 1 Housing cover 1 | 5 Head cover (2×) |
| 2 Cylinder screw (6×) | 6 Sealing ring (2×) |
| 3 Lock washer (6×) | 7 Banjo bolt (2×) |
| 4 Valve (4×) | 8 Hose connection |

Procedure

1. Loosen the screw fitting.
2. Turn the elbow fitting max. 1/4 revolution anti-clockwise, until the hose connection can be loosened.
3. Loosen the screw fitting.
4. Dismantle the hose connection.
5. Unscrew the cylinder screws on the housing cover.
6. Remove the housing cover.
7. Remove the head cover each with both valves.
 - If the valves stick to the housing cover, carefully release the valves; otherwise, remove the valves from the head covers.

7.4.2 Dismantling the diaphragms

Prerequisite

- Pump head and valves dismantled

Required tool

- Diaphragm key **WAF 46**

Spare parts required

- Inspection set, including diaphragm key

Required consumable materials

- Clean, dry cloth
- Alcohol or cleaning solvent, if necessary

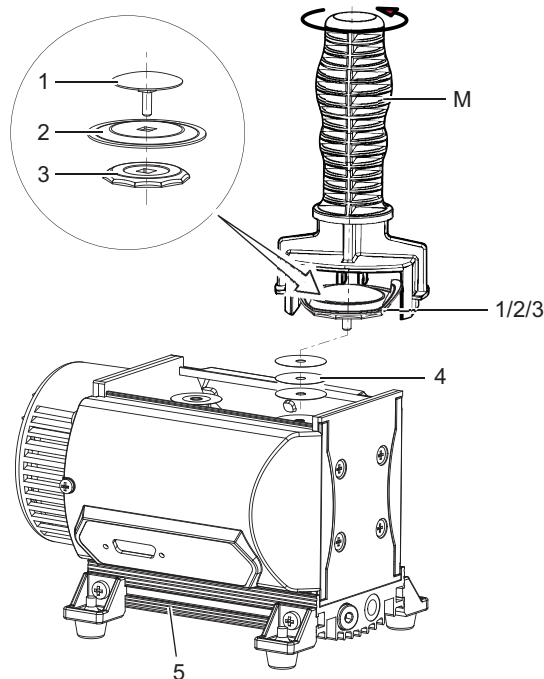


Fig. 8: Replacing the diaphragms

- | | |
|---------------------|-----------------|
| 1 Clamping washer | 4 Spacer disks |
| 2 Diaphragm | 5 Pump head 2 |
| 3 Supporting washer | M Diaphragm key |

Dismantling the diaphragms

1. Carefully bend the diaphragm up on the side and while it is bent, attach the diaphragm key to the supporting washer.
 - Do not use a sharp-edged tool.
2. Unscrew the supporting washer, diaphragm, and clamping washer.
3. Pay attention to the spacer disks under the diaphragm.
 - Reuse the original spacer disks for each installation location when remounting.
4. Remove the supporting washer and the diaphragm from the square of the clamping washer connecting screw.
 - If the diaphragm is stuck to the supporting washer, use alcohol or cleaning solvent to release it.

7.4.3 Installing the diaphragm

Required tools

- Diaphragm key **WAF 46**

Spare parts required

- Overhaul kit incl. diaphragm key

Required consumables

- Clean, dry cloth
- Alcohol or cleaning solvent, if necessary

Installing the diaphragm

1. Clean all parts with a dry, clean cloth.
2. Replace the wearing parts (valves and diaphragms) as per the spare part package.
3. Place the diaphragm (blue side up) and the supporting washer on the square of the clamping washer connecting screw.
 - Pay attention to the seating of the diaphragm in the square of the connecting screw.
4. Place the original spacer disks on the respective connection rod.
5. Tighten the supporting washer with the diaphragm key on the connection rod.

7.4.4 Installing the pump head and valves**Avoid interchanging components**

Always dismantle and mount only the pump head on one pump side in order to avoid interchanging the components.

The procedures are identical for both pump heads.

Prerequisite

- Diaphragms installed

Required tools

- Open-end wrench, **WAF 15**
- Open-end wrench, **WAF 16**
- Allen key, **WAF 4**
- Calibrated torque wrench (tightening factor ≤ 1.6)

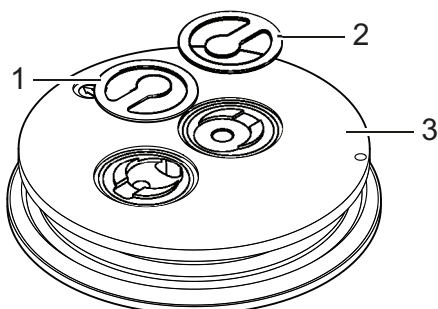


Fig. 9: Correct mounting orientation of the valves in the head cover

- | | |
|------------------|--------------|
| 1 Valve (inlet) | 3 Head cover |
| 2 Valve (outlet) | |

Procedure

1. Insert the valves into the head cover.
 - Make sure that the valves have the correct mounting orientation.
2. Mount the housing cover.
3. First, screw on the cylinder screws of the housing cover loosely by hand, alternating screws in a diagonal pattern.
4. Then tighten the cylinder screws of the housing cover, alternating screws in a diagonal pattern.
 - Tightening torque: **max. 6.0 ±1 Nm**
5. Mount the hose connection and the banjo bolts.

7.5 Checking the final pressure

The leakage rate of the vacuum pump ensures that the specified final pressure is reached and prevents the formation of potentially explosive mixtures in the interior of the vacuum pump

After the diaphragm or valve is replaced, the vacuum pump reaches the specified final pressure value only after a run-in period of several hours.



Test values

Observe the separate test specification.

- with gas ballast: < 3 hPa
- without gas ballast: < 2.0 hPa

Procedure

1. Measure the final pressure of the vacuum pump.
 - after work on the system, e.g., maintenance
 - before the vacuum pump is reinserted
2. Compare the measured final pressure with the test values and the specifications in the technical data.

Prerequisites

- Vacuum pump mounted
- Vacuum pump correctly installed electrically

Required aids

- Vacuum chamber (3 liter)
- Pressure gauge
- Flushing gas nozzle (optional)

Measure the final pressure

1. Connect a vacuum chamber (volume approx. 3 l) to a vacuum connection.
2. Also connect a pressure gauge (e.g. Pirani gauge) to the vacuum chamber on the vacuum side.
3. Operate the vacuum pump with open flushing gas nozzle (if available) for at least 2 hours.
4. If unusual noises develop, immediately switch off the vacuum pump and check the position of the clamping washers.
5. Measure the final pressure.

Comparing the ultimate pressure with the test value

1. Compare the measured ultimate pressure with the test value.
2. If the values differ significantly from the specified values after replacing the diaphragm and valve, and if there are no changes after a run-in period, perform the following steps:
 - Check the compression couplings of the connection hoses to the pump heads.
 - Check the valve seats and the suction chambers.
 - Repeat the ultimate pressure measurement.

8 Decommissioning

Before shutting down the vacuum pump, observe the following instructions to adequately protect the interior of the vacuum pump (suction chamber) from corrosion:

Procedure for temporary vacuum pump shutdowns

1. Allow the vacuum pump to run on for 5 to 10 minutes with the vacuum connection open to allow any condensate that may be present to be removed from the vacuum pump.
2. If media has entered the vacuum pump that may attack the pump materials or lead to deposits, clean the inside of the pump heads.

Procedure for longer vacuum pump shutdowns

1. Disconnect the vacuum pump from the vacuum system.
2. Remove the vacuum pump from the vacuum system if necessary.
3. Seal the vacuum connection with the original sealing plugs.
4. Store the vacuum pump in dry, dust-free rooms, within the specified ambient conditions.
5. Pack the vacuum pump together with a drying agent in a plastic bag, and seal the vacuum pump airtight if it is to be stored in rooms with damp or aggressive atmospheres.

9 Recycling and disposal

WARNING

Health hazard through poisoning from toxic contaminated components or devices

Toxic process media result in contamination of devices or parts of them. During maintenance work, there is a risk to health from contact with these poisonous substances. Illegal disposal of toxic substances causes environmental damage.

- ▶ Take suitable safety precautions and prevent health hazards or environmental pollution by toxic process media.
- ▶ Decontaminate affected parts before carrying out maintenance work.
- ▶ Wear protective equipment.



Environmental protection

You **must** dispose of the product and its components in accordance with all applicable regulations for protecting people, the environment and nature.

- Help to reduce the wastage of natural resources.
- Prevent contamination.



Environmental protection

The product and its components **must be disposed of in accordance with the applicable regulations relating to environmental protection and human health**, with a view to reducing natural resource wastage and preventing pollution.

9.1 General disposal information

Pfeiffer Vacuum products contain materials that you must recycle.

- ▶ Dispose of our products according to the following:
 - Iron
 - Aluminium
 - Copper
 - Synthetic
 - Electronic components
 - Oil and fat, solvent-free
- ▶ Observe the special precautionary measures when disposing of:
 - Fluoroelastomers (FKM)
 - Potentially contaminated components that come into contact with media

9.2 Dispose of diaphragm pumps

Pfeiffer Vacuum diaphragm pumps contain materials that you must recycle.

1. Disconnect the electronic drive unit.
2. Dismantle the motor.
3. Decontaminate the components that come into contact with process gases.
4. Separate the components into recyclable materials.
5. Recycle the non-contaminated components.
6. Dispose of the product or components in a safe manner according to locally applicable regulations.

10 Malfunctions

⚠ CAUTION

Danger of burns on hot surfaces

In the event of a fault, the surface temperature of the vacuum pump can increase to above 105°C.

- ▶ Allow the vacuum pump to cool down before carrying out any work.
- ▶ Wear personal protective equipment.
- ▶ Install suitable touch protection if the vacuum pump is accessible to untrained persons.

NOTICE

Danger of property damage from improper maintenance

Unprofessional work on the vacuum pump will lead to damage for which Pfeiffer Vacuum accepts no liability.

- ▶ We recommend taking advantage of our service training offering.
- ▶ When ordering spare parts, specify the information on the nameplate.

Should malfunctions occur, you can find information about potential causes and how to fix them here:

Problem	Possible causes	Remedy
Vacuum pump will not start up	<ul style="list-style-type: none"> • No supply voltage or voltage does not correspond to the motor data 	<ul style="list-style-type: none"> • Check the supply voltage.
	<ul style="list-style-type: none"> • Pump temperature too low 	<ul style="list-style-type: none"> • Heat the vacuum pump to a temperature of > 12°C.
	<ul style="list-style-type: none"> • Thermal protection of the motor has triggered 	<ul style="list-style-type: none"> • Determine and eliminate the cause. • Allow the vacuum pump to cool down as required.
	<ul style="list-style-type: none"> • Diaphragms or valves dirty 	<ul style="list-style-type: none"> • Clean the vacuum pump.
	<ul style="list-style-type: none"> • Overpressure in the exhaust line 	<ul style="list-style-type: none"> • If required, check and clean the exhaust line.
Vacuum pump switches off after a while after being started	<ul style="list-style-type: none"> • Thermal protection of the motor has triggered 	<ul style="list-style-type: none"> • Identify and eliminate the cause and allow vacuum pump to cool if necessary.
	<ul style="list-style-type: none"> • Exhaust pressure too high 	<ul style="list-style-type: none"> • Check exhaust line outlet opening and exhaust side accessories.
Vacuum pump does not reach the specified final pressure	<ul style="list-style-type: none"> • Condensate in the vacuum pump 	<ul style="list-style-type: none"> • Operate the vacuum pump at atmospheric pressure for a longer period.
	<ul style="list-style-type: none"> • Flushing gas nozzle open 	<ul style="list-style-type: none"> • Close the flushing gas nozzle
	<ul style="list-style-type: none"> • Soiled valves or diaphragms 	<ul style="list-style-type: none"> • If necessary, clean or replace the valves and diaphragms.
	<ul style="list-style-type: none"> • Leak in system 	<ul style="list-style-type: none"> • Locate and eliminate the leak.
Pumping speed of vacuum pump too low	<ul style="list-style-type: none"> • The intake line is not suitably dimensioned 	<ul style="list-style-type: none"> • Make sure that connections are short and cross sections adequately dimensioned.
	<ul style="list-style-type: none"> • Exhaust pressure too high 	<ul style="list-style-type: none"> • Check exhaust line outlet opening and exhaust side accessories.

Problem	Possible causes	Remedy
Unusual noises during operation	<ul style="list-style-type: none"> ● Defective valves or diaphragms 	<ul style="list-style-type: none"> ● If necessary, clean or replace the valves and diaphragms.
	<ul style="list-style-type: none"> ● Soiled suction chamber 	<ul style="list-style-type: none"> ● Clean suction chamber.
	<ul style="list-style-type: none"> ● The silencer is loose or missing 	<ul style="list-style-type: none"> ● If necessary, check or replace the silencer.
	<ul style="list-style-type: none"> ● Valves dirty or defective 	<ul style="list-style-type: none"> ● If necessary, clean or replace the valves and diaphragms.
	<ul style="list-style-type: none"> ● Connection rod or motor bearing defective 	<ul style="list-style-type: none"> ● Contact Pfeiffer Vacuum Service.

Tbl. 8: Troubleshooting on diaphragm pumps

11 Service solutions by Pfeiffer Vacuum

We offer first-class service

High vacuum component service life, in combination with low downtime, are clear expectations that you place on us. We meet your needs with efficient products and outstanding service.

We are always focused on perfecting our core competence – servicing of vacuum components. Once you have purchased a product from Pfeiffer Vacuum, our service is far from over. This is often exactly where service begins. Obviously, in proven Pfeiffer Vacuum quality.

Our professional sales and service employees are available to provide you with reliable assistance, worldwide. Pfeiffer Vacuum offers an entire range of services, from [original replacement parts](#) to [service contracts](#).

Make use of Pfeiffer Vacuum service

Whether preventive, on-site service carried out by our field service, fast replacement with mint condition replacement products, or repair carried out in a [Service Center](#) near you – you have various options for maintaining your equipment availability. You can find more detailed information and addresses on our homepage, in the [Pfeiffer Vacuum Service](#) section.

You can obtain advice on the optimal solution for you, from your [Pfeiffer Vacuum representative](#).

For fast and smooth service process handling, we recommend the following:



1. Download the up-to-date form templates.
 - [Explanations of service requests](#)
 - [Service requests](#)
 - [Contamination declaration](#)



- a) Remove and store all accessories (all external parts, such as valves, protective screens, etc.).
 - b) If necessary, drain operating fluid/lubricant.
 - c) If necessary, drain coolant.
2. Complete the service request and contamination declaration.



3. Send the forms by email, fax, or post to your local [Service Center](#).

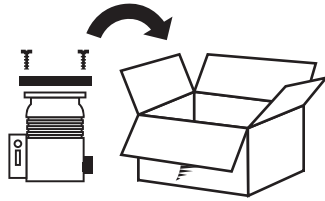


4. You will receive an acknowledgment from Pfeiffer Vacuum.

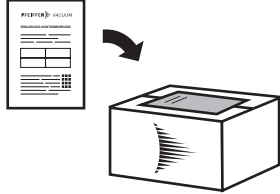
PFEIFFER VACUUM

Submission of contaminated products

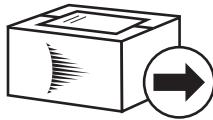
No microbiological, explosive, or radiologically contaminated products will be accepted. Where products are contaminated, or the contamination declaration is missing, Pfeiffer Vacuum will contact you before starting service work. Depending on the product and degree of pollution, **additional decontamination costs** may be incurred.



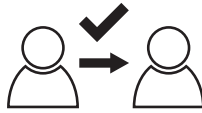
5. Prepare the product for transport in accordance with the provisions in the contamination declaration.
 - a) Neutralize the product with nitrogen or dry air.
 - b) Seal all openings with blind flanges, so that they are airtight.
 - c) Shrink-wrap the product in suitable protective foil.
 - d) Package the product in suitable, stable transport containers only.
 - e) Maintain applicable transport conditions.



6. Attach the contamination declaration to the **outside** of the packaging.



7. Now send your product to your local Service Center.



8. You will receive an acknowledgment/quotation, from Pfeiffer Vacuum.

PFEIFFER VACUUM

Our sales and delivery conditions and repair and maintenance conditions for vacuum devices and components apply to all service orders.

12 Spare parts packages

Ordering spare part packages

- ▶ Have the vacuum pump part number to hand, along with other details from the rating plate if necessary.
- ▶ Install original spare parts only.
- ▶ When ordering the inspection set, observe the respective part number of the diaphragm pump.

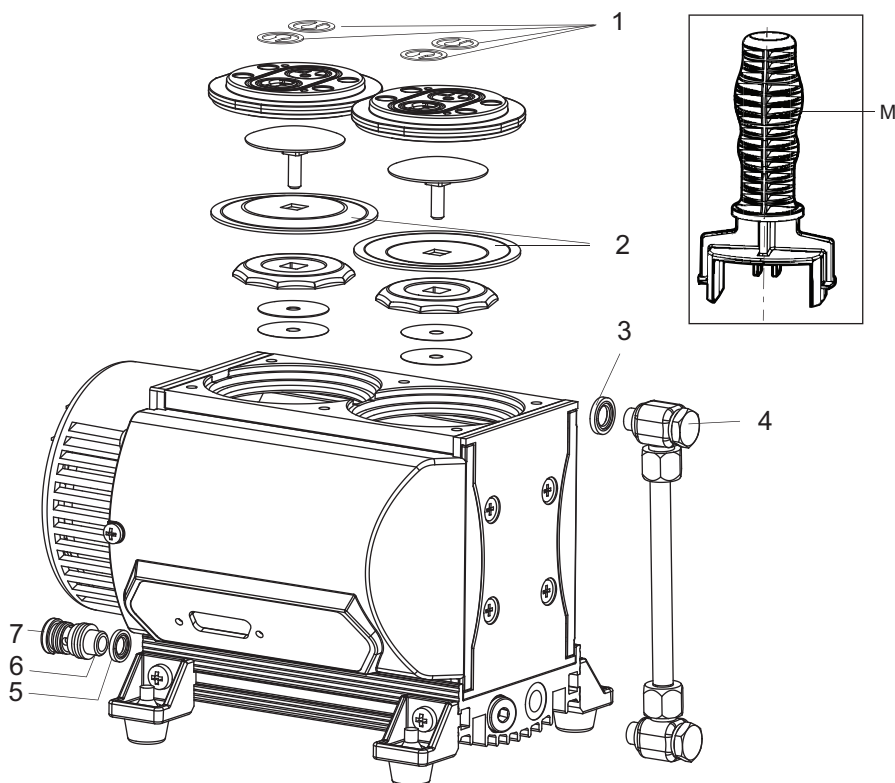


Fig. 10: Spare parts

- | | |
|----------------|-----------------|
| 1 Valves | 5 Seal |
| 2 Diaphragm | 6 Silencer |
| 3 Sealing ring | 7 Hose piece |
| 4 Banjo bolt | M Diaphragm key |

Spare parts package	Part number	comprising the following parts
Inspection set, including diaphragm key	PU E22 003 -T	Pos. 1 (8×) Pos. 2 (4×) Pos. 7 (1×) Pos. M
Sealing ring	P 3529 133 -P	Pos. 3
Banjo bolt	P 0995 943	Pos. 4
Silencer incl. hose piece	P 0995 942	Pos. 6, 7
Diaphragm key	P 0995 941	Pos. M

Tbl. 9: Spare part package diaphragms and valves

Spare parts package	Part number	comprising the following parts
Spare part package fan	PU E22 020 -T	Fan, fan hood

Tbl. 10: Spare part package fan

Spare parts packages

Spare parts package	Part number	comprising the following parts
Filter	P 0105 405	Flushing gas nozzle filter

Tbl. 11: Spart part package flushing gas nozzle

13 Accessories

13.1 Accessory information

Mains cable

Mains cables provide a secure and suitable connection.

Screw-in flange

Screw-in flange, including seal for the intake side of the vacuum pump

Flushing gas nozzle

Avoids moisture accumulating in the vacuum pump

13.2 Ordering accessories

Selection field	Part number
Mains cable 230 V AC, CEE 7/7 to C13, 3 m	P 4564 309 ZA
Mains cable 115 V AC, NEMA 5-15 to C13, 3 m	P 4564 309 ZE
Mains cable 208 V AC, NEMA 6-15 to C13, 3 m	P 4564 309 ZF
Screwing flange DN 16 ISO-KF / 1/8" thread incl. seal	PK 050 108 -T
Flushing gas nozzle with filter for MVP 020-3 / MVP 030-3	PK 050 304 -U

Tbl. 12: Accessories

14 Technical data and dimensions

14.1 General

Basis for the technical data of Pfeiffer Vacuum diaphragm pumps:

- Specifications according to PNEUROP committee PN5
- ISO 21360:2012: "Vacuum technology - Standard methods for measuring vacuum-pump performance - General description"

The following harmonized standards are fulfilled:

- IEC 61010-1
- UL 61010-1
- CSA 61010-1

	mbar	bar	Pa	hPa	kPa	Torr mm Hg
mbar	1	$1 \cdot 10^{-3}$	100	1	0.1	0.75
bar	1000	1	$1 \cdot 10^5$	1000	100	750
Pa	0.01	$1 \cdot 10^{-5}$	1	0.01	$1 \cdot 10^{-3}$	$7.5 \cdot 10^{-3}$
hPa	1	$1 \cdot 10^{-3}$	100	1	0.1	0.75
kPa	10	0.01	1000	10	1	7.5
Torr mm Hg	1.33	$1.33 \cdot 10^{-3}$	133.32	1.33	0.133	1

1 Pa = 1 N/m²

Tbl. 13: Conversion table: Pressure units

	mbar l/s	Pa m ³ /s	sccm	Torr l/s	atm cm ³ /s
mbar l/s	1	0.1	59.2	0.75	0.987
Pa m ³ /s	10	1	592	7.5	9.87
sccm	$1.69 \cdot 10^{-2}$	$1.69 \cdot 10^{-3}$	1	$1.27 \cdot 10^{-2}$	$1.67 \cdot 10^{-2}$
Torr l/s	1.33	0.133	78.9	1	1.32
atm cm ³ /s	1.01	0.101	59.8	0.76	1

Tbl. 14: Conversion table: Units for gas throughput

14.2 Technical data

Type designation	MVP 020-3 AC	MVP 020-3 AC	MVP 020-3 AC	MVP 020-3 AC
Part number	PK T01 101	PK T01 103	PK T01 104	PK T01 110
Number of pumping stages	4	4	4	4
Connection flange (in)	G 1/8"	G 1/8"	G 1/8"	G 1/8", 1m intake hose DN8, lock nut, red rubber cap
Connection flange (out)	1/8" thread with silencer	1/8" thread with silencer	G 1/8"	1/8" thread with silencer
Pumping speed at 60 Hz	1.4 m ³ /h	1.4 m ³ /h	1.4 m ³ /h	1.4 m ³ /h
Pumping speed at 50 Hz	1.2 m ³ /h	1.2 m ³ /h	1.2 m ³ /h	1.2 m ³ /h
Final pressure without gas ballast	2 hPa	2 hPa	2 hPa	2 hPa
Final pressure with gas ballast	3 hPa	3 hPa	3 hPa	3 hPa

Type designation	MVP 020-3 AC	MVP 020-3 AC	MVP 020-3 AC	MVP 020-3 AC
Gas ballast	Available as an accessory	Yes	Available as an accessory	Available as an accessory
Intake pressure max.	1100 hPa	1100 hPa	1100 hPa	1100 hPa
Exhaust pressure, max.	1100 hPa	1100 hPa	1100 hPa	1100 hPa
Integral leakage rate	$1 \cdot 10^{-2}$ Pa m ³ /s	$1 \cdot 10^{-2}$ Pa m ³ /s	$1 \cdot 10^{-2}$ Pa m ³ /s	$1 \cdot 10^{-2}$ Pa m ³ /s
Input voltage(s)	100 – 115 / 220 – 230 V AC, 50 Hz // 100 – 115 / 120 / 220 – 230 V AC (±10 %), 60 Hz	100 – 115 / 220 – 230 V AC, 50 Hz // 100 – 115 / 120 / 220 – 230 V AC (±10 %), 60 Hz	100 – 115 / 220 – 230 V AC, 50 Hz // 100 – 115 / 120 / 220 – 230 V AC (±10 %), 60 Hz	100 – 115 / 220 – 230 V AC, 50 Hz // 100 – 115 / 120 / 220 – 230 V AC (±10 %), 60 Hz
Input voltage: tolerance	±10 %	±10 %	±10 %	±10 %
Rated current consumption	0.85 A	0.85 A	0.85 A	0.85 A
Current, max.	1.7 A	1.7 A	1.7 A	1.7 A
Rotation speed at 50 Hz	1500 rpm	1500 rpm	1500 rpm	1500 rpm
Rotation speed at 60 Hz	1800 rpm	1800 rpm	1800 rpm	1800 rpm
Sound pressure level	48 dB(A)	48 dB(A)	48 dB(A)	48 dB(A)
Motor type	1-ph motor	1-ph motor	1-ph motor	1-ph motor
Motor protection	Thermal winding protection	Thermal winding protection	Thermal winding protection	Thermal winding protection
Cooling method	Air	Air	Air	Air
Operating altitude, max.	2000 m	2000 m	2000 m	2000 m
Protection degree	IP40, Type 1	IP40, Type 1	IP40, Type 1	IP40, Type 1
Ambient temperature	10 – 40 °C	10 – 40 °C	10 – 40 °C	10 – 40 °C
Temperature: Storage	-10 – 60 °C	-10 – 60 °C	-10 – 60 °C	-10 – 60 °C
Temperature: Shipping	-10 – 60 °C	-10 – 60 °C	-10 – 60 °C	-10 – 60 °C
Degree of pollution	2	2	2	2
Weight	7.3 kg	7.3 kg	7.3 kg	7.3 kg

Tbl. 15: Technical data MVP 020-3 AC

14.3 Substances in contact with the media

Pump parts	Substances in contact with the media
Housing cover	Aluminum alloy (AlMgSi)
Head cover	Aluminum alloy (AlMgSi)
Diaphragm clamping disk	Aluminum alloy (AlMgSi)
Diaphragm	FPM, PTFE-coated
Valves	FPM
Inlet	Aluminum alloy (AlMgSi)
Outlet	Aluminum / silicone rubber

Pump parts	Substances in contact with the media
Threaded hose couplings	Anodized aluminum
Hose	Polyethylene (PE), highly crosslinked

Tbl. 16: Materials that make contact with the process media

14.4 Dimensions

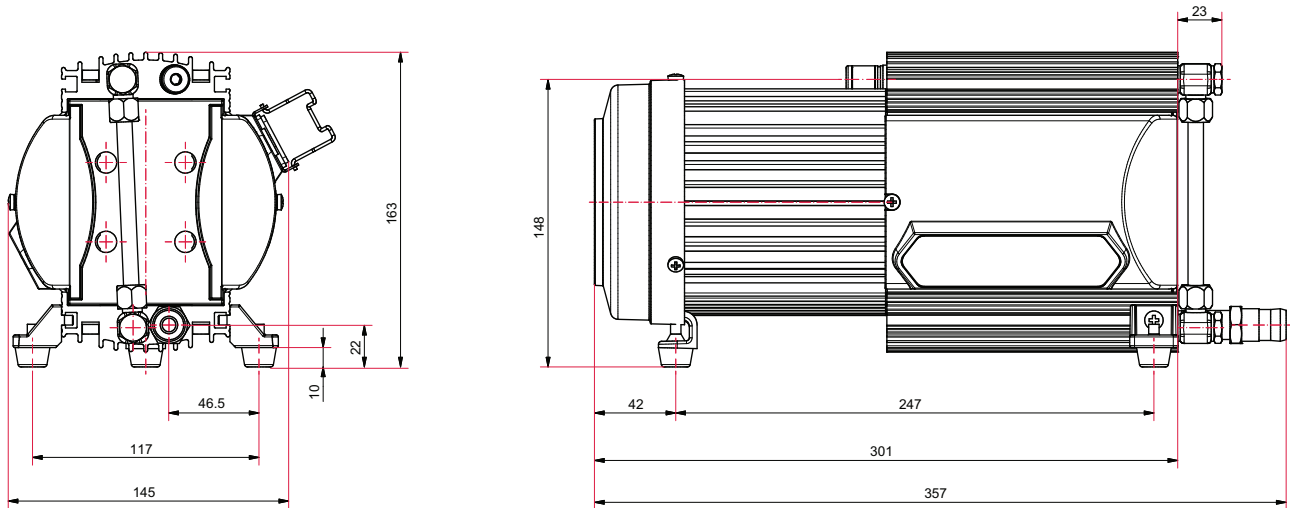


Fig. 11: Dimensions PK T01 101 A
Dimensions in mm

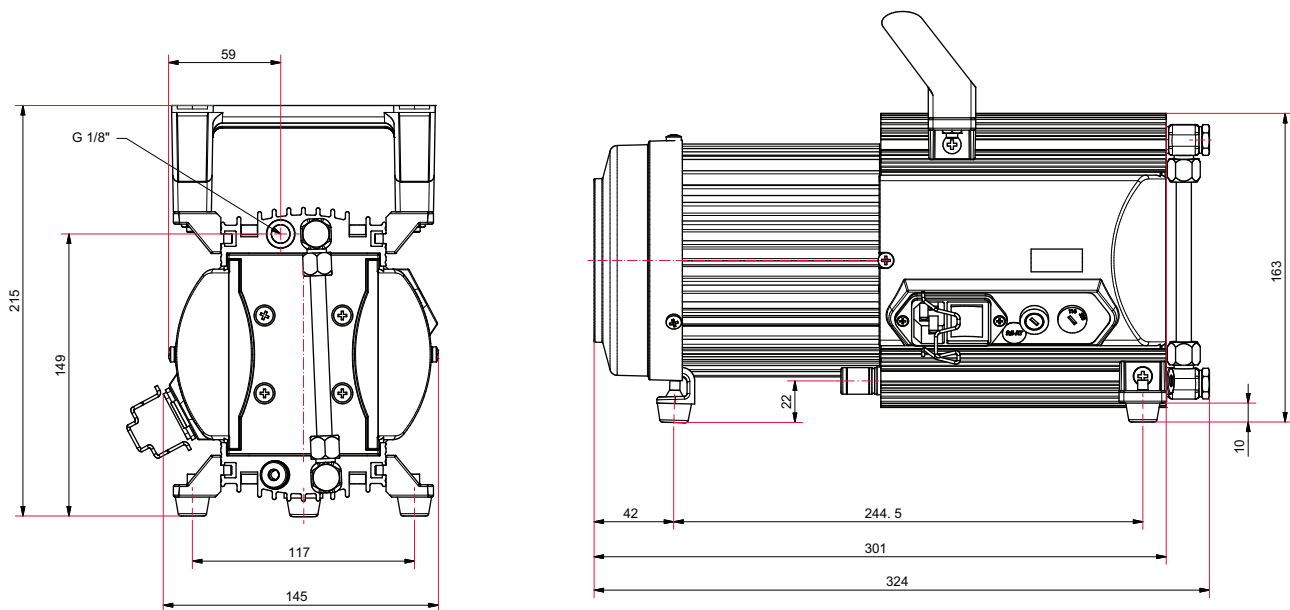


Fig. 12: Dimensions PK T01 103 A | PK T01 104 A | PK T01 110 A
Dimensions in mm

Declaration of conformity

Declaration for product(s) of the type:

Diaphragm pump

MVP 020-3 AC

We hereby declare that the listed product satisfies all relevant provisions of the following **European Directives**.

Machinery 2006/42/EC (Annex II, no. 1 A)

Electromagnetic compatibility 2014/30/EU

Restriction of the use of certain hazardous substances 2011/65/EU

Restriction of the use of certain hazardous substances, delegated directive 2015/863/EU

Harmonized standards and applied national standards and specifications:

DIN EN ISO 12100:2011

DIN EN IEC 63000:2019

DIN EN 1012-2:2011

DIN EN 61010-1:2011

DIN EN 61326-1:2013

IEC 61010-1:2010 (Ed. 3)

The authorized representative for the compilation of technical documents is
Dr. Adrian Wirth, Pfeiffer Vacuum GmbH, Berliner Straße 43, 35614 Asslar, Germany.

Signature:



(Daniel Sälzer)
Managing Director

Pfeiffer Vacuum GmbH
Berliner Straße 43
35614 Asslar
Germany

Asslar, 2020-09-23



VACUUM SOLUTIONS FROM A SINGLE SOURCE

Pfeiffer Vacuum stands for innovative and custom vacuum solutions worldwide, technological perfection, competent advice and reliable service.

COMPLETE RANGE OF PRODUCTS

From a single component to complex systems:

We are the only supplier of vacuum technology that provides a complete product portfolio.

COMPETENCE IN THEORY AND PRACTICE

Benefit from our know-how and our portfolio of training opportunities!

We support you with your plant layout and provide first-class on-site service worldwide.

ed. T - Date 2109 - P/N:PK0217BEN



Are you looking for a
perfect vacuum solution?
Please contact us

Pfeiffer Vacuum GmbH
Headquarters • Germany
T +49 6441 802-0
info@pfeiffer-vacuum.de

www.pfeiffer-vacuum.com

PFEIFFER  **VACUUM**