



# ASM 310, universal voltage

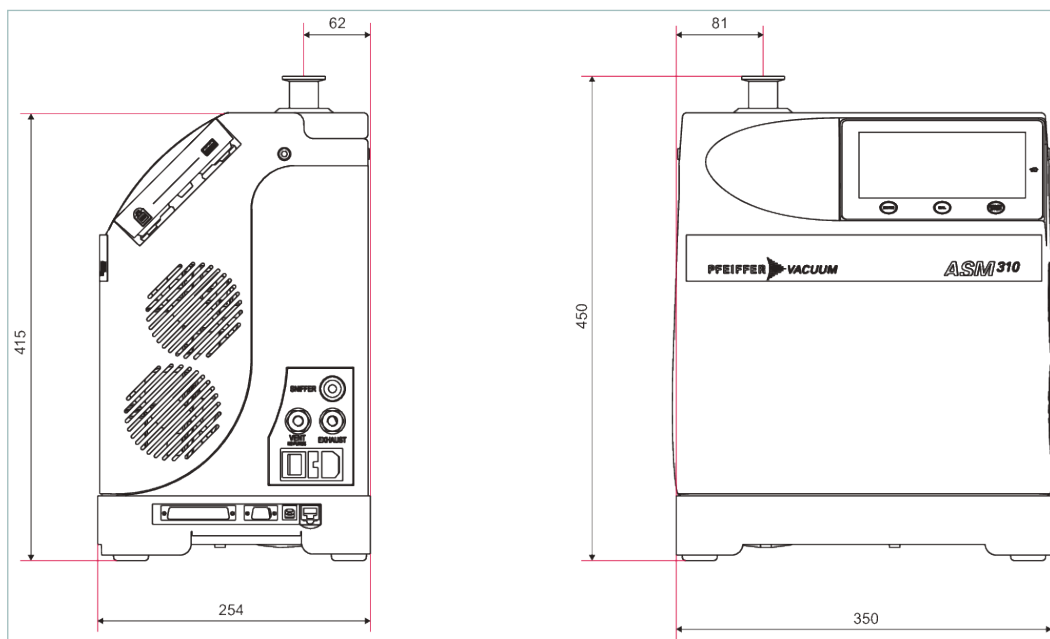


Similar Image

## ASM 310, universal voltage

- Oil free pumping system, roughing capacity 1.7 m<sup>3</sup>/h
- Ultralight, only 21 kg (46 lbs) and easy to move
- Large bright color touchscreen with graphics functionality
- Intuitive and customizable menu
- Recording capacities with data export through dedicated USB port

### Dimensions



| Technical Data   | ASM 310, universal voltage  |
|--|---|
| Backing pump   | with oil free backing pump  |
| Backing pump capacity  | 1.7 m <sup>3</sup> /h   1 cfm   28.33 l/min                                 |
| Connection flange (in)   | DN 25 ISO-KF  |
| Detectable gases   | <sup>4</sup> He, <sup>3</sup> He, H <sub>2</sub>                            |
| Dimensions (L x W x H)   | 350 x 254 x 415 mm   13.78 x 10 x 16.34 inch                                |
| I/O interfaces   | RS-232  |
| I/O-interfaces   | Standard 15 pins I/O  |
| Interface: Connection, device side                                   | Basic 15 pins I/O   |
| Minimum detectable leakage rate for helium (sniffing leak detection) | 1 · 10 <sup>-8</sup> Pa m <sup>3</sup> /s   7.5 · 10 <sup>-8</sup> Torr l/s |
| Minimum detectable leakage rate for helium (vacuum leak detection)   | 1 · 10 <sup>-13</sup> Pa m <sup>3</sup> /s                                  |
| Operating temperature  | 10-40 °C   50-104 °F   283-313 K  |
| Power consumption max.   | 300 W   |
| Pumping speed for He   | 1.1 l/s   |
| Response time (sniffing leak detection)                              | <math>\leq 1</math> s   |
| Sound power  | 45 dB(A)  |
| Sound pressure level   | <math>< 45</math> dB(A)   |
| Start-up time (20°C) with calibration                                | 3.5 min   |
| Start-up time (20°C) without calibration                             | 2 min   |
| Supply   | 90 – 240 V, 50/60 Hz  |
| Test method  | Vacuum and sniffing leak detection  |
| User interface   | Graphic color touch screen (detachable)                                     |

| Technical Data | ASM 310, universal voltage |
|----------------|----------------------------|
| Weight         | 21 kg   46.3 lb            |

| Order number |              |
|--------------|--------------|
| ASM 310      | BSAA0200MM9A |

| Accessories   |          |
|---|----------|
| <b>Cables Mains cables / Power cords</b>                                  |          |
| Mains cable, 2.5 m, Switzerland   | 103718   |
| Mains cable, 2.5 m, U.K.  | 104411   |
| Mains cable, 2 m, Italy   | 104758   |
| <b>Control Devices Remote controls</b>                                    |          |
| Remote control RC 10, wired/wireless, for ASM and ASI leak detectors      | 124193   |
| <b>Sniffing/Spraying Helium pistols/ spray guns</b>                       |          |
| Helium spray gun "Elite", spray gun with additional accessories in a case | 109951   |
| Helium spray gun, standard  | 112535   |
| <b>Sniffing/Spraying Sniffer probes</b>                                   |          |
| Sniffer probe, 5 m hose length and rigid 9 cm nozzle                      | SNC1E1T1 |
| Sniffer probe, 10 m hose length, rigid 9 cm nozzle                        | SNC2E1T1 |
| <b>Transport Transportation accessories</b>                               |          |
| Trolley with two wheels   | 114820   |
| Transport case to safeguard the ASM 310 against shipping damage           | 119594   |

## **VACUUM SOLUTIONS FROM A SINGLE SOURCE**

Pfeiffer Vacuum stands for innovative and custom vacuum solutions worldwide, technological perfection, competent advice and reliable service.

## **COMPLETE RANGE OF PRODUCTS**

From a single component to complex systems:

We are the only supplier of vacuum technology that provides a complete product portfolio.

## **COMPETENCE IN THEORY AND PRACTICE**

Benefit from our know-how and our portfolio of training opportunities!

We support you with your plant layout and provide first-class on-site service worldwide.

Are you looking for a  
perfect vacuum solution?  
Please contact us:

**Pfeiffer Vacuum GmbH**  
Headquarters · Germany  
T +49 6441 802-0  
info@pfeiffer-vacuum.de

[www.pfeiffer-vacuum.com](http://www.pfeiffer-vacuum.com)

All data subject to change without prior notice.

**PFEIFFER**  **VACUUM**