



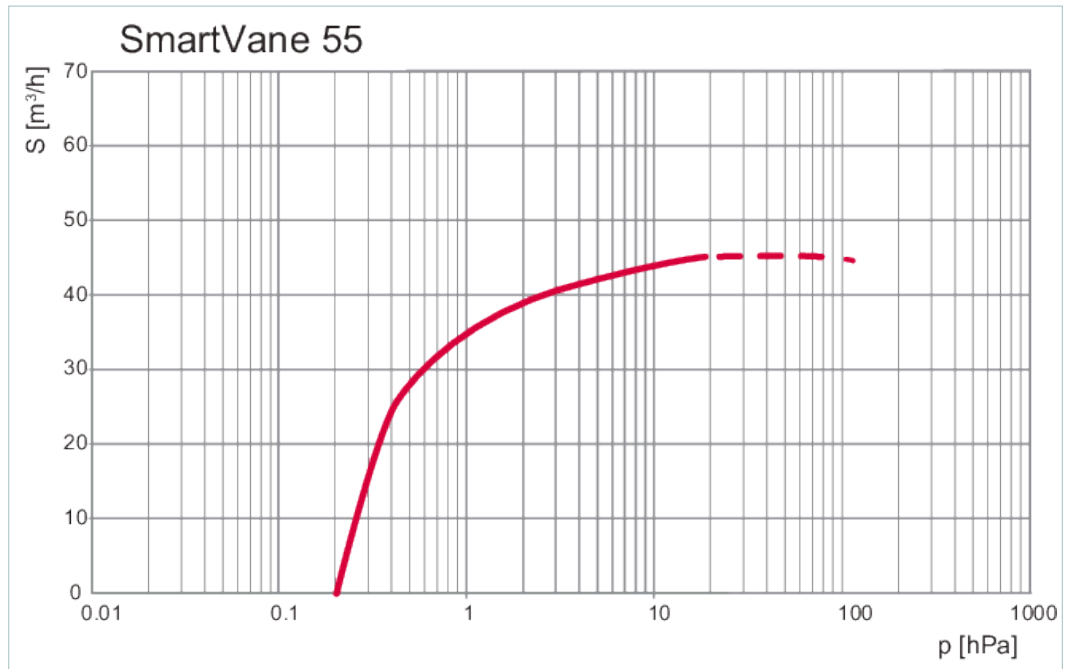
**SmartVane 55, 1-ph motor,
100–127 V | 200–240 V, 50/60 Hz**



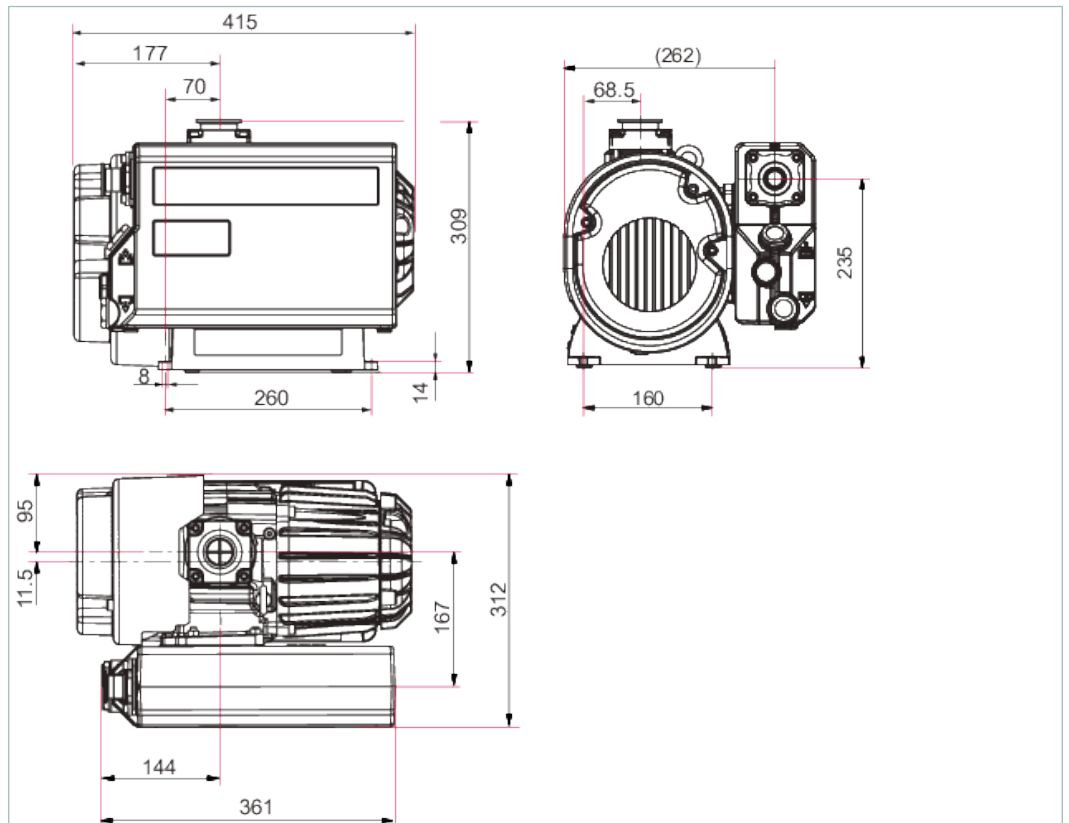
Similar Image

SmartVane 55, 1-ph motor, 100–127 V | 200–240 V, 50/60 Hz

- Powerful rotary vane pump with a pumping speed up to 50 m³/h
- 1-phase motor for 100-127 | 200–240 V, 50/60 Hz
- Integrated vacuum non-return valve
- Ideal for laboratory applications



Dimensions



Technical Data	SmartVane 55, 1-ph motor, 100–127 V 200–240 V, 50/60 Hz
Protection degree	IP20
Final pressure without gas ballast	$\leq 2 \cdot 10^{-1}$ hPa $\leq 1.5 \cdot 10^{-1}$ Torr $\leq 2 \cdot 10^{-1}$ mbar
Connection flange (in)	DN 40 ISO-KF
Connection flange (out)	DN 25 ISO-KF
Motor type	1-ph motor
Mains cable	No, C16-plug inside the terminal box
Cooling method	Air Forced convection
Ambient temperature	15-45 °C 59-113 °F 288-318 K
Continuous inlet pressure, max.	15 hPa 11.25 Torr 15 mbar
Exhaust pressure, max.	Atmospheric pressure
Exhaust pressure, min.	Atmospheric pressure
Gas ballast	No
Operating fluid	H1
Operating fluid amount	1.75 l
Dimensions (L x W x H)	415 x 312 x 309 mm 16.34 x 12.28 x 12.17 inch
Weight	36 kg 79.37 lb

Order number	
SmartVane 55	PK D80 000

Accessories	
Adapters (electrical) RS-232/485	
Y-connector M12 for RS-485	P 4723 010
USB RS-485 converter	PM 061 207 -T
Cables Connection cables	
Adapter RS485 M12	PE 100 150 -X
Cables RS-485 Interface cables	
Interface cable, M12 m straight / M12 m straight, 3 m	PM 061 283 -T
Monitoring Saturation indicators	
Manometer for monitoring the operating fluid separator G 3/4"	PK 100 126
Other	
Mains cable 230 V AC, CEE 7/7 to C15, 3 m	PK 050 343
Mains cable 115 V AC, NEMA 5-15 to C15, 3 m	PK 050 344
Protection Activated carbon filters	
FAK 040, activated carbon filter	PK Z30 008
Protection Condensate separators	
KAS 40, condensate separator for pumping speeds up to 120 m ³ /h	PK Z10 008
Protection Dust separators/Inlet particle filters	
SAS 40, dust separator, DN 40 ISO-KF	PK Z60 510

VACUUM SOLUTIONS FROM A SINGLE SOURCE

Pfeiffer Vacuum stands for innovative and custom vacuum solutions worldwide, technological perfection, competent advice and reliable service.

COMPLETE RANGE OF PRODUCTS

From a single component to complex systems:

We are the only supplier of vacuum technology that provides a complete product portfolio.

COMPETENCE IN THEORY AND PRACTICE

Benefit from our know-how and our portfolio of training opportunities!

We support you with your plant layout and provide first-class on-site service worldwide.

Are you looking for a
perfect vacuum solution?
Please contact us:

Pfeiffer Vacuum GmbH
Headquarters · Germany
T +49 6441 802-0
info@pfeiffer-vacuum.de

www.pfeiffer-vacuum.com

All data subject to change without prior notice.

PFEIFFER  **VACUUM**