



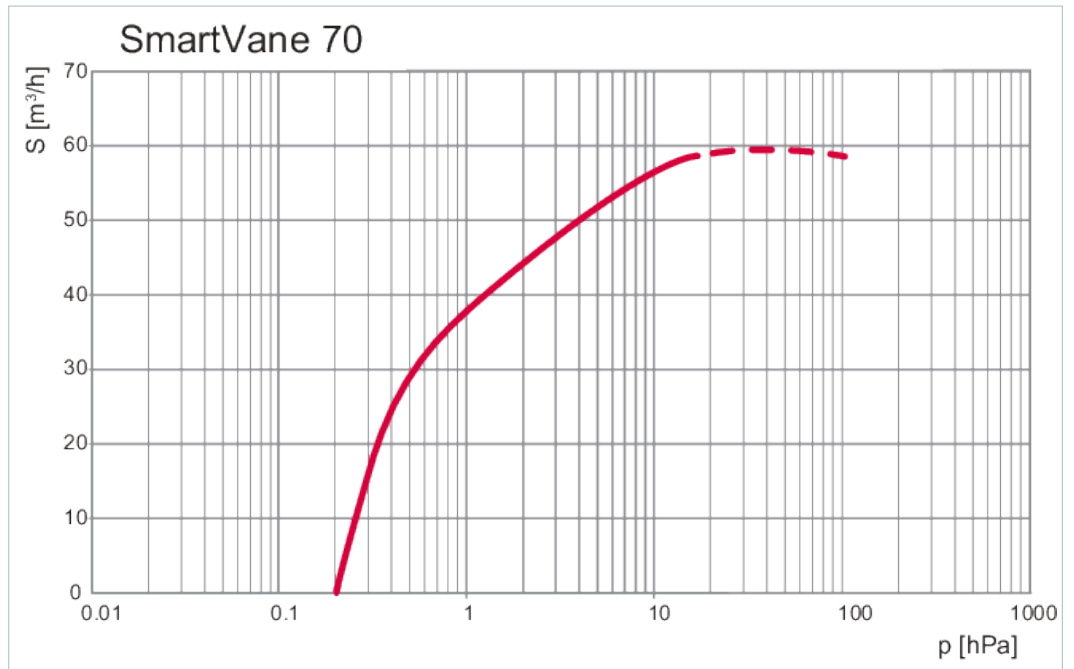
**SmartVane 70, 1-ph motor,  
100–127 V | 200–240 V, 50/60 Hz**



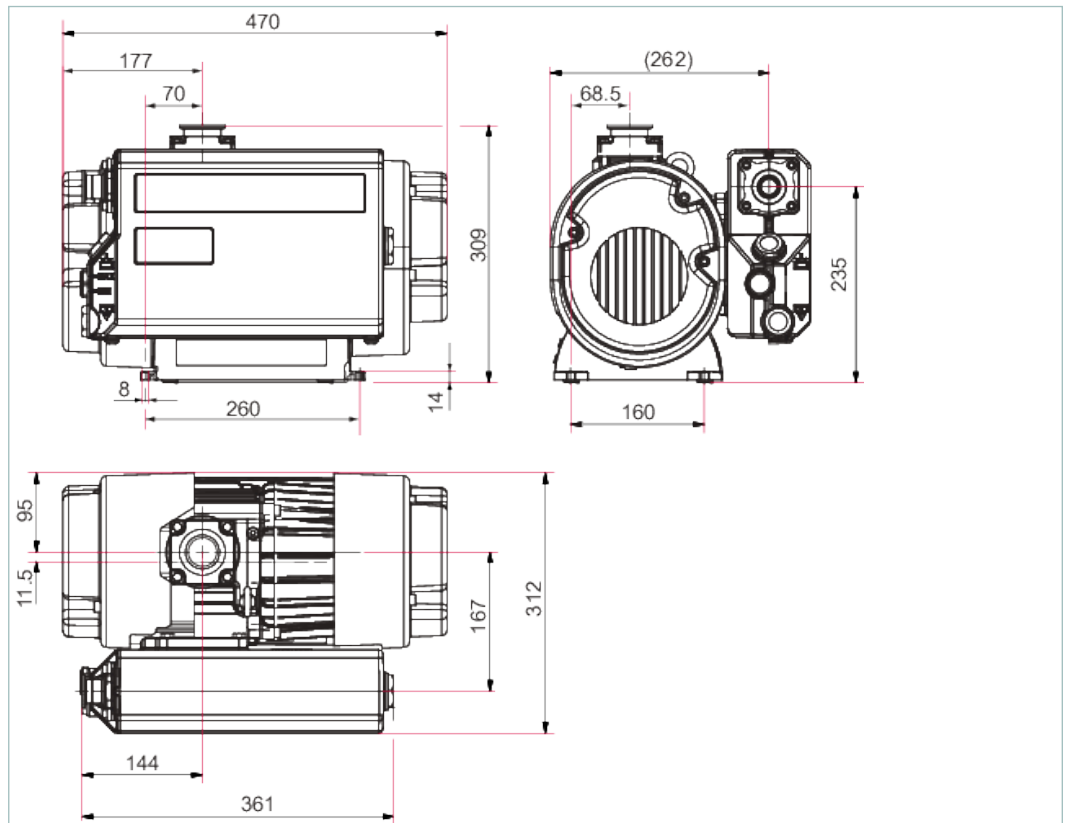
Similar Image

## SmartVane 70, 1-ph motor, 100–127 V | 200–240 V, 50/60 Hz

- Powerful rotary vane pump with a pumping speed up to 70 m<sup>3</sup>/h
- 1-phase motor for 100–127 | 200–240 V, 50/60 Hz
- Integrated vacuum non-return valve
- Ideal for laboratory applications



### Dimensions



Technical Data	SmartVane 70, 1-ph motor, 100–127 V   200–240 V, 50/60 Hz
Protection degree	IP20
Final pressure without gas ballast	$\leq 2 \cdot 10^{-1}$ hPa   $\leq 1.5 \cdot 10^{-1}$ Torr   $\leq 2 \cdot 10^{-1}$ mbar
Connection flange (in)	DN 40 ISO-KF
Connection flange (out)	DN 25 ISO-KF
Motor type	1-ph motor
Mains cable	No, C16-plug inside the terminal box
Cooling method	Air Forced convection
Ambient temperature	15-45 °C   59-113 °F   288-318 K
Continuous inlet pressure, max.	15 hPa   11.25 Torr   15 mbar
Exhaust pressure, max.	Atmospheric pressure
Exhaust pressure, min.	Atmospheric pressure
Gas ballast	No
Operating fluid	H1
Operating fluid amount	1.75 l
Dimensions (L x W x H)	470 x 312 x 309 mm   18.5 x 12.28 x 12.17 inch
Weight	37 kg   81.57 lb

Order number	
SmartVane 70	PK D81 000

Accessories	
<b>Adapters (electrical) RS-232/485</b>	
Y-connector M12 for RS-485	P 4723 010
USB RS-485 converter	PM 061 207 -T
<b>Cables Connection cables</b>	
Adapter RS485 M12	PE 100 150 -X
<b>Cables RS-485 Interface cables</b>	
Interface cable, M12 m straight / M12 m straight, 3 m	PM 061 283 -T
<b>Monitoring Saturation indicators</b>	
Manometer for monitoring the operating fluid separator G 3/4"	PK 100 126
<b>Other</b>	
Mains cable 230 V AC, CEE 7/7 to C15, 3 m	PK 050 343
Mains cable 115 V AC, NEMA 5-15 to C15, 3 m	PK 050 344
<b>Protection Activated carbon filters</b>	
FAK 040, activated carbon filter	PK Z30 008
<b>Protection Condensate separators</b>	
KAS 40, condensate separator for pumping speeds up to 120 m <sup>3</sup> /h	PK Z10 008
<b>Protection Dust separators/Inlet particle filters</b>	
SAS 40, dust separator, DN 40 ISO-KF	PK Z60 510

## **VACUUM SOLUTIONS FROM A SINGLE SOURCE**

Pfeiffer Vacuum stands for innovative and custom vacuum solutions worldwide, technological perfection, competent advice and reliable service.

## **COMPLETE RANGE OF PRODUCTS**

From a single component to complex systems:

We are the only supplier of vacuum technology that provides a complete product portfolio.

## **COMPETENCE IN THEORY AND PRACTICE**

Benefit from our know-how and our portfolio of training opportunities!

We support you with your plant layout and provide first-class on-site service worldwide.

Are you looking for a  
perfect vacuum solution?  
Please contact us:

**Pfeiffer Vacuum GmbH**  
Headquarters · Germany  
T +49 6441 802-0  
info@pfeiffer-vacuum.de

[www.pfeiffer-vacuum.com](http://www.pfeiffer-vacuum.com)

All data subject to change without prior notice.

**PFEIFFER**  **VACUUM**