



PKR 360 C, low current, ceramic coated, DN 25 ISO-KF

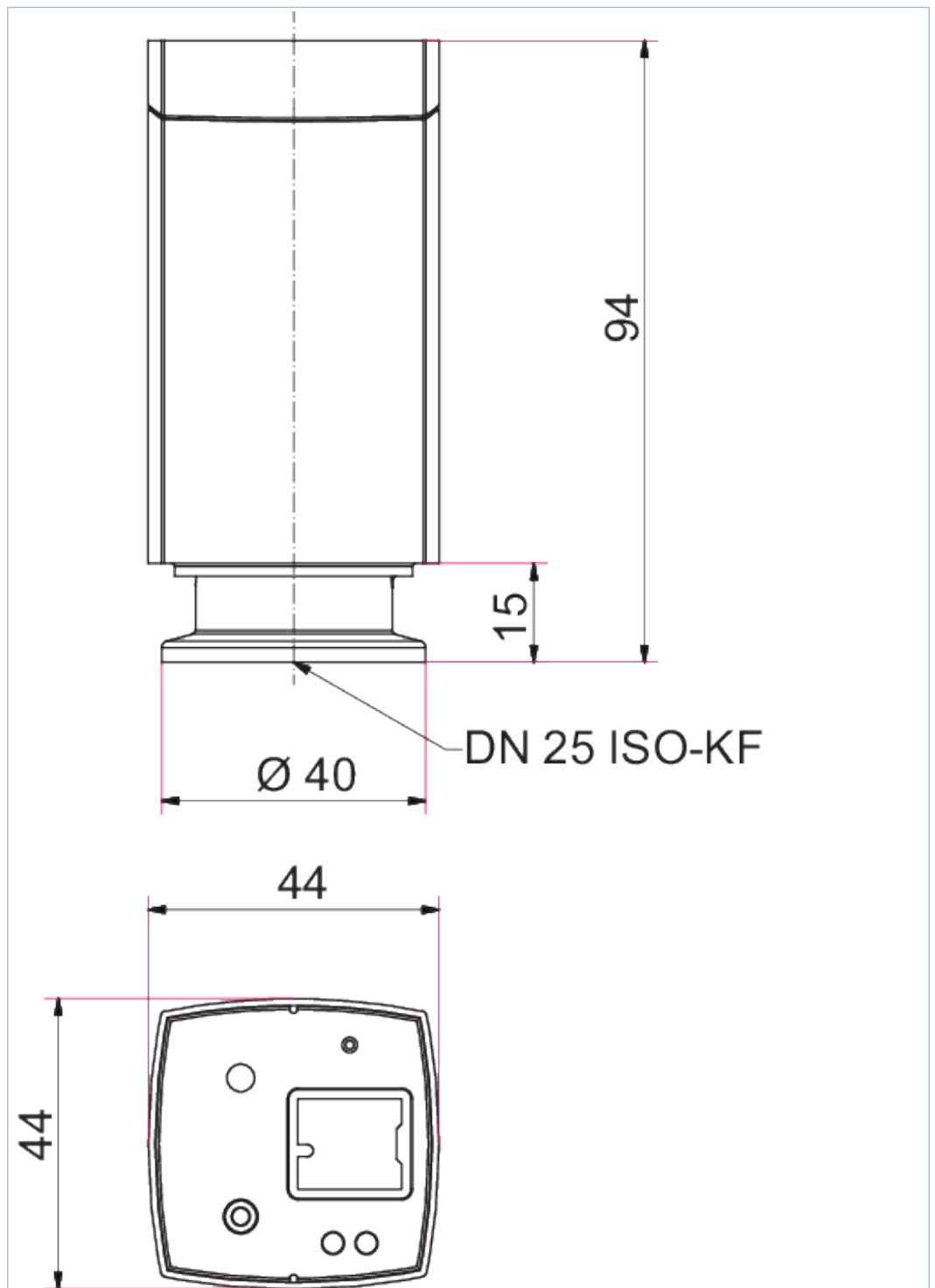


Similar Image

PKR 360 C, low current, ceramic coated, DN 25 ISO-KF

- Rugged and dependable
- Insensitive to air ingress
- Without elastomer seal
- The maximum pressure applies to inert gases and temperatures below 55 °C
- For measuring corrosive media

Dimensions



Technical Data	PKR 360 C, low current, ceramic coated, DN 25 ISO-KF
Ambient temperature	5-55 °C 41-131 °F 278-328 K
Anode	Mo
Attribute	Corrosion resistant
Bakeout temperature	Electronics removed 150 °C Electronics removed 302 °F Electronics removed 423 K
Feedthrough	Glass, ceramic coated
Filament	Tungsten
Flange, material	Stainless Steel 1.4435
Measurement cable length	300 m
Measuring method	Pirani/Cold Cathode
Measuring range	$1 \cdot 10^{-9} - 1 \cdot 10^3$ hPa
Nominal diameter	DN 25 ISO KF
Output signal: Measuring range	2 – 8.6 V
Output signal: Minimum load	10 kΩ
Precision: $1 \cdot 10^{-8} - 1 \cdot 100$ hPa	± 30 %
Pressure max.	10,000 hPa 7,500 Torr 10,000 mbar
Repeatability: $1 \cdot 10^{-8} - 100$ hPa	± 5 %
Supply: consumption max.	2 W
Supply: Voltage V DC	14.5 – 30 V DC
Temperature: Storage	-40-70 °C -40-158 °F 233-343 K
Volume	19.9 cm ³
Weight	280 g

Order number	
PKR 360 C	PT T02 140 011

Accessories	
Adapters (electrical) Adapter Measurement	
Mating connector, 6 pole	B4707283MA
Monitoring Pressure Sensors	
Measurement cable, 3 m	PT 448 250 -T

VACUUM SOLUTIONS FROM A SINGLE SOURCE

Pfeiffer Vacuum stands for innovative and custom vacuum solutions worldwide, technological perfection, competent advice and reliable service.

COMPLETE RANGE OF PRODUCTS

From a single component to complex systems:

We are the only supplier of vacuum technology that provides a complete product portfolio.

COMPETENCE IN THEORY AND PRACTICE

Benefit from our know-how and our portfolio of training opportunities!

We support you with your plant layout and provide first-class on-site service worldwide.

Are you looking for a
perfect vacuum solution?
Please contact us:

Pfeiffer Vacuum GmbH
Headquarters · Germany
T +49 6441 802-0
info@pfeiffer-vacuum.de

www.pfeiffer-vacuum.com

All data subject to change without prior notice.

PFEIFFER  **VACUUM**