



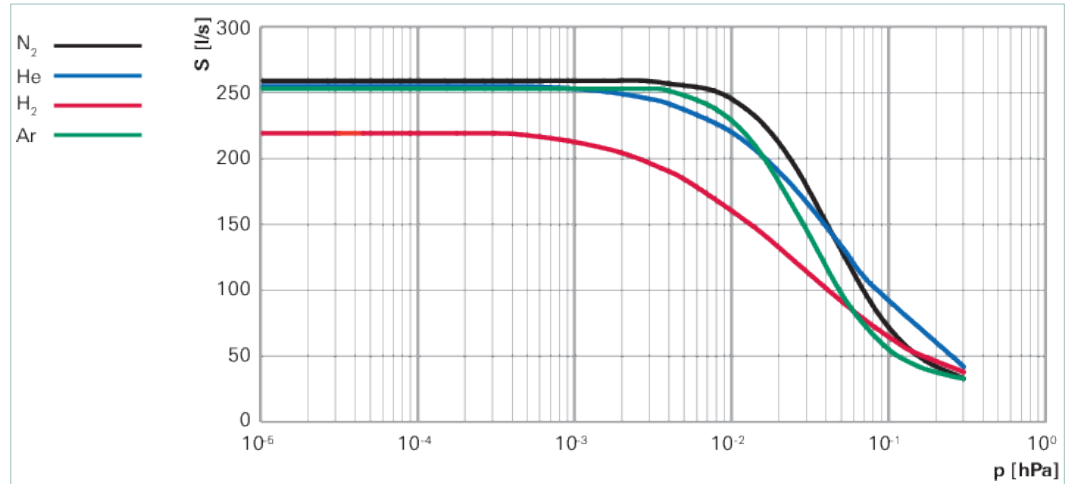
HiPace[®] 300 Plus with TC 110, DN 100 ISO-F



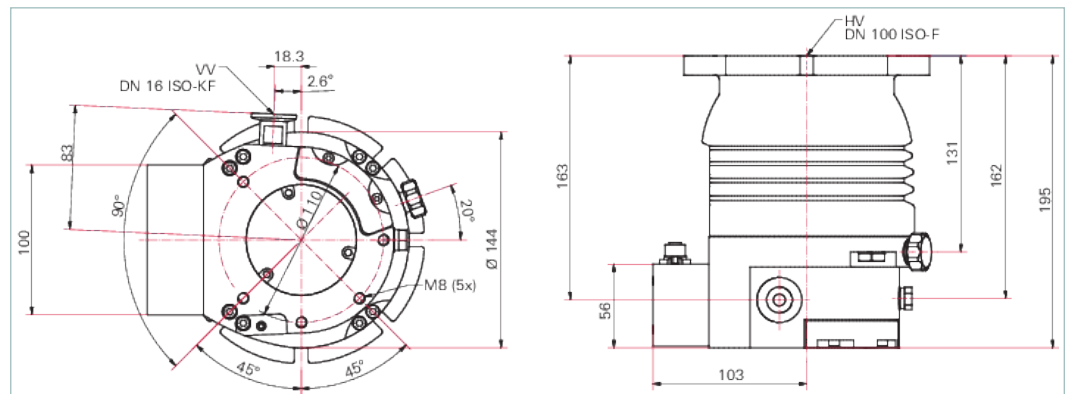
Similar Image

HiPace® 300 Plus with TC 110, DN 100 ISO-F

- Compact yet powerful turbopump with a pumping speed of up to 260 l/s for N₂
- Integrated TC 110 drive electronics
- Low vibration and magnetic field - ideal for analytical systems with high requirements
- Extensive accessories expand the range of applications
- Ideal for use with Pfeiffer Vacuum vibration insulator



Dimensions



Technical Data	HiPace® 300 Plus with TC 110, DN 100 ISO-F
Bearing	Hybrid
Compression ratio for Ar	$> 1 \cdot 10^{11}$
Compression ratio for H ₂	$9 \cdot 10^5$
Compression ratio for He	$> 1 \cdot 10^8$
Compression ratio for N ₂	$> 1 \cdot 10^{11}$
Connection flange (in)	DN 100 ISO-F
Connection flange (out)	DN 16 ISO-KF/G 1/4"
Cooling method	Air
Cooling method, optional	Water
Cooling water flow	50 l/h
Cooling water flow, max.	50 l/h
Cooling water flow, min.	50 l/h
Cooling water temperature	15-35 °C 59-95 °F 288-308 K
Current, max.	7,5 A
Electronic drive unit	TC 110

Technical Data	HiPace® 300 Plus with TC 110, DN 100 ISO-F
Final pressure	$< 1 \cdot 10^{-7}$ hPa $< 7.5 \cdot 10^{-8}$ Torr $< 1 \cdot 10^{-7}$ mbar
Fore-vacuum max. for N ₂	15 hPa 11.25 Torr 15 mbar
Gas throughput at final rotation speed for Ar	2 hPa-l/s
Gas throughput at final rotation speed for H ₂	> 14 hPa-l/s
Gas throughput at final rotation speed for He	8 hPa-l/s
Gas throughput at final rotation speed for N ₂	5 hPa-l/s
I/O interfaces	RS-485, Remote
Interfaces, extended	Profibus DeviceNet E74
Low oscillation	Yes
Mounting orientation	0° (HV flange top)
Permissible radial magnetic field max.	5.5 mT
Position of power supply pack	External power supply pack
Power consumption max.	180 W
Protection degree	IP44 Type 12
Pumping speed for Ar	255 l/s
Pumping speed for H ₂	220 l/s
Pumping speed for He	255 l/s
Pumping speed for N ₂	260 l/s
Rotation speed ± 2 %	60,000 rpm 60,000 min ⁻¹
Rotation speed variable	35 – 100 %
Run-up time	3.5 min
Sound pressure level	≤ 50 dB(A)
Type of electronic drive unit installation	Integrated electronic drive unit
Venting connection	G 1/8"
Weight	6.1 kg 13.45 lb

Order number	
HiPace® 300 Plus	PM P03 982

Accessories	
Adapters (electrical) Remote	
Housing for plug, spraywater-protected, 15-pole, D-Sub	P 0998 016
D-Sub mains power plug, 15-pin, straight outgoing cable	P 4723 110
D-Sub mains power plug, 15-pin, angled outgoing cable	P 4723 111
TCS 11, adapter for TC 110/120 with RS-485 interface	PM 061 636 -U
TCS 12, adapter for TC 110/120 with interface RS-485, 4 accessory ports and coupling set	PM 061 638 -U
TCS 13, adapter for TC 110/120 with interface RS-485, 2 accessory ports and coupling set	PM 061 856 -U
Adapters (electrical) RS-232/485	
Y-connector M12 for RS-485	P 4723 010
USB RS-485 converter	PM 061 207 -T
Coupling M12 for RS-485	PM 061 270 -X
Terminal resistor for RS-485	PT 348 105 -T
Power separator for RS-485	PT 348 132 -T
Cables Backing pump control cables	
Control cable for valve	PM 061 687 -T
HiPace – ACP connection cable	PM 071 142 -X
Cables Connection cables	
Connecting cable from 24V/48V power supply pack to electronic drive unit. With RS-485 interface	PM 061 350 -T
Connection cable with RS-485 interface and 2 accessory ports for TC110/120 to power supply pack	PM 061 351 -T
Connection cable with RS-485 interface and 3 accessory ports for TC110/120 to power supply pack	PM 061 512 -T
Connection cable for HiPace with TC 110/120	PM 061 543 -T
Connection cable incl. 2 accessory ports for TC 110/120 to power supply pack	PM 061 552 -T
Cables Extension cables	
Extension cable M8 on M8	PM 061 783 -T
Cables Mains cables / Power cords	
Mains cable 230 V AC, CEE 7/7 to C13, 3 m	P 4564 309 ZA
Mains cable 115 V AC, NEMA 5-15 to C13, 3 m	P 4564 309 ZE
Mains cable 208 V AC, NEMA 6-15 to C13, 3 m	P 4564 309 ZF
Cables RS-485 Interface cables	
Interface cable, M12 m straight / M12 m straight, 3 m	PM 061 283 -T
Interface cable, M12 m straight / M12 m angled, 0.7 m	PM 061 791 -T
Connections Connection kits for mounting of pumps	
Connection kit for mounting of pumps, DN 16 ISO-KF	120SWS016-1000
Control Devices Backing pump	
Relay box for backing pumps, single phase 20 A for TC 110/120 and TCP 350, plug M8	PM 061 373 -T
Relay box, shielded, for backing pumps, 1-phase 7A for TC 110/120 and TCP 350, plug M8	PM 071 282 -X

Accessories	
Control Devices Power supplies and control displays	
Accessories package for HPU 001/PC	PM 061 005 -T
TPS 180, power supply pack for wall/standard rail installation	PM 061 341 -T
TPS 181, power supply pack 19" plug-in unit 3HU	PM 061 345 -T
Front panel kit for TPS 181	PM 061 394 -T
OmniControl 001, rack unit without integrated power supply pack	PE D42 100 0
OmniControl 001 Mobile, control units	PE D22 000 0
OmniControl 200, rack unit with integrated power supply pack	PE D52 110 0
OmniControl 200, table unit with integrated power supply pack	PE E52 110 0
Cooling Air cooling	
Air cooling for HiPace 300/450 with TC 110/120	PM Z01 301
Air cooling for HiPace 300, 115 V	PM Z01 308
Air cooling for HiPace 300, 230 V	PM Z01 309
Cooling Water cooling	
Water cooling for HiPace 300 with push-in fitting 8 mm	PM 016 624 -T
Water cooling for HiPace 300 with 6 mm push-in fitting	PM 016 636 -T
Water cooling for HiPace 300 with tube fitting 1/4"	PM 016 637 -T
Water cooling for HiPace 300 with hose nozzle, 9.5 mm	PM 016 655 -T
Monitoring Pressure Sensors	
OmniControl 200, table unit with integrated power supply pack	PE E52 100 0
OmniControl 200 mit PKR 361, 40 CF	PT 440 957 -T
Mounting DN ISO-F, Mounting kits	
Mounting kit for DN 100 ISO-F, including coated centering ring, hexagon screws	PM 016 450 -T
Mounting kit for DN 100 ISO-F, including coated centering ring, splinter shield, hexagon screws	PM 016 451 -T
Mounting kit for DN 100 ISO-F, including coated centering ring, protective screen, hexagon screws	PM 016 452 -T
Mounting kit for DN 100 ISO-F, including coated centering ring, stud screws	PM 016 455 -T
Mounting kit for DN 100 ISO-F, including coated centering ring, splinter shield, stud screws	PM 016 456 -T
Mounting kit for DN 100 ISO-F, including coated centering ring, protection screen, stud screws	PM 016 457 -T
Mounting DN ISO-K/-F, sealings	
Centering ring with multifunction coating, DN 100 ISO-K/-F	PM 016 210 -U
Protection DN ISO-K/-F, sealings, splinter shields, protection screens	
Centering ring with multifunction coating and integrated splinter shield, DN 100 ISO-K/-F	PM 016 807 -U
Centering ring with multifunction coating and integrated protection screen, DN 100 ISO-K/-F	PM 016 212 AU
Protection Sealing gas throttles	
Sealing gas throttle for HiPace 300	PM Z01 317
Valves Fore-vacuum safety valves	
TVV 001, fore-vacuum safety valve, 230 V AC	PM Z01 205
TVV 001, fore-vacuum safety valve, 115 V AC	PM Z01 206

Accessories	
Valves Isolation valves	
HV gate valve, DN 100 ISO-F, electro-pneumatic, PI (RS)/PV 24 V DC, SS/FKM	GVP-S08342
Valves Sealing gas valves, shielded (normally closed)	
Sealing gas valve, shielded for HiPace 300 with TC 110/120	PM Z01 311
Venting Power failure venting units (normally open)	
Shielded power failure venting unit, 24 V DC, G 1/8", for connection to TC 110/120	PM Z01 330
Venting Venting accessories	
Flange with pipe thread, DN 16 ISO-KF, G 1/8"	PM 016 780 -T
Push-in fitting for 6 mm tube, G 1/8"	PM 016 781 -T
Push-in fitting for 8 mm tube, G 1/8"	PM 016 782 -T
Hose nozzle for 9 mm hose, G 1/8"	PM 016 783 -T
Banjo fitting	PM 016 787 -T
Screw-in flange, DN 10 ISO-KF, G 1/8"	PM 033 737 -T
Banjo fitting, small	PM 143 877 -T
TTV 001, Drier for venting turbopumps	PM Z00 121
Venting Venting valves (normally closed)	
Venting valve, shielded, 24 V DC, G 1/8", for connection to TC 110/120	PM Z01 290
Venting valve, 24 V DC, G 1/8" without cable	PM Z01 293
Vibration Reduction Vibration dampers	
Vibration damper for HiPace 300/400, DN 100 ISO-K/F	PM 006 459 AX
Vibration Reduction Vibration isolators	
Vibration isolator for DN 100 ISO-F/K	PM 016 600 -U

VACUUM SOLUTIONS FROM A SINGLE SOURCE

Pfeiffer Vacuum stands for innovative and custom vacuum solutions worldwide, technological perfection, competent advice and reliable service.

COMPLETE RANGE OF PRODUCTS

From a single component to complex systems:

We are the only supplier of vacuum technology that provides a complete product portfolio.

COMPETENCE IN THEORY AND PRACTICE

Benefit from our know-how and our portfolio of training opportunities!

We support you with your plant layout and provide first-class on-site service worldwide.

Are you looking for a
perfect vacuum solution?
Please contact us:

Pfeiffer Vacuum GmbH
Headquarters · Germany
T +49 6441 802-0
info@pfeiffer-vacuum.de

www.pfeiffer-vacuum.com

All data subject to change without prior notice.

PFEIFFER  **VACUUM**