

Figure 8 - E2M40 major sub-assemblies

(A) E2M40 Gas ballast valve sub-assembly

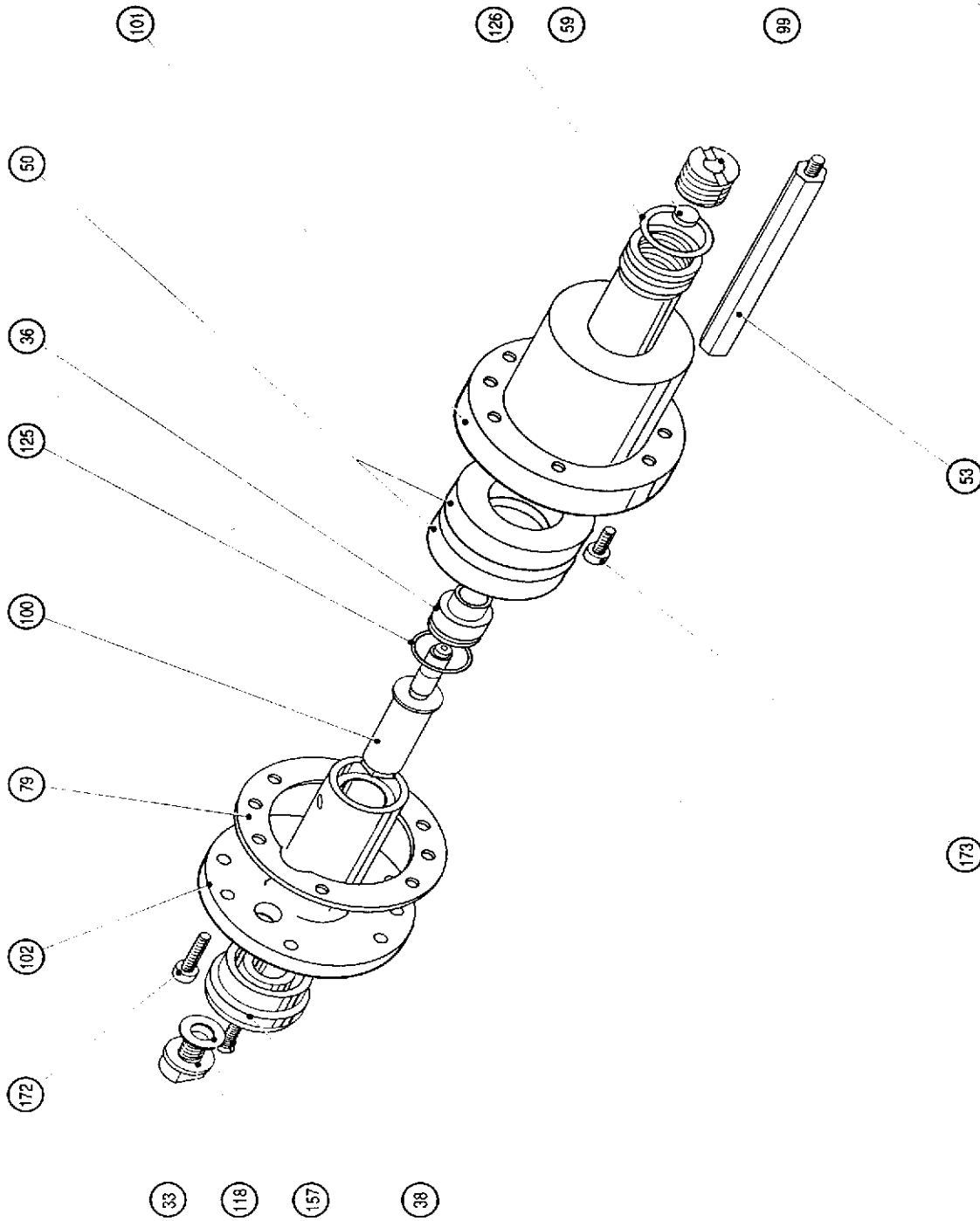


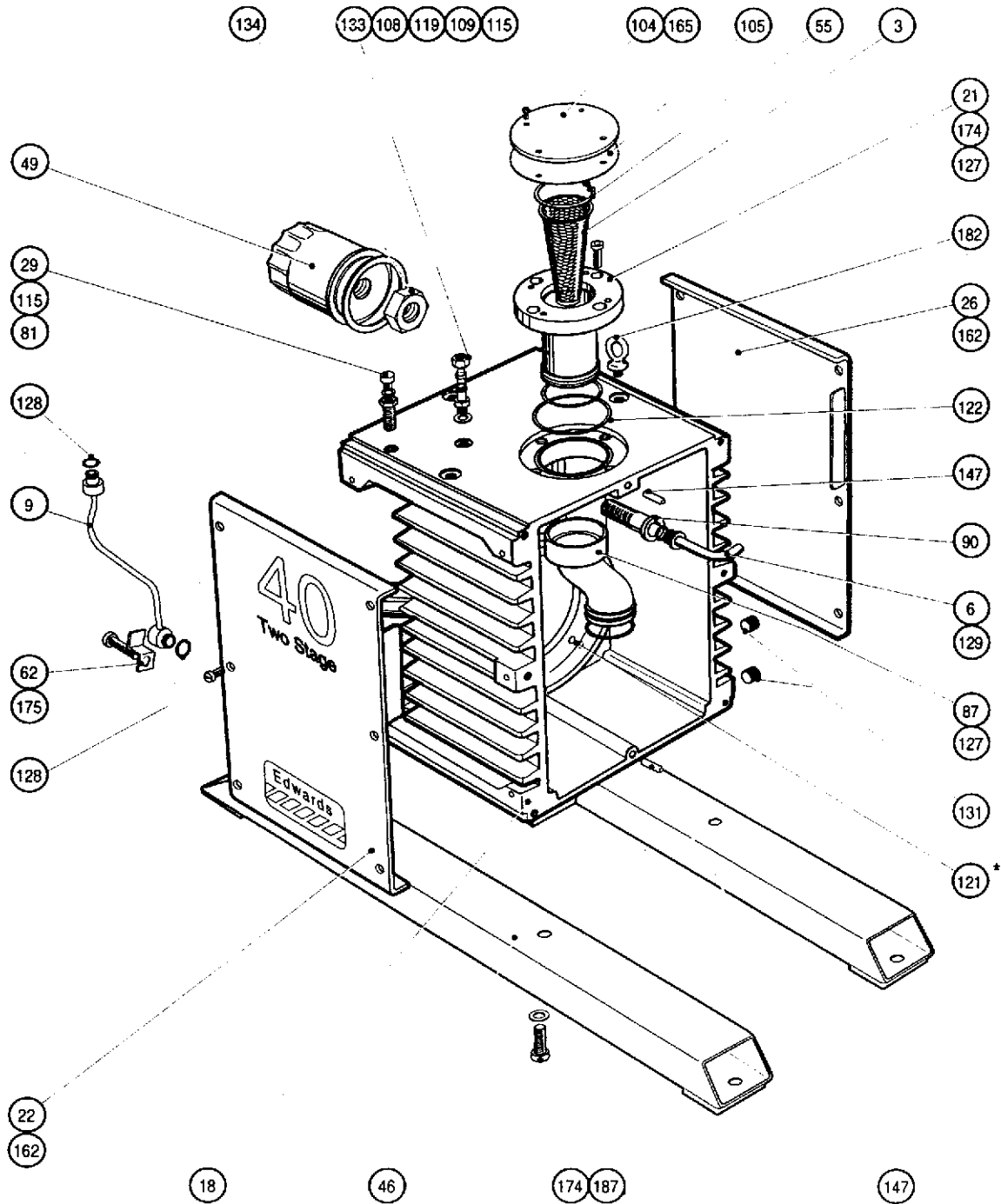
Figure 9 - (A) E2M40 Gas ballast valve sub-assembly

ITEM	DESCRIPTION	CODE No.	QTY.
33	Plug 1/4inch BSP	A26002018	1
36	Ballast piston	A19201007	1
38	Ballast knob	A19201013	1
50	Ballast filter	A22305041	2
53	Support pillar	A22404006	2
59	Ballast valve	A25904601	1
79	Body gasket	A27159428	1
99	Ballast plug	A36601034	1
100	Ballast spindle	A36601036	1
101	Ballast valve body	A34401008	1
102	Ballast valve bearing	A34401009	1
118	Dowty seal - 1/4inch BSP	H02104002	1
125	'O' ring 7/16inch i/d x 3/32inch sect.	H02125011	1
126	'O' ring 3/4inch i/d x 3/16inch sect.	H02126020	1
157	C'sk hd. scr. M4 x 16 lg.	218032290	1
172	Soc. hd. cap scr. M6 x 16 lg.	218091370	6
173	Soc. hd. cap scr. M6 x 20 lg.	218091371	2

Reference: EHVI General Arrangement drawing A36401000 (issue ZW - six sheets)

Table 8 - E2M40 Gas ballast valve sub-assembly items

(B) E2M40 Adaptor sub-assembly



* Used on item 15 (ref. Figure 13)

Figure 10 - (B) E2M40 Adaptor sub-assembly

ITEM	DESCRIPTION	CODE No.	QTY.
3	Filter assy. (inlet)	A22305035	1
6	Tube assy. (oil return)	A27879001	1
9	Tube assy. (oil pressure)	A27879009	1
18	Adaptor	A36401032	1
21	Inlet flange	A36401024	1
22	Side panel (left-hand)	A36401015	1
26	Side panel (right-hand)	A36401016	1
29	Plug - 1/8inch BSP	A01403074	1
46	Base runner	A20499019	2
49	Filter	A22304041	1
55	Circlip	A22426004	1
62	Clamp (oil pressure line)	A25970036	1
81	1/8inch BSP socket	A27911003	1
87	Inlet connection	A36501009	1
90	Filter outlet	A36501013	1
104	Protective cover	B21023019	1
105	Dust cover	B21024001	1
108	Blind tailpiece	C11001062	1
109	Adaptor - sc5mm x 1/8inch BSP	C11001180	1
115	Dowty seal - 1/8inch BSP	H02104001	2
119	'O' ring 5.6mm i/d x 2.4mm sect.	H02120027	1
121	'O' ring 12.42mm i/d x 1.78mm sect. Fluoro	H02124119	1
122	'O' ring 61.6mm i/d x 2.4mm sect.	H02120057	1
127	'O' ring 1 7/8inch i/d x 3.16inch sect.	H02125044	2
128	'O' ring 3/16inch i/d x 3/32inch sect.	H02125115	2
129	'O' ring 5/16inch i/d x 3/32inch sect.	H02125116	1
131	1/4inch BSP hollow taper pressure plug	H03517003	2
133	Union nut - 3/8inch BSP	M03400008	1
134	Locknut - 3/4inch x 16UNF ms. ni. pl.	216814314	1
147	Spring pin - Ø8 x 24 lg.	212170186	2
162	Pan hd. scr. ss M5 x 10	218221328	12
165	Hex hd. scr. M8 x 12 lg.	218072409	2
174	Soc. hd. cap scr. M8 x 20 lg.	218091411	8
175	Soc. hd. cap scr. M8 x 25 lg.	218091412	1
182	Eyebolt - M12	218790005	2
187	Plain washer	218980210	4

Reference: EHVI General Arrangement drawings A36401000 (issue ZW - six sheets)

Table 9 - E2M40 Adaptor sub-assembly items

(C) E2M40 Oil distributor sub-assembly

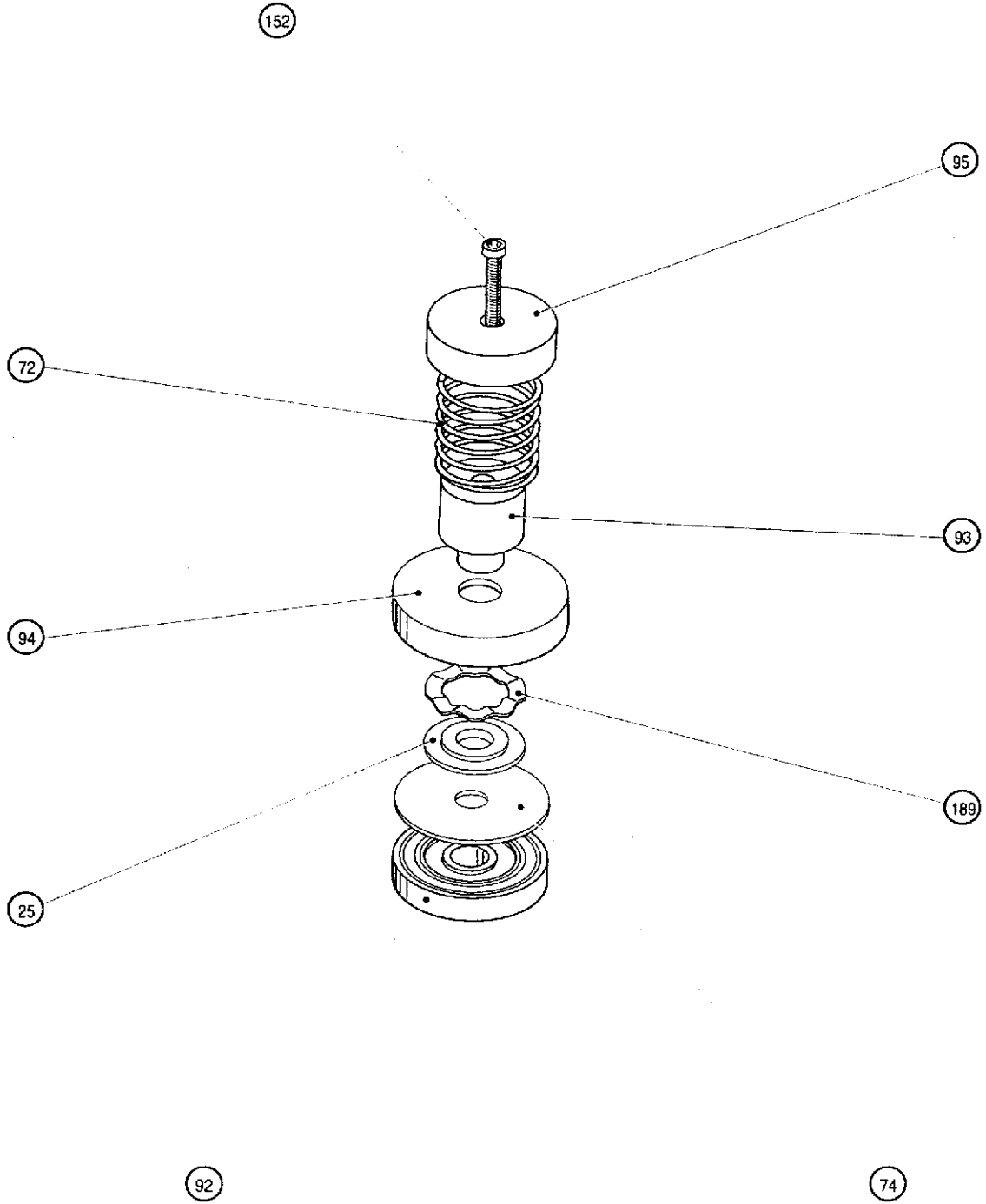


Figure 11 - (C) E2M40 Oil distributor sub-assembly

ITEM	DESCRIPTION	CODE No.	QTY.
25	Distributor weight	A34301037	1
72	Spring	A27102013	1
74	Rubber seal	A27159415	1
92	Distributor body	A36501015	1
93	Distributor sleeve	A36401019	1
94	Cap	A36401028	1
95	Spacer	A36401029	1
152	Hex hd. scr. ms. ni. pl. M5 x 60 lg.	218002339	1
189	Waved washer	218990201	1

Reference: EHVI General Arrangement drawings A36401000 (issue ZW - six sheets)

Table 10 - E2M40 Oil distributor sub-assembly items

ITEM	DESCRIPTION	CODE No.	QTY.
19	Oil box	A36401038	1
31	Filler plug - 1inch BSP	A26002022	1
39	Label	A20001063	1
45	Sight glass bezel	A20416002	1
69	Sight glass seal	A26501012	1
71	Spray baffle	A25976033	1
78	Oil box gasket	A27159629	1
82	Ball valve - 1/2inch BSP	A28702003	1
83	Sight glass	A29201006	1
114	Redcap - 1/2inch BSP	H01503333	1
116	Dowty seal - 1inch BSP	H02104008	1
146	Rivet	211430301	4
169	Soc. hd. cap scr. M5 x 16 lg.	218091330	8
171	Soc. hd. cap scr. M6 x 12 lg.	218091369	3
178	Soc. hd. cap scr. M8 x 70 lg.	218091416	6
188	Rect. sect. s/coil spring washer M8	218985810	6
191	Hazard warning label	A20001084	1

Reference: EHVI General Arrangement drawings A36401000 (issue ZW - six sheets)

Table 11 - E2M40 Oil box sub-assembly items

(E) E2M40 HV stator sub-assembly

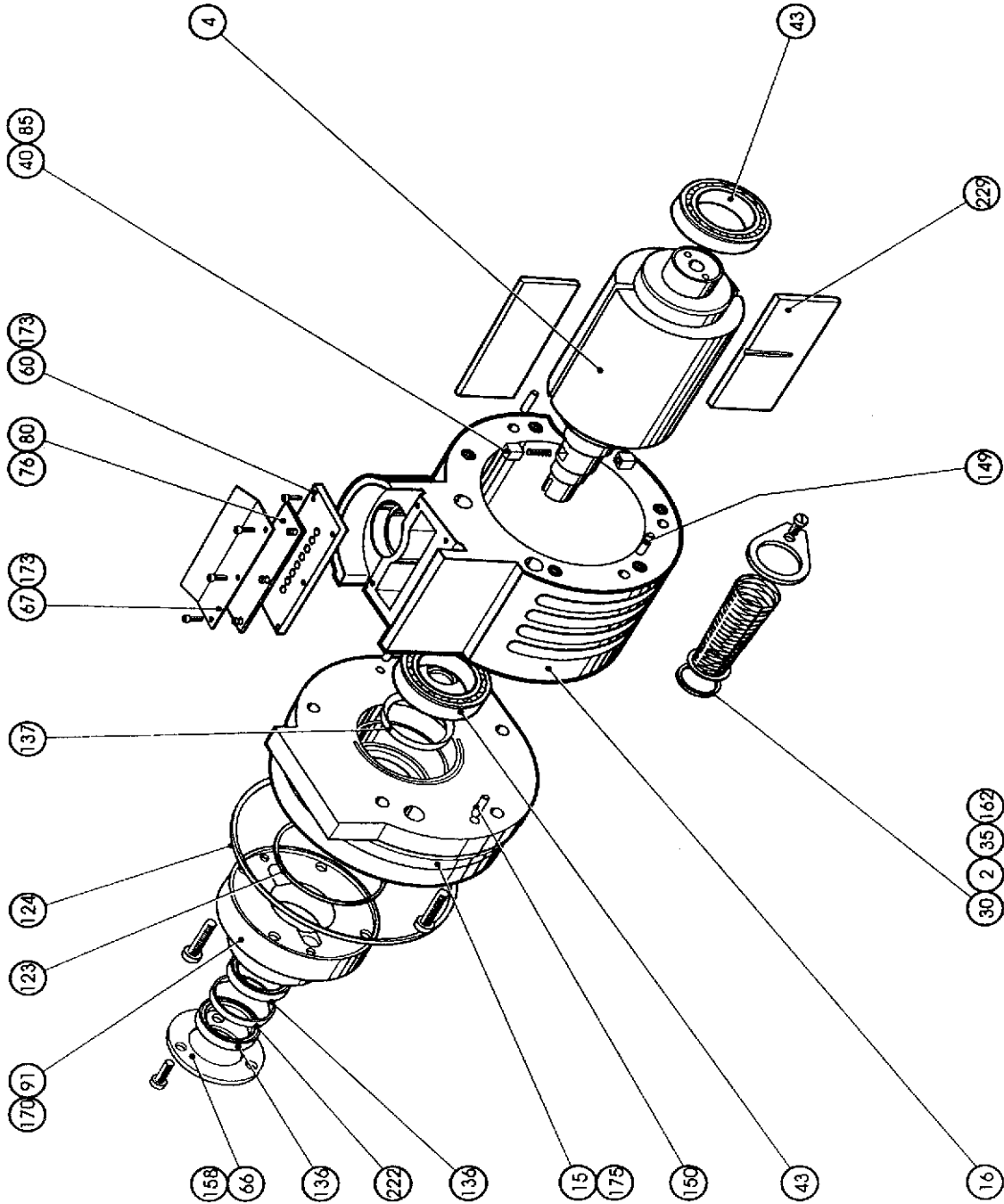


Figure 13 - (E) E2M40 HV stator sub-assembly

ITEM	DESCRIPTION	CODE No.	QTY.
2	Filter assy. (oil)	A22305050	1
4	Rotor - High Vac.	A26401070	1
15	Front bearing	A36401001	1
16	High Vac. stator	A36401002	1
30	Filter seal	A01403030	1
35	Clamp plate	A36401031	1
40	Oil pump blade	A20402418	2
43	Roller bearing	A20404011	2
60	Exhaust cover plate	A25942008	1
66	Seal retainer	A25971002	1
67	Exhaust valve plate	A25976006	1
76	Exhaust valve rubber	A27159514	1
80	Exhaust valve spacer	A27804004	3
85	Spring	A27102024	1
91	Oil pump housing	A36501014	1
123	'O' ring 64.5mm i/d x 3.0mm sect.	H02120082	1
124	'O' ring 139.5mm i/d x 3.0mm sect.	H02120097	1
136	Oil seal	H02109094	2
137	Oil seal	H02109064	1
149	Taper pin Ø8 x 36 lg.	212192021	2
150	Taper pin Ø8 x 60 lg.	212192026	2
158	C sk. hd. scr M5 x 10 lg.	218032328	3
162	Pan hd. scr. ssM5 x 10 lg.	218221328	1
170	Soc hd. cap scr. M5 x 25 lg.	218091332	4
173	Soc hd. cap scr. M6 x 20 lg.	218091371	5
175	Soc hd. cap scr. M8 x 25 lg.	218091412	5
205	Spiroseal	H02109065	1
206	Positive action shaft seal	H02109075	1
222	Aluminium spacer	A26426001	1
229	High Vac. blade	A20402626	2

Reference: EHVI General Arrangement drawing A36401000 (issue ZW - six sheets)

Table 12 - E2M40 HV stator sub-assembly items

(F) E2M40 LV stator sub-assembly

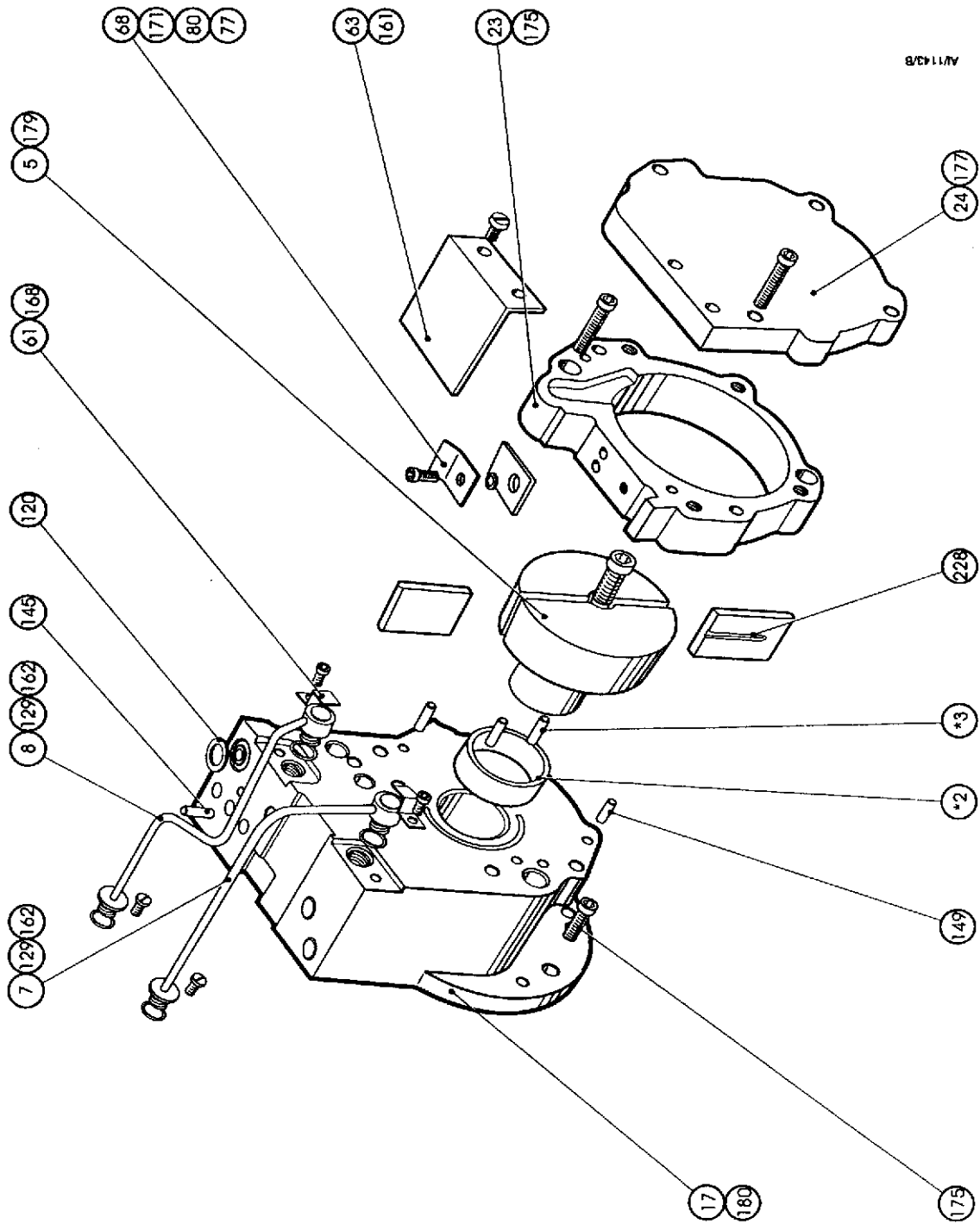


Figure 14 - (F) E2M40 LV stator sub-assembly

ITEM	DESCRIPTION	CODE No.	QTY.
5	Low Vac. rotor assy.	A26401040	1
7	Tube assy. (ballast)	A34401007	1
8	Tube assy. (oil delivery)	A34401006	1
17	Interstage	A36401030	1
23	Low Vac. stator	A36401012	1
24	End cover	A36401013	1
61	Clamp (oil delivery line)	A25970035	2
63	Low Vac. exhaust baffle	A25970038	1
68	Low Vac. exh. plate	A25976007	1
77	Low Vac. exh. valve rubber	A27159515	1
80	Exh. valve spacer	A27804004	1
120	'O' ring 9.6mm i/d x 2.4mm sect.	H02120031	1
129	'O' ring 5/16inch i/d x 3/32inch sect.	H02125116	4
145	Spring pin Ø 1/4inch x 1/2inch lg.	211174099	1
149	Taper pin Ø8 x 36 lg.	212192021	2
161	Pan hd. scr. M4 x 8 lg.	218042287	2
162	Pan hd. scr. ssM5 x 10 lg.	218221328	2
168	Soc hd. cap scr. M5 x 10 lg.	218091328	2
171	Soc hd. cap scr. M6 x 12 lg.	218091369	1
175	Soc hd. cap scr. M8 x 25 lg.	218091412	7
177	Soc hd. cap scr. M8 x 50 lg.	218091417	4
179	Soc hd. cap scr. M10 x 30 lg.	218091453	1
180	Soc set scr. cup pt. M10 x 12 lg.	218121449	1
228	Low Vac. blade	A20402624	2

Reference: EHVI General Arrangement drawing A36401000 (issue ZW - six sheets)

Table 13 - E2M40 LV stator sub-assembly items

ITEM	DESCRIPTION	CODE No.	QTY.
1	Low vac rotor	A26402002	1
2	Inner ring	A20405010	1
3	Heavy duty spring pin Ø4 x 18mm lg.	212170758	2

Reference EHVI drawing A26401040 (issue C - one sheet)

Table 13a - E2M40 LV rotor sub-assembly items

ITEM	DESCRIPTION	CODE No.	QTY.
20	Motor mounting	A36401008	1
32	E2M40 Motor - see Table 1b	-----	1
48	Fan	A22301003	1
56	Key - 8 x 7 x 20 lg.	A24301008	1
139	Flexible component	A21071033	1
140	Coupling flange	A21071037	1
141	Coupling flange	A21071038	1
142	Taper lock bush	A21071039	2
148	Parallel dowel - Ø8 x 24 lg.	212181076	2
168	Soc. hd. cap scr. M5 x 10 lg.	218091328	3
175	Soc. hd. cap scr. M8 x 25 lg.	218091412	4
176	Soc. hd. cap scr. M8 x 40 lg.	218091415	4
192	Electrical warning label	E20001063	1
193	Direction label	A20001085	1

Reference: EHVI General Arrangement drawings A36401000 (issue ZW - six sheets)

Table 14 - E2M40 Motor plate sub-assembly items